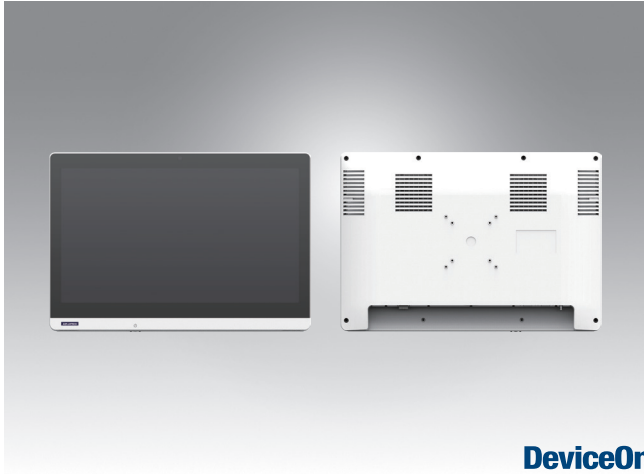


POC-824 Preliminary

24吋医疗级边缘AI一体机，搭载 Intel 第13代 CPU 及 NVIDIA GPU



特点

- Intel 第13代 Core i7-13700E CPU
- 23.8英寸全高清显示屏，多点触控电容屏
- MXM 模块 A2000 / A4500，可支持高阶显卡
- 前面板IP65 等级防水防尘
- 符合医疗IEC/UL 60601-1 规范
- 可选 Wi-Fi, 蓝牙, RFID 和摄像头
- 可选配备研华DeviceOn/iService远程设备管理软件
- 双PCIe插槽，用于图形和附加卡扩展



简介

POC-824配备了集成SSD，便于实时数据处理和存储。它还支持MXM图形模块和附加卡，如数据采集、高端图形应用程序的I/O扩展。POC-8终端符合IEC 60601-1电气设备医疗安全标准，可在各种医疗环境中可靠运行。

此外，POC-824可选内置配备了研华的DeviceOn/iService软件，这是基于WISE DeviceOn平台的新一代统一设备管理解决方案。DeviceOn/iService支持批处理操作和多设备控制，可轻松配置和部署设备，方便远程设备管理。

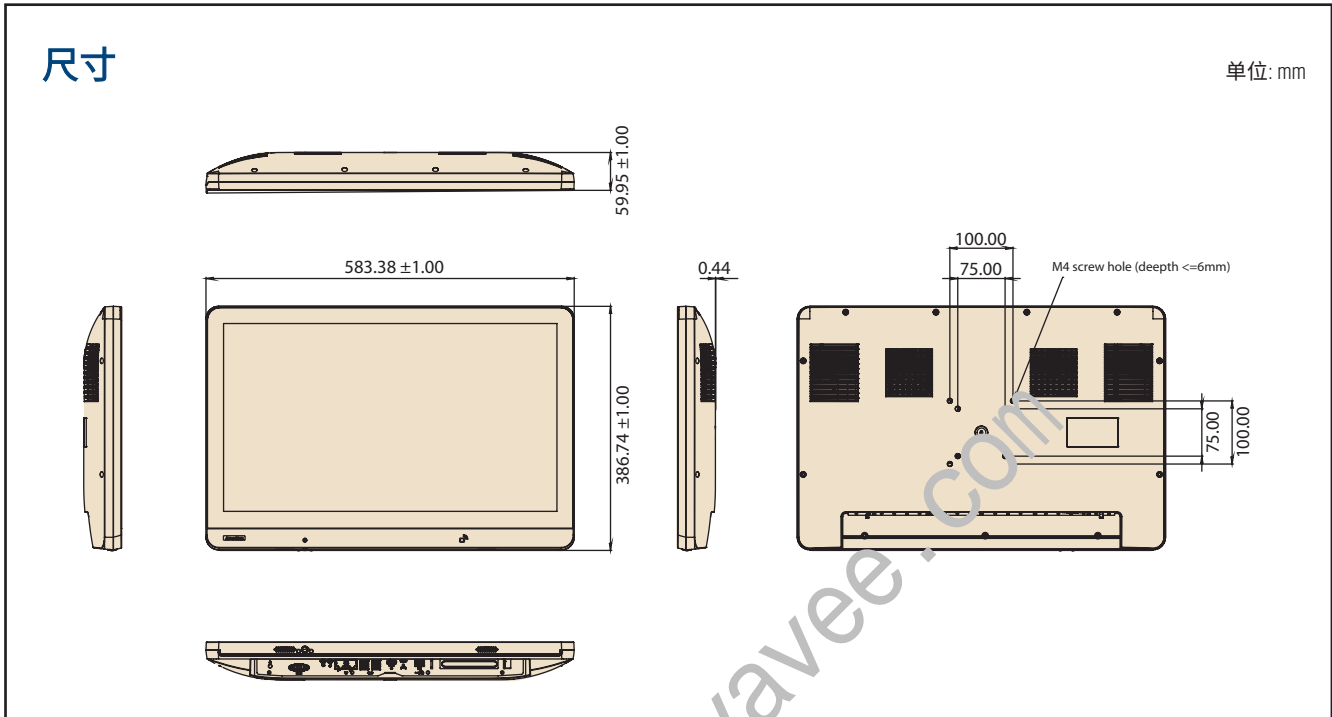
规格

计算机系统	CPU*	Intel® Core™ i7-13700E 处理器, 16 Core, 1.9GHz (24M Cache, 高达 5.10 GHz)
	内存	支持 DDR5 内存 高达64GB (可选支持ECC)
	操作系统 (可选)	Windows 10 IoT / Windows 11 IoT(TBD) / Linux (依需求) 仅64 bits
存储	主存	支持 NVMe M.2 2280 SSD (up to 2TB)
	辅助存储 (可选)	支持 2.5" SATA SSD (up to 2TB)
显示	尺寸	23.8"
	最大分辨率	1920 x 1080 Full HD
触控	类型	十点触控电容屏(透明玻璃,可选抗反射防眩玻璃)
显卡	MXM 采集模组 (可选)	NVIDIA A2000 (8GB) 或 A4500(16GB) MXM MSH mode module
I/O 接口	DC In	x 1
	USB 3.2 Type A	x 4
	USB 3.2 Type C	x 1 (带显示功能/DP ALT模式)
	HDMI	x 1
	LAN (Isolation 1.5 KV)	x 2
	耳机	x 1
	麦克风	x 1
	COM (RS232) (Isolation 1.5 KV)	x 1
扩展槽	PCIe x 16	x 1 (该插槽为MXM图形模块预留)
	PCIe x 4	x 1 (最大卡长度: 167.65mm/6.6")
	M.2 2280	x 1 (用于NVMe M.2 SSD主存储)
	M.2 2230	x 1 (用于Wi-Fi/蓝牙模块)
其他功能	扬声器	x 2 (2W)
	摄像头 (可选)	500万像素摄像头可用
	TPM	2.0 (默认)
电源输入	DC	DC input 24V (Adapter 100~240V/AC, max. 300W)
IP 等级	前面板	IP65
身份认证解决方案	RFID (可选)	模块可选
认证	EMC & 安全认证	Medical CE, FCC
		Medical, IEC 60601-1 Compliance (MDR)
		UL 60601-1 CCC
外观	尺寸 (W x H x D)	583.38 x 386.74 x 59.95mm (22.97" x 15.23" x 2.36")
	VESA 安装	100 x 100; 75 x 75 mm
	重量	7.9kg (17.42 lbs)
环境	温度	操作温度: 0° C ~ 35° C 存储稳定: 0° C ~ 50° C
	保固	整机: 3 年

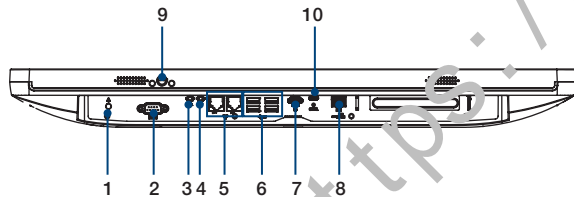
*Other CPUs supported by project. For details, please contact the sales team.

尺寸

单位: mm



I/O 接口



- | | |
|---------------------|-----------------------------|
| 1. 等电位端子引脚 | 6. 4 x USB 3.2 Gen 2 Type A |
| 2. COM Port (RS232) | 7. HDMI |
| 3. 耳机 | 8. DC-In |
| 4. 麦克风 | 9. 电源键 |
| 5. 2 x LAN Ports | 10. USB 3.2 Gen 2 Type C |

CTOS 服务

裸机料号

料号	描述	屏幕尺寸	CPU	RAM	触摸类型	SSD
POC-824-12B010-CA	POC-824 Corei7/P-cap/ w/o RAM, SSD, MXM	23.8"	i7-13700E	NA	P-CAP	NA
1970005856T001	(CPU Thermal Module) C.L R4 Intel.-Alder Lake-S 65W 244.7x242.68x27.4	----	----	----	----	----

MXM GPU 卡(W/ MXM GPU 卡 , MXM 载板和 MXM 热模组)

料号	描述	GPU 模式	内存
POC-MXM-102-8A	POC-821/824 MXM A2000 package	A2000	8GB
POC-MXM-104-8A	POC-821/824 MXM A4500 80W package	A4500	16GB

内存

料号	描述
262pin SO DIMM 4800 - Non ECC	
SQR-SD5N8G4K8SNGBB	262pin SODIMM DDR5 4800 8GB 1.1v 1Gx16 (0-85°C)
SQR-SD5N16G4K8SNBB	262pin SODIMM DDR5 4800 16GB 1.1v 2Gx8 (0-85°C)
SQR-SD5N32G4K8SNBB	262pin SODIMM DDR5 4800 32GB 1.1v 2Gx8 (0-85°C)
SQR-SD5I8G4K8SNGBB	262pin SODIMM DDR5 4800 8GB 1.1v 2Gx8 (-40-95°C)
SQR-SD5I16G4K8SNBB	262pin SODIMM DDR5 4800 16GB 1.1v 2Gx8 (-40-95°C)
SQR-SD5I32G4K8SNBB	262pin SODIMM DDR5 4800 32GB 1.1v 2Gx8 (-40-95°C)
262pin SO DIMM 5600 - Non ECC	
SQR-SD5N16G5K6HNAB	262pin SODIMM DDR5 5600 16GB 1.1v 2Gx8 (0-95°C)
SQR-SD5N32G5K6HNAB	262pin SODIMM DDR5 5600 32GB 1.1v 2Gx8 (0-95°C)
SQR-SD5N8G5K6SNGPB	262pin SODIMM DDR5 5600 8GB 1.1v 1Gx16 (0-95°C)
SQR-SD5N16G5K6SNPB	262pin SODIMM DDR5 5600 16GB 1.1v 2Gx8 (0-95°C)
SQR-SD5N32G5K6SNPB	262pin SODIMM DDR5 5600 32GB 1.1v 2Gx8 (0-95°C)
262pin SO DIMM 4800 - ECC	
SQR-SD5N16G4K8SEBB	262pin ECC SODIMM DDR5 4800 16GB 1.1v 2Gx8 (0-85°C)
SQR-SD5N32G4K8SEBB	262pin ECC SODIMM DDR5 4800 32GB 1.1v 2Gx8 (0-85°C)
262pin SO DIMM 5600 - ECC	
SQR-SD5N32G5K6SEPB	262pin ECC SODIMM DDR5 5600 32GB 1.1v 2Gx8 (0-95°C)

NVME M.2 SSD Storage

料号	描述
SQF-C8MV2-256GDEDM	SQF PCIe/NVMe M.2 2280 OPAL 720-D 256G 3D TLC BiCS5 (-20-85°C)
SQF-C8MV2-512GDEDM	SQF PCIe/NVMe M.2 2280 OPAL 720-D 512G 3D TLC BiCS5 (-20-85°C)
SQF-C8MV4-1TDEDM	SQF PCIe/NVMe M.2 2280 OPAL 720-D 1T 3D TLC BiCS5 (-20-85°C)
SQF-C8MV4-2TDEDM	SQF PCIe/NVMe M.2 2280 OPAL 720-D 2T 3D TLC BiCS5 (-20-85°C)
SQF-C8BV2-256GDEDM	SQF PCIe/NVMe M.2 2280 OPAL 720-D 256G 3D TLC BiCS5 (-20-85°C)
SQF-C8BV2-512GDEDM	SQF PCIe/NVMe M.2 2280 OPAL 720-D 512G 3D TLC BiCS5 (-20-85°C)
SQF-C8BV4-1TDEDM	SQF PCIe/NVMe M.2 2280 OPAL 720-D 1T 3D TLC BiCS5 (-20-85°C)
SQF-C8BV4-2TDEDM	SQF PCIe/NVMe M.2 2280 OPAL 720-D 2T 3D TLC BiCS5 (-20-85°C)

2.5" SSD 存储

料号	描述
SQF-S25V1-128GDSDC	SQF 2.5" SSD 650 128G 3D BiCS5 (0-70°C)
SQF-S25V1-256GDSDC	SQF 2.5" SSD 650 256G 3D BiCS5 (0-70°C)
SQF-S25V2-512GDSDC	SQF 2.5" SSD 650 512G 3D BiCS5 (0-70°C)
SQF-S25V4-1TSDC	SQF 2.5" SSD 650 1T 3D BiCS5 (0-70°C)
AMF-S25V2-256DSDC	AMF 2.5" SATA SSD SP111-D 256G 3D TLC (BiCS5) (0-70°C)
AMF-S25V4-512DSDC	AMF 2.5" SATA SSD SP111-D 512G 3D TLC (BiCS5) (0-70°C)
AMF-S25V4-1TDSDC	AMF 2.5" SATA SSD SP111-D 1T 3D TLC (BiCS5) (0-70°C)

*Note: Additional materials listed under "2.5" SSD mounting kit" for 2.5" SSD installation


2.5" SSD 安装

料号	描述	数量
1960098903N001	2.5" SSD Bracket	1
1940003234	Gasket	1
19330304A0	Screw	8
2130022205T000	Sponge	1
1700024977-21	SATA cable	1
1700022355-21	Power cable	1

Wi-Fi + 蓝牙模组

料号	描述
EWM-W165M201E	Intel AX210 6E 802.11ax + BT5.2 M.2 2230 No.Vpro

推荐安装

产品	ARES-2423R
料号	ARES-2423R-A741L00
照片	
支持重量	6 - 12kg
支持屏幕尺寸	≤ 27"
VESA 信息	75 x 75 mm 100x100 mm

For more information, please click this link: <https://bit.ly/3T7dLMR>

DeviceOn

Unified Remote Device Management Software



Features

- Supports Advantech devices equipped with Windows, Android, and Linux OS
- Flexible device, location, user, and permissions management
- Enables remote monitoring and control of hardware, software, and peripherals
- Supports over-the-air (OTA) firmware and software updates
- Ensures quick, easy, and secure device onboarding
- RESTful APIs for third-party system integration

Introduction

Advantech's DeviceOn is a next-generation unified device management solution based on the WISE-DeviceOn platform. Designed to enable centralized monitoring and remote management, DeviceOn supports Advantech devices equipped with Windows, Linux, or Android operating systems. The software also supports the management of applications and integrated peripherals, such as a barcode scanner, card reader, camera, and printer. Users can remotely access and control connected devices, take screenshots, rollout OTA upgrades, and use remote desktop capabilities for troubleshooting from any location at any time. Moreover, DeviceOn supports batch operations to facilitate the management of multiple devices simultaneously for easy and convenient device configuration and deployment.

Total Management



Devices & Hardware

- Windows, Linux, Android
- Hardware, storage, battery



Software & Peripherals

- Software monitoring & access
- Screens, USB devices, printers



Open for Expansion

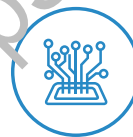
- Peripheral integration
- Open APIs for integration

Remote Access



Real-Time Monitoring

- Connection/hardware status
- Software/peripheral status
- Failure notifications



Remote Controls

- Power controls
- Audio, backlight controls
- Software controls



Troubleshooting

- Screenshots
- Remote desktop support

Operational Efficiency



OTA updates

- System/software updates
- File repository management
- App store



Batch Controls

- 1-to-many batch reboot, etc.
- Time-saving tasks

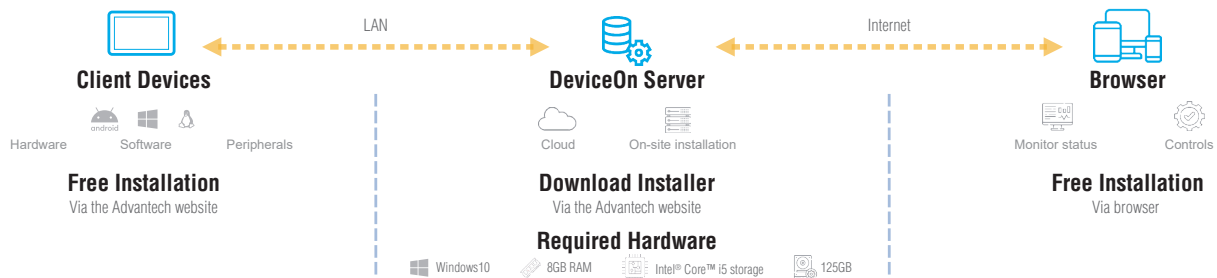


Setup Booster

- Software/peripheral watchlist
- Roles, rule templates

Note: Some functions may vary according to the product

System Architecture



DeviceOn Specifications

DeviceOn Remote Device Management	Operating System	Windows 10
	Common Controls (Reboot, Shutdown)	✓
	Remote desktop	✓ (VNC)
	Device-Specific Controls (Audio, Backlight)	✓*
	Connection Status	✓
	Hardware Status	✓*
	Hard Disk Status	✓*
	Batch Operation Support	✓
	OTA Storage Management	FTP
	OTA Software Updates	✓
	Software Watchlist	✓
	Software Start/Stop	✓*
	Peripherals Watchlist	✓*
	* Dependant on device model	

Note:

1. DeviceOn software must be downloaded from the Advantech website at <https://www.advantech.com/search?q=DeviceOn%2FiService&st=support&sst=Utility>

<https://advavee.com>