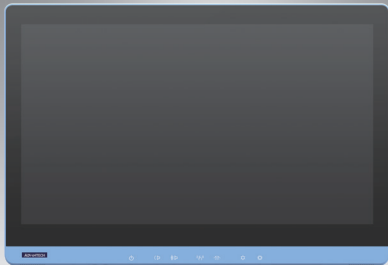


# POC-621

## 21" Point-of-Care Terminal with 11th Generation Intel® Processor



DeviceOn

### Features

- 11th generation Intel® Core™ i5/i7 processor
- 21.5" full HD display with multi-touch P-CAP control
- Multiple I/O, including USB 3.2 Gen 2 (Type A), USB 3.2 Gen 2 (Type C) with display function, and HDMI
- PCIe x4, mini PCIe, M.2 expansion slots for integrating add-on modules
- Fanless design with IP54-rated protection for superior hygiene and infection control
- Optional Wi-Fi, Bluetooth, RFID, smart card reader, Li-ion battery pack, and auto-focus 5 megapixel camera
- Optional hot-swapping battery module with up to 180Wh capacity for mobile applications
- Equipped with DeviceOn software for remote device management



### Introduction

POC-621 is equipped with an integrated NVMe SSD that facilitates real-time data processing and storage. Compliant with IEC 60601-1 medical safety standards for electrical devices, POC-6 terminals are built for reliable operation in a wide range of healthcare environments. Moreover, POC-621 is equipped with Advantech's DeviceOn software, which is a next-generation unified device management solution based on the WISE-DeviceOn platform. With support for batch operations and multi-device control, DeviceOn enables easy device configuration and deployment for convenient remote device management.

### Specifications

System	Processor*	Intel® Core™ i7-1185G7 (12M cache, up to 4.40 GHz) Intel® Core™ i5-1145G7 (8M cache, up to 4.10 GHz)
	Memory (optional)	DDR4 (supports up to 32GB DDR4 SODIMM)
	Operating System (optional)	Windows 10 IoT Ent (64 bits only), Linux (supported upon request)
Storage	Primary Storage (optional)	NVMe SSD (M.2 2280)
	Secondary Storage (optional)	2.5" SATA SSD available (choose either 2.5" SSD or backup battery)
Display	Size	21.5 inch
	Max. Resolution	1920 x 1080
Touch	Type	10-point multi touch P-CAP (clear glass); optional AG/AR support upon request
I/O	USB 3.2 Gen 2 (Type A)	2
	USB 3.2 Gen 2 (Type C)	1 (with display function)
	USB 2.0 Type A	2
	HDMI	1
	LAN isolation, 1.5KV	2
	Mic-In/ Headphone Out	1/1
Expansion Slots	COM (RS-232) 5KV	2
	PCIe x4**	1 (card length: 167.65 mm/6.6 in Max)
	M.2 2230	1 (for Wi-Fi/Bluetooth module)
Other Functions	Mini PCIe	1 (full size)
	Speaker	2 x 2W
	LED Book Light	2
	Camera	1 x 5 megapixel (optional)
Power Input	TPM 2.0	2.0 (default via fTPM –Firmware TPM)
	DC/AC	DC model: 19V, max. 150W/AC model: 100 – 240V, max. 250W (choose either DC or AC model)
IP Rating	Front Panel	IP65
	System	IP54
Authentication Solution (Choose 1)	RFID Reader	Optional (choose either RFID or smart card reader)
	Smart Card Reader	Optional (choose either RFID or smart card reader)
Battery Solutions (Choose 1)	Backup Battery**	Optional (choose either 1 backup battery or PCIe x4)
	Hot-Swapping Battery Module	Optional with 2 x batteries (choose either backup battery or battery module)
Certification	EMC & Safety	Medical CE, FCC (IEC 60601-1-2, 4th edition) EN 60601-1 Compliance
	Dimensions (W x H x D)	524 x 357 x 62 mm/20.63 x 14.06 x 2.44 in
Physical Characteristics	VESA Mount	100 x 100; 75 x 75
	Weight	6.29 kg/13.86 lb
	Operating Temperature	0 – 35 °C/32 – 95 °F
Environment	Storage Temperature	0 – 50 °C/32 – 122 °F
	System	3 years
Warranty	Battery Pack	1 year or capacity 70% and 300 cycles (whichever happens first)

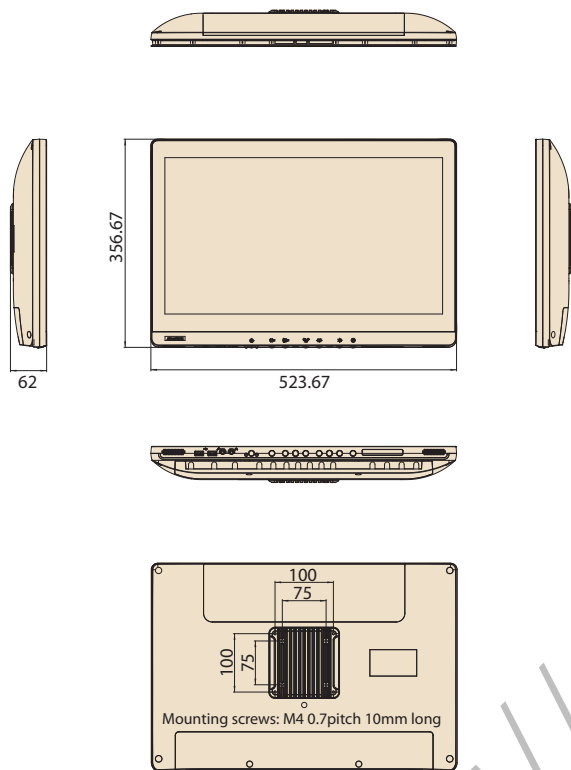
\*Intel® Celeron® processor available upon request.

\*\*Either PCIe x4 or backup battery can be chosen.

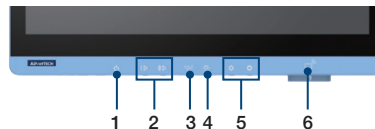
\*\*\*If backup battery is chosen, neither a 2.5" SSD nor battery module can be installed.

## Dimensions

Unit: mm

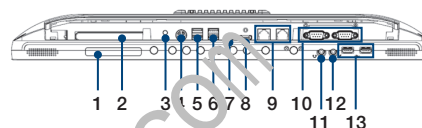


## Front Function Keys



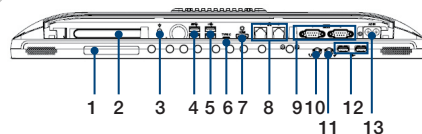
- 1. Power button
- 2. Volume down/up
- 3. Touchscreen status control
- 4. Read light control
- 5. Brightness down/up
- 6. RFID or smart card reader slot

## I/O Ports (DC Model)



- 1. RFID or smart card reader slot
- 2. PCIe x4 slot
- 3. Equipotential terminal pin
- 4. DC-in
- 5. 2 x USB 3.2 (Type A)
- 6. 2 x USB 3.2 (Type A)
- 7. 1 x USB 3.2 (Type C)
- 8. HDMI
- 9. 2 x Gigabit Ethernet
- 10. 2 x COM (RS-232)
- 11. Headphone-out
- 12. Mic-in
- 13. 2 x USB 2.0

## I/O Ports (AC Model)



- 1. RFID or smart card reader slot
- 2. PCIe x4 slot
- 3. Equipotential terminal pin
- 4. 2 x USB 3.2 (Type A)
- 5. 2 x USB 3.2 (Type A)
- 6. 1 x USB Type-C
- 7. HDMI
- 8. 2 x Gigabit Ethernet
- 9. 2 x COM (RS-232)
- 10. Headphone-out
- 11. Mic-in
- 12. 2 x USB 2.0
- 13. AC-in

## Configuration To Order Service (CTOS)

### Ordering Information (Barebone Units)

Part Number (DC Model)	Product Number (AC Model)	Descriptions	CPU	RAM	Touch	SSD	RFID
POC-621-12A110-CA	POC-621-02A110-CA	Intel® Core i7, clear glass with P-CAP touch, W/O RAM and SSD	i7	NA	P-CAP	NA	
POC-621-12B110-CA	POC-621-02B110-CA	Intel® Core i5, clear glass with P-CAP touch, W/O RAM and SSD	i5	NA	P-CAP	NA	
POC-621-12A110R-CA	POC-621-02A110R-CA	Intel® Core i7, clear glass with P-CAP touch, W/O RAM and SSD, with RFID	i7	NA	P-CAP	NA	Yes
POC-621-12B110R-CA	POC-621-02B110R-CA	Intel® Core i5, clear glass with P-CAP touch, W/O RAM and SSD, with RFID	i5	NA	P-CAP	NA	Yes

### Component Offerings

#### Memory

Part Number	Description
SQR-SD4N4G3K2SNEFB	DDR4 3200 4GB 1.2v 512x8
SQR-SD4N8G3K2SNBCB	DDR4 3200 8GB 1.2v 1Gx8
SQR-SD4N16G3K2SNCB	DDR4 3200 16GB 1.2v 1Gx8
SQR-SD4N32G3K2SNAB	DDR4 3200 32GB 1.2v 2Gx8
SQR-SD4I4G3K2SNEFB	DDR4 3200 4GB 1.2v 512x8
SQR-SD4I8G3K2SNBCB	DDR4 3200 8GB 1.2v 1Gx8
SQR-SD4I16G3K2SNCB	DDR4 3200 16GB 1.2v 1Gx8
SQR-SD4I32G3K2SNAB	DDR4 3200 32GB 1.2v 2Gx8

#### M.2 2280 NVME SSD

Part Number	Description
SQF-C8BV2-128GDEDM	SQF PCIe/NVMe M.2 2280 OPAL 720-D 128G 3D TLC BiCS5
SQF-C8BV2-256GDEDM	SQF PCIe/NVMe M.2 2280 OPAL 720-D 256G 3D TLC BiCS5
SQF-C8BV2-512GDEDM	SQF PCIe/NVMe M.2 2280 OPAL 720-D 512G 3D TLC BiCS5

**2.5" SATA SSD and Mounting Kit**

Part Number	Product Description
AMF-S25V2-256GDSBC	AMF 2.5" 256GB 3D TLC (BiCS5)
AMF-S25V4-512GDSBC	AMF 2.5" 512GB 3D TLC (BiCS5)
AMF-S25V4-1TDSBC	AMF 2.5" 1TB 3D TLC (BiCS5)

Choose either 2.5" SSD or backup battery. Those two parts cannot both installed.

Part Number	Part Description	Qty
1700024977-21	SATA Cable	1
1700022355-21	SATA Power Cable	1
1960097062N001	SSD Bracket	1
19330304A0	Screw	2
1930001361	Screw	2
1940003234	Gasket	1

**Wi-Fi + BT Module**

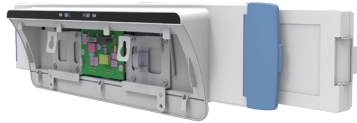
Part Number	Description
EWM-W165M201E	Intel® Dual Band Wireless-AX210 (Wi-Fi 6)
EWM-W165M203E	

**Power Cord**

Region	Part Number (DC Model)	Part Number (AC Model)
USA (Thailand, Philippines)	1702002600	1700001524
Europe (Indonesia)	1702002605	170203183C
UK (Singapore, Malaysia)	1700018704	170203180A
Japan (PSE)	1700000237	1700008921

**Accessories**

**Hot-Swapping Battery Module**



LED Indicator



Battery module contains 2 x battery packs



**Backup Battery (Internal)**



Charging Station



Battery Packs



**Battery Module**

Part Number	Description
POC-BAT-101-6A*	Backup battery (internal)
POC-BAT-201-62*	Hot-swapping battery module for POC-621/624
POC-IPSM90B2	Battery pack (2 x pcs) of POC power system
POC-IPSM90CS3	Charging station (3 x slots) of POC power system

\*Choose either a backup battery or hot-swapping battery module.


**Battery Pack Specification**

Battery Pack Type	Lithium-ion battery
Battery Pack Capacity	90Wh
Total Capacity	180Wh (2 x batteries, 90W per battery)
Battery Runtime	6 ~ 8 hours
Battery Lifespan	300 cycle time ≥ 70%
Capacity Indicator	LED indicator with button
Weight	540g/1.2lb

\*Backup battery is 1 piece.

\*Hot swap batteries are 2 pieces.

**Recommended Mounting Solution**

Model Name	ARES-2423R
Part Number	ARES-2423R-A741L00
Photo	
Max. Support Weight	6 - 12kg
Max. Support Panel Size	≤ 27"
VESA Information	75 x 75 mm 100x100 mm

For more information, please click this link: <https://bit.ly/3T7dLMR>

# DeviceOn

## Unified Remote Device Management Software



### Features

- Supports Advantech devices equipped with Windows, Android, and Linux OS
- Flexible device, location, user, and permissions management
- Enables remote monitoring and control of hardware, software, and peripherals
- Supports over-the-air (OTA) firmware and software updates
- Ensures quick, easy, and secure device onboarding
- RESTful APIs for third-party system integration

### Introduction

Advantech's DeviceOn is a next-generation unified device management solution based on the WISE-DeviceOn platform. Designed to enable centralized monitoring and remote management, DeviceOn supports Advantech devices equipped with Windows, Linux, or Android operating systems. The software also supports the management of applications and integrated peripherals, such as a barcode scanner, card reader, camera, and printer. Users can remotely access and control connected devices, take screenshots, rollout OTA upgrades, and use remote desktop capabilities for troubleshooting from any location at any time. Moreover, DeviceOn supports batch operations to facilitate the management of multiple devices simultaneously for easy and convenient device configuration and deployment.

### Total Management



#### Devices & Hardware

- Windows, Linux, Android
- Hardware, storage, battery



#### Software & Peripherals

- Software monitoring & access
- Screens, USB devices, printers



#### Open for Expansion

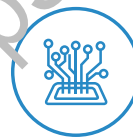
- Peripheral integration
- Open APIs for integration

### Remote Access



#### Real-Time Monitoring

- Connection/hardware status
- Software/peripheral status
- Failure notifications



#### Remote Controls

- Power controls
- Audio, backlight controls
- Software controls



#### Troubleshooting

- Screenshots
- Remote desktop support

### Operational Efficiency



#### OTA updates

- System/software updates
- File repository management
- App store



#### Batch Controls

- 1-to-many batch reboot, etc.
- Time-saving tasks

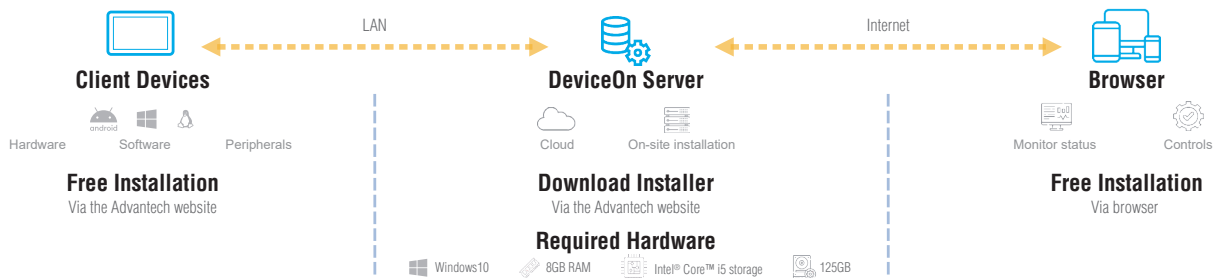


#### Setup Booster

- Software/peripheral watchlist
- Roles, rule templates

Note: Some functions may vary according to the product

### System Architecture



## DeviceOn Specifications

DeviceOn Remote Device Management	Operating System	Windows 10	
	Common Controls (Reboot, Shutdown)	✓	
	Remote desktop	✓ (VNC)	
	Device-Specific Controls (Audio, Backlight)	✓*	
	Connection Status	✓	
	Hardware Status	✓*	
	Hard Disk Status	✓*	
	Batch Operation Support	✓	
	OTA Storage Management	FTP	
	OTA Software Updates	✓	
	Software Watchlist	✓	
	Software Start/Stop	✓*	
	* Dependant on device model	Peripherals Watchlist	✓*

Note:

1. DeviceOn software must be downloaded from the Advantech website at <https://www.advantech.com/search?q=DeviceOn%2FService&st=support&st=Utility>

<https://advavee.com>