

IMC-770/771

Slide-In Modular Media Converter 10/100/1000Mbps to Fiber Series



Features

- Variety of choices: multi-mode, single-mode or single-strand including SFP form factor
- The modular, hot-swappable architecture reduces operational costs associated with product installation, upgrades, and maintenance
- SNMP manageable
- Supports configuration control
- Supports Link Fault Pass Through (LFPT)

Introduction

The IMC-771/771 series are slide-in module Ethernet-to-fiber media converters for the IMC-7xx chassis which support hot-swappable and easy installation. They allow network operators to incorporate multiple fiber types and wavelengths within a network. The IMC-770/771 can be monitored and controlled via a central site with IMC-710 SNMP management module by iView², Telnet, or CLI while installed in a IMC-71x series chassis.

The IMC-771/771 offers a range of speeds up to Gigabit Ethernet and is available with SFP or built-in fiber connector. Multi-mode, single-mode fiber or double fiber capacity with single-strand which supports the transmission distance from 550m to 70km. The IMC-770/771 series feature the Link Fault Pass Through (LFPT), a diagnostic feature that can enable or disable links to assist the end user in troubleshooting a failed segment and configuration control to retain the latest configuration regardless of how the initial configuration was setup.

The IMC-770I-2SFP converter is protocol-independent with dual SFP ports which can provide a single conversion between different wavelengths or single-mode and multi-mode fiber, single-mode to single-mode fiber, or multi-mode to single-strand fiber. Its SFP port must use an SFP of the same speed while allowing different fiber types. Additionally, the IMC-770I-2SFP and IMC-771I-SFP are industrial equipment devices. The unit operates in environments that demand extended operating temperatures.

Specifications

Technical	
IEEE 802.3, 802.3u, 802.3ab (IMC-770 series)	
IEEE 802.3ab, 802.3z (IMC-771 series)	
SFP-MSA standard (IMC-770I-2SFP, IMC-770-SFP, IMC-771I-SFP)	
Link Fault Pass-Through (LFPT)	
Support GUI-Based iView ²	
Includes Diagnostic LEDs	
Includes Hot-swappable Architecture	
Meantime Before Failure (MTBF)	
MTBF	1.4 million hours (IMC-770 series)
	1.9 million hours (IMC-770I-2SFP & IMC-771 series)

Environment	
Operating Temperature	0 to +50 °C (+32 to +122 °F)
	-40 to +85 °C (-40 to +185 °F) (IMC-770I-2SFP & IMC-771I-SFP)
Storage Temperature	-25 to +70 °C (-13 to +158 °F)
	-40 to +85 °C (-40 to +185 °F) (IMC-770I-2SFP & IMC-771I-SFP)
Operating Humidity	5 ~ 95% (non-condensing)
	0 ~ 10,000 ft. altitude
Mechanical	
Dimensions (H x W x D)	10.74 x 2.0 x 7.05 cm (4.19 x 0.78 x 2.75 in)
Weight	0.11 kg (0.30 lb)
Certifications	
CE, FCC Class B (IMC-770 series)	
CE FCC Class A (IMC-771 series)	

* Simple Network Management Protocol-based element management software. To configure, update, manage and monitor from a central location.

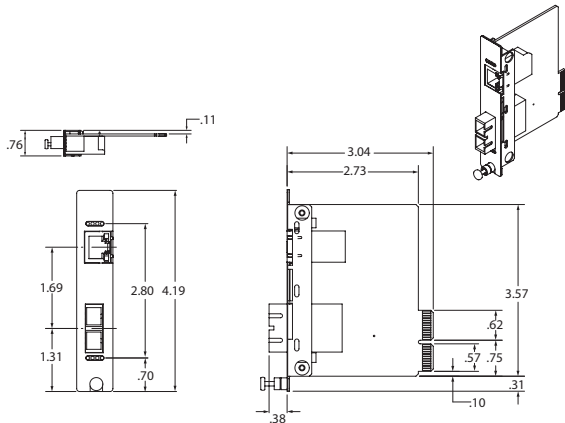


iView2: Websvr version, available for download from website.

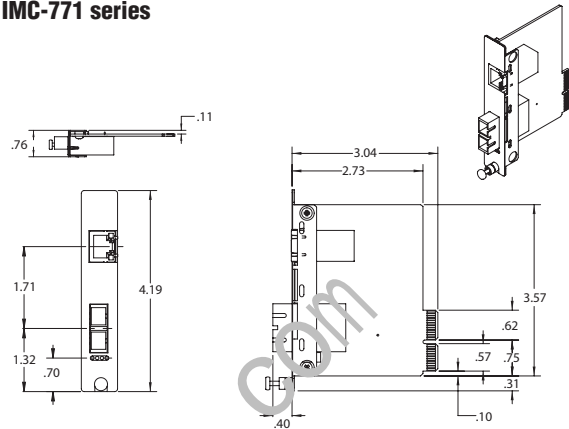
Dimensions

Unit: inch

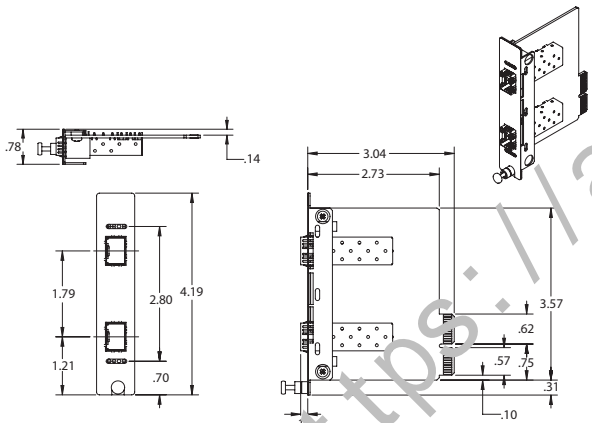
IMC-770 series



IMC-771 series



IMC-7711-2SFP



Ordering Information

Part Number	Also Known As	Ethernet Speed	Optical Mode	Wavelength	Distance	Optical Connector
IMC-770-MM	856-11950	10/100/1000Mbps	Multi-Mode	850 nm	550 m	1 x SC
IMC-770-SM	856-11951	10/100/1000Mbps	Single-Mode	1310 nm	10 km	1 x SC
IMC-770-SST	856-11940	10/100/1000Mbps	Single-Strand	1310T/1550R	10 km	1 x SC
IMC-770-SSR	856-11941	10/100/1000Mbps	Single-Strand	1550T/1310R	10 km	1 x SC
IMC-770-SSER	856-11943	10/100/1000Mbps	Single-Strand	1550T/1310R	40 km	1 x SC
IMC-770-SFP	856-15410	10/100/1000Mbps	Various	Various	Various	1 x SFP

Part Number	Also Known As	Ethernet Speed	Optical Mode	Wavelength	Distance	Optical Connector
IMC-771-MM	850-15511	1000Mbps	Multi-Mode	850 nm	550 m	1 x SC
IMC-771-SM	850-15512	1000Mbps	Single-Mode	1310 nm	10 km	1 x SC
IMC-771-SE	850-15513	1000Mbps	Single-Mode	1310 nm	40 km	1 x SC
IMC-771-SXL	850-15515	1000Mbps	Single-Mode	1550 nm	100 km	1 x SC
IMC-771-SST	850-15521	1000Mbps	Single-Strand	1310T/1550R	10 km	1 x SC
IMC-771-SSR	850-15522	1000Mbps	Single-Strand	1550T/1310R	10 km	1 x SC
IMC-771-SSET	850-15525	1000Mbps	Single-Strand	1310T/1550R	40 km	1 x SC
IMC-771-SSE	850-15526	1000Mbps	Single-Strand	1550T/1310R	40 km	1 x SC
IMC-771-SS4T	850-15529	1000Mbps	Single-Strand	1490T/1550R	70 km	1 x SC
IMC-771-SS4R	850-15530	1000Mbps	Single-Strand	1550T/1490R	70 km	1 x SC
IMC-771-SFP-(Wide Temp.)	850-18510	1000Mbps	Various	Various	Various	1 x SFP
IMC-7711-2SFP (Wide Temp.)	850-19500	100/1000 Mbps (Mode converter)	Various	Various	Various	2 x SFP

* SFP fibers sold separately – available at www.advantech.com

* Single-Strand fiber deploys in pairs or connect another compatible single-strand fiber product.