

IMC-574I-SFP

10/100/1000Mbps 2TX/2SFP Intelligent Media Converter



Features

- Versatile 4-port media converter
- Supports SNMP for management
- Supports a variety of SFP modules
- Works under an extended temperature range
- Supports OAM, VLAN, 1+1 revertive
- Provides RS-232 CLI (command line interface) console port

Introduction

The IMC-574I is a value-based, managed Gigabit Ethernet solution that is ideal for use in fiber infrastructure. The IMC-574I comes with two SFP ports and two fixed 10/100/1000Base-T copper ports. There are four distinct DIP switch selectable configurations that feature the IMC-574I to be a 1+1 uplink port revertive mode, a 1+1 uplink protection non-revertive mode, a 4-port Gigabit switch, and a dual copper-to-fiber SFP media/mode converter (two Gigabit fiber media converters in one).

The term "1+1" refers to line protection where identical information is transmitted on two lines. The receiver chooses its communication line based on the revertive or non-revertive configuration. When a fault is detected on the active line, the traffic is switched to the redundant line. In the non-revertive mode, data is not resumed back to the original line unless the backup line fails or is disconnected. Once the original line is no longer in a fault condition, data can be resumed back to the original line.

Specifications

Technical
Plug-and-Play Operation
2 x RJ-45 and 2 x SFP ports (SFP sold separately)
IEEE 802.3u 100Base-TX, 1000Base-T over twisted pair
IEEE 802.3u 100Base-FX, 1000Base-X
Supports Jumbo Frames up to 10,240 bytes
Auto Negotiation, Auto-Cross for MDI/MDIX
Supports diagnostic LEDs
1+1 uplink protection (<50 mSecs)
IEEE 802.3ah, IEEE 802.3ag
Y.1731
SFP—MSA Standard

* Simple Network Management Protocol-based element management software. To configure, update, manage and monitor from a central location.

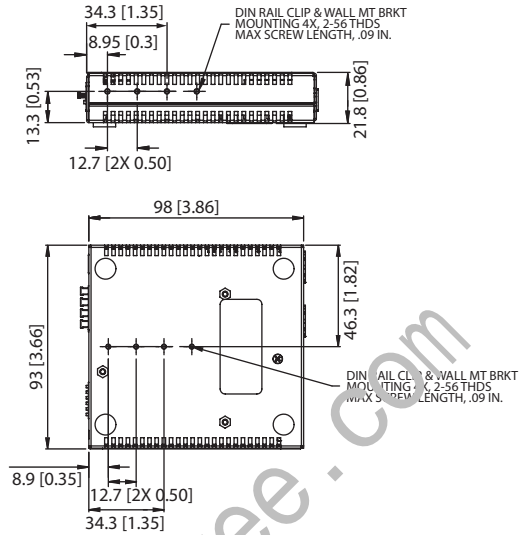
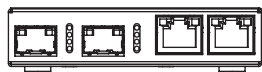
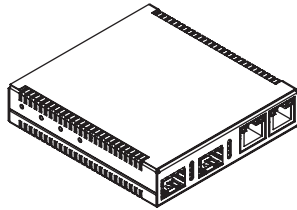


iView2: Webserver version, available for download from website.

Environment	
Operating Temperature w/ AC Input	-10 to +50 °C (+14 to +122 °F)
Operating Temperature w/ DC Input	-40 to +85 °C (-40 to +185 °F)
Storage Temperature	-45 to +85 °C (-49 to +185 °F)
Operating Humidity	10 - 95% (non-condensing)
MTBF	522,644 Hours
Mechanical	
Dimensions (H x W x D)	2.2 x 9.38 x 9.94 cm (0.86 x 3.66 x 3.86 in)
Weight	0.45 kg (1.0 lb)
Power	
AC input: 100 - 240V AC, 50-60Hz, 0.48A	
DC input: 48V DC	
Certifications	
FCC Class A	
UL/cUL, CE	

Dimensions

Unit: mm [inch]



Ordering Information

Part Number	Also Known As	Ethernet Speed	Optical Mod	Distance	Optical Connector	Power Adapter
IMC-574I-SFP	854-11121	10/100/1000 Mbps	Various	Various	2 x SFP	-
IMC-574I-SFP-PS	858-11121	10/100/1000 Mbps	Various	Various	2 x SFP	AC/DC Adapter, 15W @ 5V DC

Accessories

Part Number	Description
806-39105	DIN Rail Clip
806-39720	AC Power Adapter (10W, 10 to +50 °C)
825-39951	Serial Cable, MiniJack to DB9 female)
895-39229	Wall-mount Bracket

* SFP fibers sold separately – available at www.advantech.com