

IMC-574I-SFP-A

Intelligent Gigabit Dual-Channel Media Converter



Features

- Supports SNMP for management applications
- Compatible with a variety of SRP modules
- Operates in a broad temperature range
- Management: SNMP v1/v2c/v3, WEB, standard MIB, and private MIB
- Provides RS-232 CLI (command line interface) console port
- Supports Link Fault Pass Through (LFPT)

Introduction

The IMC-574I is a value-based, managed Gigabit Ethernet solution ideal for use in fiber infrastructure. The IMC-574I features two SFP ports and two fixed 10/100/1000Base-T copper ports. There are four distinct DIP switch selectable configurations that feature the IMC-574I as a 1+1 uplink port in revertive mode, a 1+1 uplink protection in non-revertive mode, a 4-port Gigabit switch, and a dual copper-to-fiber SFP media/mode converter (two Gigabit fiber media converters in one).

The term "1+1" refers to line protection where identical information is transmitted on two lines. The receiver chooses its communication line based on the revertive or non-revertive configuration. When a fault is detected on the active line, the traffic is switched to the redundant line. In non-revertive mode, data is not returned to the original line unless the backup line fails or is disconnected. Once the original line is no longer in a fault condition, data can be returned to the original line.

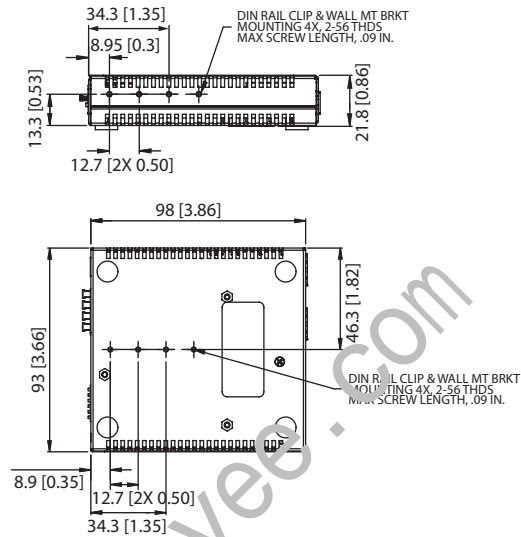
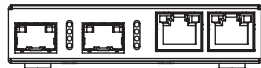
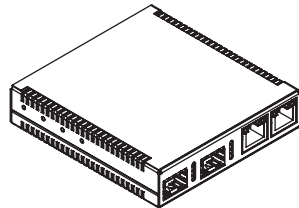
Specifications

Technical
Plug-and-Play Operation
2 x RJ-45 and 2 x SFP ports (SFP sold separately)
IEEE 802.3u 100Base-TX, 1000Base-T over Twisted Pair
IEEE 802.3u 100Base-FX, 1000Base-X
Supports Jumbo Frames up to 10,240 bytes
Auto Negotiation, Auto-Cross for MDI/MDIX
Supports Diagnostic LEDs
1+1 Uplink Protection (<50 mSecs)
IEEE 802.3ah, IEEE 802.3ag
Y.1731
SFP—MSA Standard
Network Management
SNMPv1/v2c/v3
TFTP
SNTP
HTTP
Telnet
LLDP
MIB-II
VLAN
QoS

Environment	
Operating Temperature w/ AC Input	-10 ~ 50 °C (14 ~ 122 °F)
Operating Temperature w/ DC Input	-40 ~ 85 °C (-40 ~ 185 °F)
Storage Temperature	-45 ~ 85 °C (-49 ~ 185 °F)
Operating Humidity	10 ~ 95% (non-condensing)
MTBF	3,784,054 Hours
Mechanical	
Dimensions (H x W x D)	2.2 x 9.38 x 9.94 cm (0.86 x 3.66 x 3.86 in)
Weight	0.45 kg (1.0 lb)
Power	
AC Input: 100 - 240V AC, 50-60Hz, 0.48A	
DC Input: 48V DC	
Certifications	
FCC Class A	
UL/cUL, CE	

Dimensions

Unit: mm [inch]



Ordering Information

Part Number	Also Known As	Ethernet Speed	Optical Mode	Distance	Optical Connector
IMC-574I-SFP-A	854-11121-A	10/100/1000 Mbps	Various	Various	2 x SFP

Accessories

Part Number	Description
806-39105	DIN-Rail Clip
806-39720	AC Power Adapter (10V, -10 ~ 50 °C / 14 ~ 122 °F)
825-39951	Serial Cable, Mini Jack to DB9 (female)
895-39229	Wall-mount Bracket

* SFP fibers sold separately – available at www.advantech.com