

# BB-HD3-A3

## J1939 and J1708 Heavy-duty Intelligent Vehicle Interface Adapter



### Features

- Supports J1939 (250k & 500k) & J1708/J1587 interfaces
- Built to withstand harsh environments
- Wide temperature range: -40 to +85 °C
- Shock, vibration and drop tested
- Over-the-air (OTA) upgradeable
- Vibration, shock, drop tested
- SAEJ1113/11, /13, /14 approvals

### Overview

Model BB-HD3-A3, heavy-duty vehicle interface adapter, connects your onboard computer, wireless gateway, PC or laptop to the J1939 and J1708/J1587 bus found on most heavy-duty vehicles. The connection is made through a reliable, industry standard, wired RS-232 interface.

Model BB-HD3-A3 follows a simple operational protocol to communicate with the J1708 and J1939 bus, shielding the user from the complex vehicle interface.

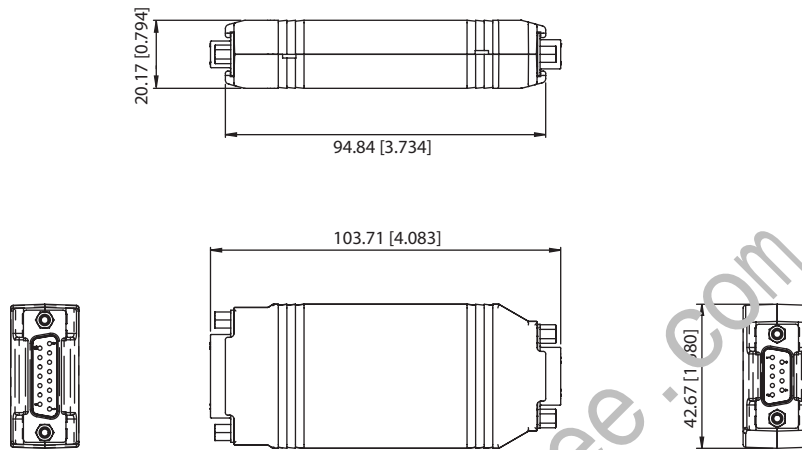
The BB-HD3-A3 also solves timing problems often encountered when operating in Windows or other OS environments. An embedded microprocessor handles buffering and bus timing, reducing data collisions, allowing vehicle data access with much greater precision than a non-intelligent interface adapter.

With built-in database and algorithms, Model BB-HD3-A3 provides a simple, operational protocol to communicate to the OBD bus. The Command and Response Protocol Manual is available on the website.



**Dimensions**

Unit: mm [inch]



**Specifications**

- **Vehicle Interfaces** J1939 & J1708/J1587
- **OBD Data Support** 1996 and newer heavy-duty vehicles
- **Bus** DB15 female
- **Host Connection** RS-232: DB9 female, DCE
- **Operating Temperature** -40 to +85 °C
- **Operating Voltage Range** 8 to 30 V<sub>DC</sub>
- **Max Transient Voltage** 42V
- **Input Current @12 VDC** 50 mA typical, 134 mA maximum
- **Power Consumption** 0.6W typical, 1.6W maximum (Key On)
- **Enclosure Dimensions** 104.1 x 43.2 x 20.3 mm
- **Y-Cable Dimensions** 533 mm, integrated
- **MTBF (Meantime Between Failures)** 174465 hours

**Ordering Information**

- **BB-HD3-A3** J1939 and J1708 Intelligent Heavy-duty Vehicle Interface Adapter

**Accessories – sold separately**

- **BB-D66Y** 6-Pin Deutsch Integrated Y-Cable
- **BB-D99Y** 9-Pin Deutsch Integrated Y-Cable
- **BB-D99TYPE2** 9-Pin Deutsch Integrated Y-Cable, 500k CAN