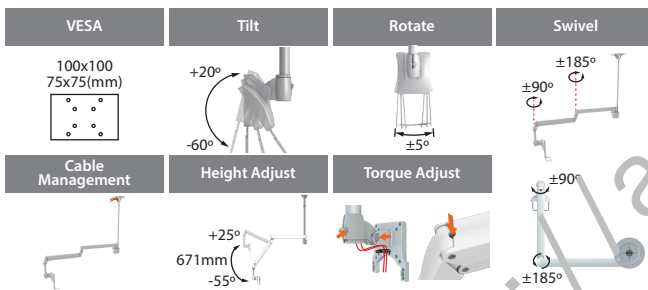


# ARES-7621C/7623C

Long Reach mounting kit for industrial applications

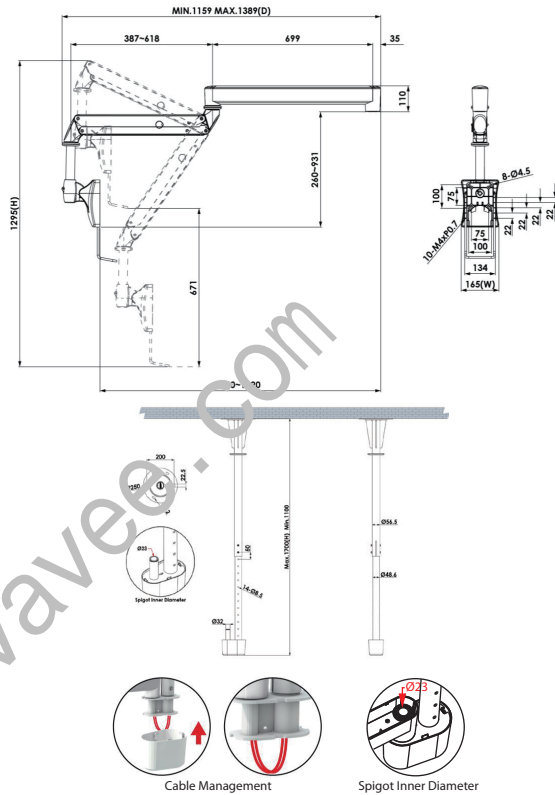


**VESA** 100x100/75x75 mm **MAX** ARES-7621C-LB20000: 1 ~ 6.5 kg  
 ARES-7623C-LB20L00: 6 ~ 12 kg



## Dimensions

Unit: mm



## Specifications

		ARES-7621C-A	ARES-7623C-A	
Complete System	Net Weight	17.7Kg (39.02lbs)	17.7Kg (39.02lbs)	
	Dimension (W x H x D)	164 x 1295 x 1389 mm (6.46" x 50.98" x 54.68") 250 x 250 x 1100 mm (9.84" x 9.84" x 43.3")	164 x 1295 x 1389 mm (6.46" x 50.98" x 54.68") 250 x 250 x 1100 mm (9.84" x 9.84" x 43.3")	
	Screw Type	M4	M4	
	Material	Steel/Aluminum Alloy/Plastic	Steel/Aluminum Alloy/Plastic	
Display System	Hinge Module	Swivel (Hinge)	±185°	±185°
		Tilt(Hinge)	-60° ~ +20°	-60° ~ +20°
		Pivot	360°	360°
	Display Support	User Torque Adjust	Available	Available
		Mounting Pattern	100x100 / 75x75 mm	100x100 / 75x75 mm
		Display Type	Single Monitor	Single Monitor
		Panel Size Support	15"~24"	15"~24"
	Arm Adjust	Support Weight (Range)	1~6.5kg (2.2~14.3 lbs)	6~12kg (13.23~26.46 lbs)
		ARM Swivel (1)	±90°	±90°
		ARM Swivel (2)	±185°	±185°
		Height Adjustment Range (Arm)	671mm (26.42")	671mm (26.42")
		Tension Torque Adjust	Yes	Yes
		Tilt (Arm)	-55°(down) ~ +25°(up)	-55°(down) ~ +25°(up)
Extended Arm Provided		2	2	
Max. Distance ToThe Ceil	1700mm (66.93")	1700mm (66.93")		
Min. Distance ToThe Ceil	1100mm (43.3")	1100mm (43.3")		
Cable Management	Yes	Yes		

## Ordering Information

Model Name	Part No.	Product Description
ARES-7621C-A	ARES-7621C-LB20000 ARES-7600C-AR00100	Medical Ceiling Arm, support 15" ~ 24", 1 ~ 6.5kg, ceiling length 1100 ~ max. 1700cm, without cable, 75x75 / 100 x 100 mm
ARES-7623C-A	ARES-7623C-LB20L00 ARES-7600C-AR00100	Medical Ceiling Arm, support 15" ~ 24", 6 ~ 12 kg, ceiling length 1100 ~ max. 1700cm, without cable, 75x75 / 100 x 100 mm

Long reach medical Wall-Box arm

# ARES-73211

Long Reach mounting kit for industrial applications

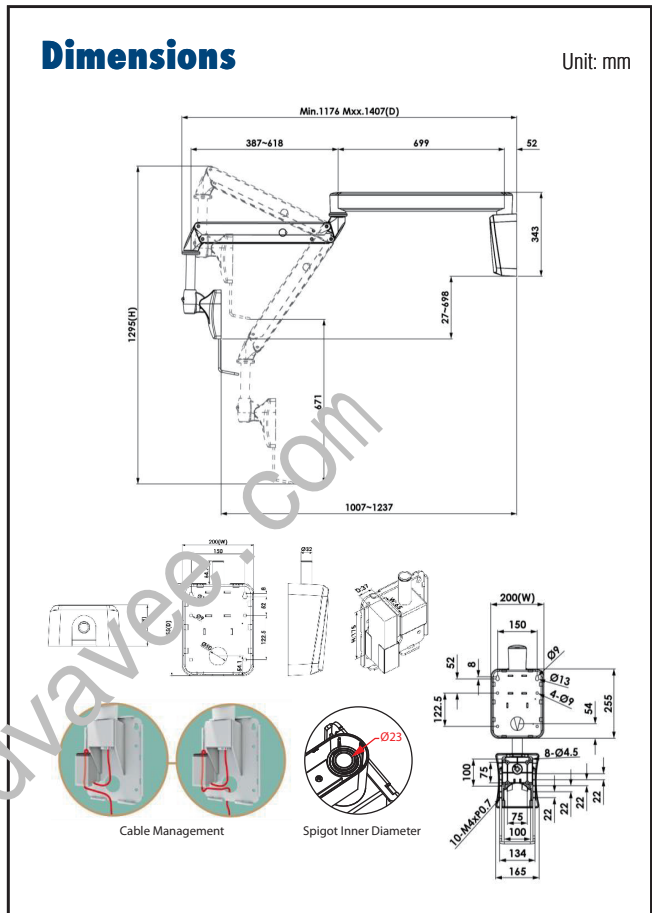


VESA 100x100/75x75 mm **MAX** 1 ~ 6.5 kg

VESA	Tilt	Rotate	Swivel
100x100 75x75(mm) 	+20° -60° 		±90° ±185° ±185° 
Cable Management 	Height Adjust +25° 671mm -55° 	Torque Adjust 	±90° ±15° 

## Dimensions

Unit: mm



## Specifications

Complete System	Net Weight	11.4 kg (25.08 lbs)	
	Dimension (W x H x D)	200 x 1295 x 1407 mm (7.87" x 50.98" x 55.39")	
	Screw Type	M4	
	Material	Steel/Aluminum Alloy/Plastic	
Display System	Hinge Module	Swivel (Hinge)	±185°
		Swivel(VESA)	±5°
		Tilt (Hinge)	-60° ~ +20°
	Display Support	User Torque Adjust	Available
		Mounting Pattern	100x100 / 75x75mm
		Display Type	Single Monitor
		Panel Size Support	15"-24"
		Support Weight (Range)	1~6.5kg (2.2~14.3 lbs)
	Arm Adjust	ARM Swivel (1)	±90°
		ARM Swivel (2)	±185°
		Height Adjustment Range (Arm)	671mm (26.42")
		Tension Torque Adjust	Yes
	Extended Arm Provided		2
Cable Management		Yes	

## Ordering Information

Model Name	Part No.	Product Description
ARES-73211	ARES-7621C-LB20000 ARES-79A00-AB00100	Medical Wall Mount Arm, support 15" ~ 24", 1 ~ 6.5 kg, without cable, 75x75 / 100 x 100 mm



# Compatible Table



Get the latest version [HERE](#)

Model Name	ARES-7621C-A		ARES-7623C-A		ARES-7621C-B		ARES-7623C-B		ARES-7321I		ARES-7221A	
Part Number	ARES-7621C-LB20000 + ARES-7600C-AR00100		ARES-7623C-LB20L00 + ARES-7600C-AR00100		ARES-7621C-LB20001 + ARES-7600C-AR00100		ARES-7623C-LB20L01 + ARES-7600C-AR00100		ARES-7621C-LB20000 + ARES-79A00-AB00100		ARES-7621C-LB20001 + ARES-79A00-AB00100	
Photo												
Max. support weight	1 ~ 6.5 kg		6 ~ 12 kg		1 ~ 6.5 kg		6 ~ 12 kg		1 ~ 6.5 kg		1 ~ 6.5 kg	
Max. support panel size	15" ~ 24"		15" ~ 24"		15" ~ 24"		15" ~ 24"		15" ~ 24"		15" ~ 24"	
Pre-install Cables (Yes / No)?	No		No		Yes		Yes		No		Yes	
External cable (in VESA bracket), cm	N/A		N/A		20 ~ 25		20 ~ 25		N/A		20 ~ 25	
External cable (in wall site), cm	N/A		N/A		without Ceiling: 274 ~ 294 with Ceiling (1100mm): 147 ~ 167 with Ceiling (1700mm): 87 ~ 107		N/A		267 ~ 283		N/A	
System Model	Panel size (inch)	Weight (kg)	VESA (mm)	75 x 75 mm 100 x 100 mm	75 x 75 mm 100 x 100 mm	75 x 75 mm 100 x 100 mm	75 x 75 mm 100 x 100 mm	75 x 75 mm 100 x 100 mm	75 x 75 mm 100 x 100 mm	75 x 75 mm 100 x 100 mm	75 x 75 mm 100 x 100 mm	75 x 75 mm 100 x 100 mm
HIT-507	7"	1.2	75 x 75	Yes	Yes	--	--	Yes	Yes	--	--	
HIT-512	11.6"	1.5	75 x 75	Yes	Yes	--	--	Yes	Yes	--	--	
HIT-W101L	10.1"	1.4	75 x 75	Yes	Yes	--	--	Yes	Yes	--	--	
HIT-W153	15.6	4.7	75 x 75 100 x 100	Yes	--	Yes	--	Yes	Yes	Yes	Yes	
HIT-W183	18.5	5.94	75 x 75 100 x 100	Yes	Yes	Yes	Yes	Yes	Yes	Yes	Yes	