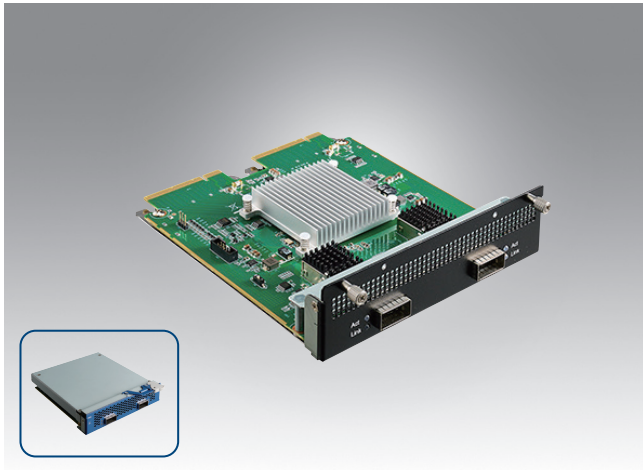


NMC-6002FD

2 Ports 100GbE QSFP28 Network Management Card



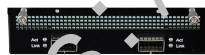
Features

- Single host NIC solution
- Overlay networks support : VxLAN & NVGRE
- CPU offload : TSO, LRO, GRO
- Jumbo frame support (9.6KB)
- Compatible with FWA-6520 & FWA-5020 Broadwell platform

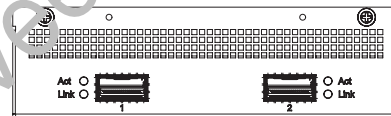


Hardware Specifications

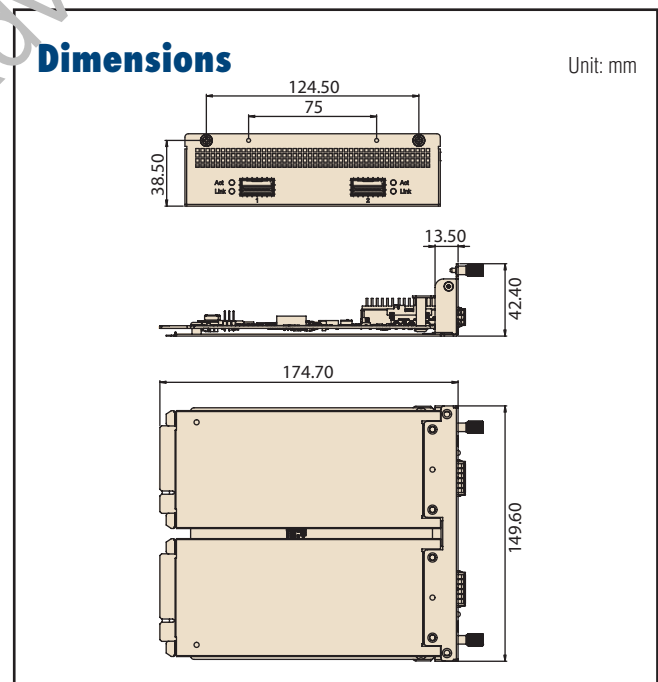
Controller	Mellanox ConnectX-5
IEEE Standard	IEEE 802.3bj, 802.3bm 100 Gigabit Ethernet IEEE 802.1Q, 802.1P VLAN tags and priority IEEE 802.1Qau (QCN) – Congestion Notification IEEE 802.1Qaz (ETS) IEEE 802.1Qbg
Jumbo frame support (9.6KB)	Yes
Host Interface	2x PCIe X8, Gen3
Physical Interface	2 x QSFP28 ports
Data Rate	100 Gbps
NMC Type	Latch
LAN LED definition	Speed LED: Non-100Gbps: NA 100Gbps: NA Link/Act/Bypass LED: Link: Green on Activity: Green Blanking LAN Bypass: NA Disconnect: NA
Transceiver types	LR4, SR4, AOC, DAC
Operating Temperature (Air flow 0.7 m/sec)	0°C ~ 40°C (23°F~113°F) with system
Storage Temperature	-20°C ~ 65°C (-4°F ~ 149°F)
Storage Humidity	5 ~ 85 % @ 60 °C (140 °F)
Dimension (W x H x D)	149.6 x 42.4 x 174.7 mm
Weight	0.5 kg
Compliance	CE/FCC, RoHS



Front Panel Diagram



Dimensions



Software Specification & Features

Item	Specification / Features
OS Support	RHEL/CentOS
Overlay Networks Support	VxLAN & NVGRE
QoS	Strict Priority, ETS, Rate Limit & Packet Pacing
QCN	Supported
CPU offload	Checksum offload, RSS & Flow steering
DPDK	Supported
Promiscuous Mode	Supported

Ordering Information

Part Number	Description
NMC-6002FD-02A1L	2 Ports 100GbE QSFP28 Latch Type
NMC-6002-02FSA1	2 Ports 100GbE QSFP28 Thumbscrew Type

I/O Drawing

