

# NMC-4008

## 2 Ports 40GbE QSFP+ Bypass Module



### Features

- 1x Intel XL710-BM2
- 2 ports QSFP connector (built in)
- PCI-E 3.0 x8
- RoHS compliant



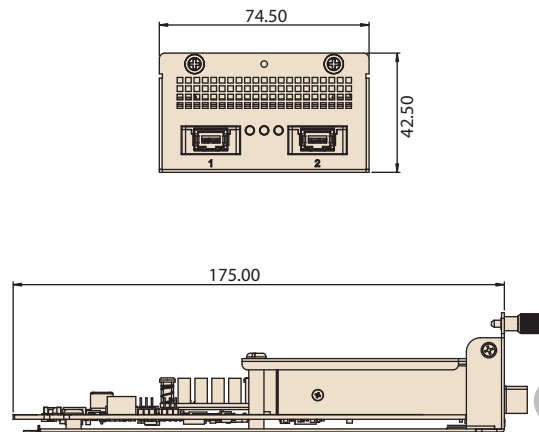
### Specifications

Controller	1x Intel XL710-BM2
Interface	PCI-E 3.0 x8
Speed	40GbE
Port	2x QSFP+ Port (built in)
LAN LED definition	-Port#1 & Port#2 Indicator: Link: LED on Act: Blinking -Bypass mode Indicator (Orange): Bypass mode: on Normal mode: off
Advanced Software Features	Teaming support IEEE 802.3ad IEEE 802.1Q VLANs IEEE 802.3 2005 flow control support Interrupt moderation
OS Support	Windows® Server 2012 R2, 2012, 2008 R2 X86-64 Linux RedHat EL 6.3 and 7.0 IA-32, X86-64, and IA-64 Linux SuSE Linux 11 SP3 and 12 IA-32, X86-64, and IA-64 FreeBSD 9 and 10 IA-32, X86-64, and IA-64 UEFI 2.1 and 2.3 X86-64 and IA-64 VMware ESXi 5.1, ESXi 5.5 and ESXi 6.0 X86-64
Operating Conditions	Operation: 0 ~ 45°C Storage: -20 ~ 60°C
Power Voltage & consumption	+12V ± 15% 16W
Dimension (mm)	163.7 x 74.6 x 35.5 (Latch type), 175 x 74.5 x 42.5 (Thumbscrew type)
Compliance	CE/FCC

## Dimensions

Unit: mm

### Thumbscrew type



## Optical Characteristics

Parameter	Symbol	Min.	Typ.	Max.	Unit	Note
<b>Transmitter</b>						
Output Optical Power (Avg.)	P <sub>o</sub>	-7.6		2.4	dBm	1
Optical Extinction Ratio	ER	3			dB	
Center Wavelength	λ <sub>C</sub>	840	850	860	nm	
Spectral Width (RMS)	σ			0.65	nm	
<b>Receiver</b>						
Stress Receiver Sensitivity (Avg.)	PIN			-5.4	dBm	1,2
Input Optical Wavelength	λ	840		860	DBm	
LOS-Deasserted	PA			-7.5	dBm	
LOS-Asserted	PD				dBm	
LOS-Hysteresis	PA-PD	0.5			dB	
<b>Optical Switch</b>						
Wavelength Range	λ <sub>R</sub>	670		980	nm	
Insertion Loss	OIL		0.35	2	dB	
Return Loss	OP <sub>r</sub>	30			dB	
Switch Time				8	ms	
Lifetime			≥107		times	
Latching Resistance	RLAT		125		Ω	

Notes:

1. Normal Mode (Bypass off).
2. The sensitivity provided at a BER of 1×10<sup>-12</sup> or better with an input signal consisting of 10.3125Gb/s, 231-1 PRBS

## Ordering Information

Part Number	Type	Description
NMC-4008-02FBSLA1 (PVT but can be ordered)	Thumbscrew	2-ports 40GbE QSFP+ Bypass Module