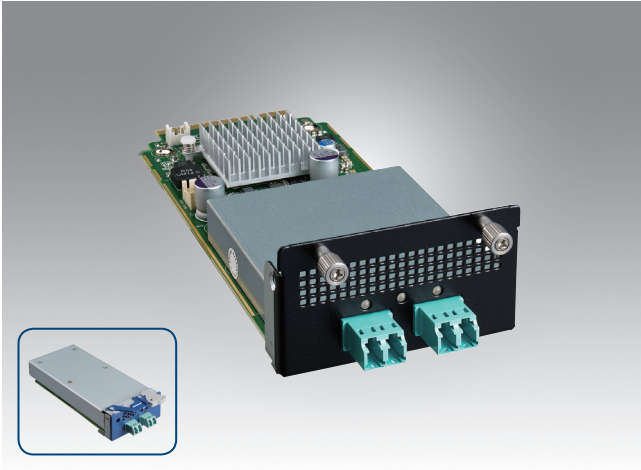


NMC-1010

2 Ports 10GbE Fiber Bypass Network Management Card



Features

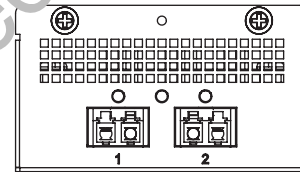
- 1x Intel X710-BM2
- 2 ports LC(SR) fiber connector with fiber pass module
- 1x PCIe x8, Gen3
- Fiber bypass functionality includes Advanced LAN Bypass mode, Normal mode, and Disconnect Mode
- RoHS compliant



Specifications

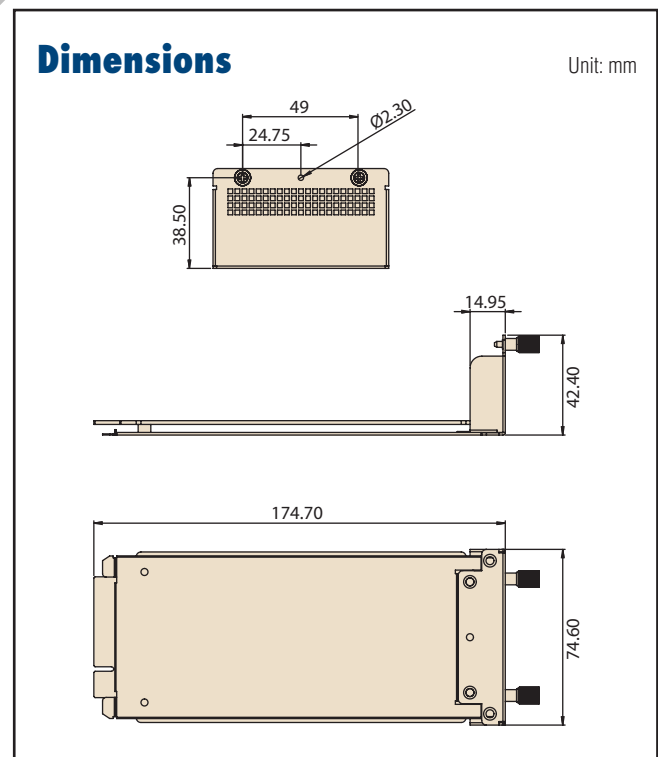
Controller	1x Intel X710-BM2
Interface	1x PCIe x8, Gen3
Speed	10GbE
Port	2x Fiber port
LAN LED definition	Link / Act LED (Right/Left): Link: Green on Active: Green Blinking Bypass LED: (Middle): LAN Bypass: Amber on Disconnect: Amber blinking Connect: N/A
Advanced Software Features	Teaming support IEEE 802.3ad IEEE 802.1Q VLANs IEEE 802.3 2005 flow control support Interrupt moderation
OS Support	Windows® Server 2012 R2, 2012, 2008 R2 X86-64 Linux RedHat EL 6.5 and 7.0 IA-32, X86-64, and IA-64 Linux SuSE SLES 11 SP3 and 12 IA-32, X86-64, and IA-64 FreeBSD 9 and 10 IA-32, X86-64, and IA-64 UEFI 2.1 and 2.3 X86-64 and IA-64 VMware ESXi 5.1, ESXi 5.5 and ESXi 6.0 X86-64
Operating Conditions	Operation: 0 ~ 40 °C Storage: -20 ~ 67 °C
Power Voltage & consumption	+12V ± 10% 15W
Dimension (W x H x D)	74.6 x 42.4 x 174.7 mm
Compliance	CE/FCC

Front Panel Diagram



Dimensions

Unit: mm



Ordering Information

Part Number	Description
NMC-1010-000110E	2 Ports 10GbE Latch Type Fiber Advanced LAN Bypass
NMC-1010-02FBSSA1	2 Ports 10GbE Thumbscrew Type Fiber Advanced LAN Bypass