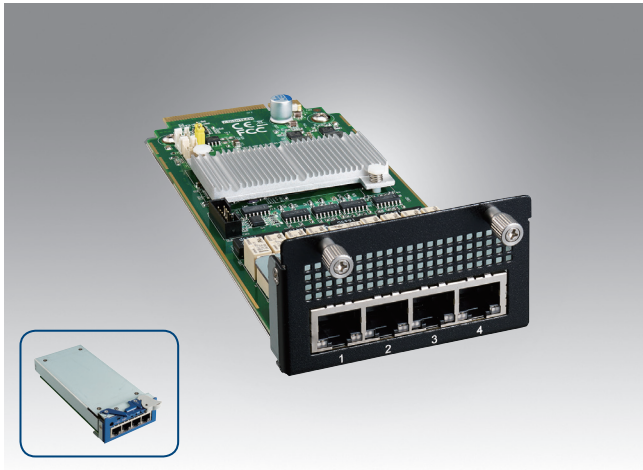


NMC-0121

4 Ports 1GbE RJ45 Network Management Card (with Optional Advanced LAN Bypass)



Features

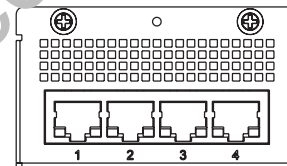
- 1x Intel® I350-AM4
- 4 ports RJ45 connector
- 1x PCIe x4, Gen2
- Optional Advanced LAN Bypass is Available
- RoHS compliant



Specifications

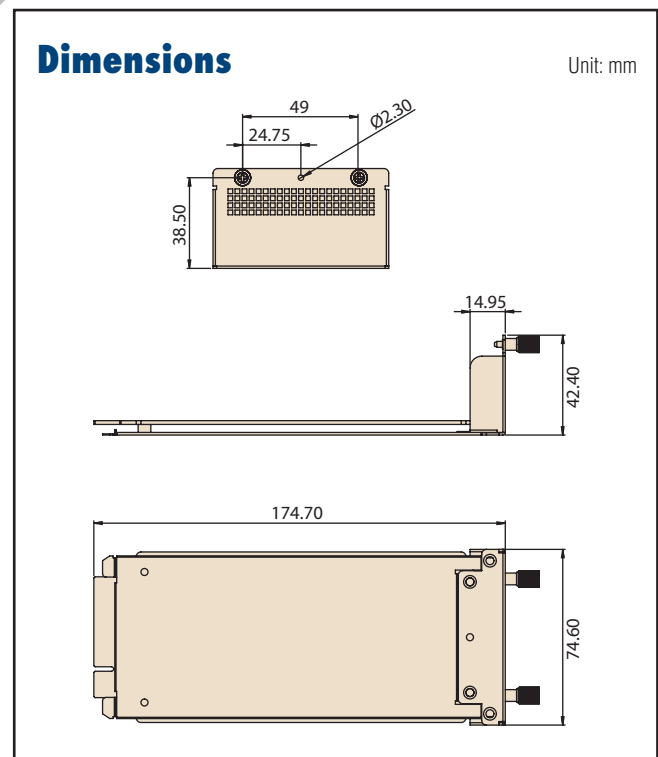
Controller	1x Intel® I350-AM4
Interface	1x PCIe x4, Gen2
Speed	1GbE
Port	4x RJ45 Ports
LAN LED definition	<p>Speed LED(Left): 10Mbps: N/A 100Mbps: Amber on (Downgrade speed) 1000Mbps: Green on (Maximum speed)</p> <p>Link/Act/Bypass LED(Right): Link: Green on Active: Green Blinking LAN Bypass: Amber on (Optional) Disconnect: Amber blinking (Optional)</p>
Advanced Software Features	<p>Teaming support IEEE 802.3ad IEEE 802.1Q VLANs IEEE 802.3 2005 flow control support Interrupt moderation</p>
OS Support	<p>Windows® Server 2012 R2, 2012, 2008 R2 X86-64 Linux RedHat 5.6 and 7.0 IA-32, X86-64, and IA-64 Linux SuSE SLES 11 SP3 and 12 IA-32, X86-64, and IA-64 FreeBSD 9 and 10 IA-32, X86-64, and IA-64 UEFI 2.1 and 2.3 X86-64 and I-64 VMware ESXi 5.1, ESXi 5.5 and ESXi 6.0 X86-64</p>
Operating Conditions	<p>Operation: 0 ~ 45 °C Storage: -20 ~ 60 °C</p>
Power Voltage & consumption	<p>+12V ± 10% 10W</p>
Dimension (W x H x D)	74.6 x 42.4 x 174.7 mm
Compliance	CE/FCC

Front Panel Diagram



Dimensions

Unit: mm



Ordering Information

Part Number	Description
NMC-0121-000010E	4 Ports 1GbE RJ45 Latch Type
NMC-0121-000110E	4 Ports 1GbE RJ45 Latch Type with Advanced LAN Bypass
NMC-0121-04CSA1	4 Ports 1GbE RJ45 Thumbscrew Type
NMC-0121-04CBSA1	4 Ports 1GbE RJ45 Thumbscrew Type with Advanced LAN Bypass