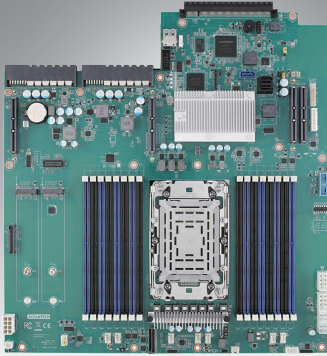


ASMB-622V3

LGA4677 5th/4th Gen Intel® Xeon® Scalable Proprietary Board with 16 DDR5, 2 PCIe x16, 4 PCIe x8, 5 SATA3, 4 USB3.0, IPMI

NEW



Features

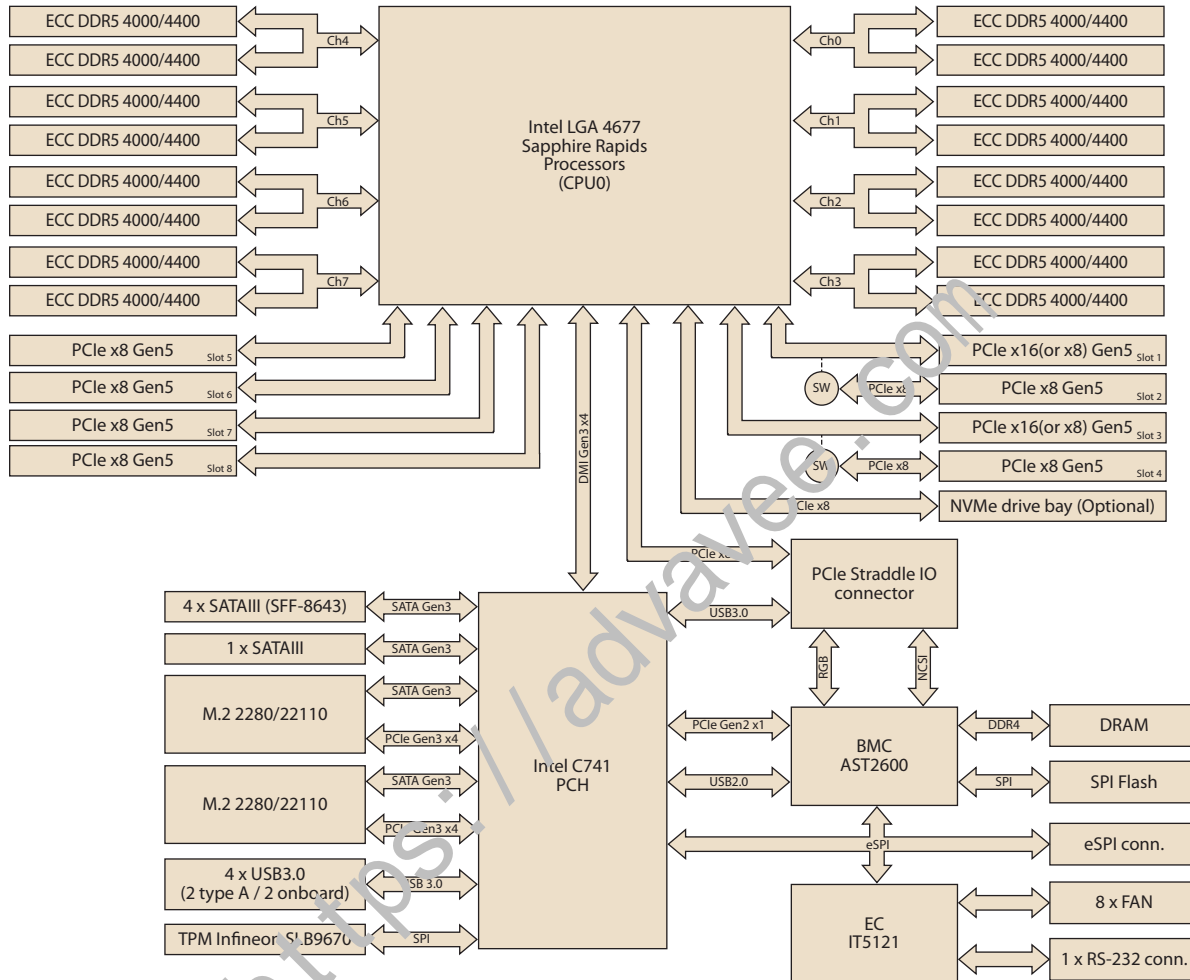
- Proprietary server board with 5th/4th Gen. Xeon® Scalable processor
- DDR5 5200 MHz RDIMM up to 4TB (16 DIMMs) supports Intel® Optane™ Persistent Memory
- 1 SFF-8643 connector support 4 ports SATA drive, 2 M.2 2280/22110 on board
- 1 MCIO connector support 2 ports NVMe drive in option
- Two PCIe Gen5 x16 (or four PCIe x8 switchable) supporting 2 double deck cards with active fan
- Four PCIe Gen5 x8
- Quad LAN with Intel I350
- Flexible IO board design

CE FCC

Specifications

Form Factor	Proprietary 326 x 343 mm (12.83" x 13.5")		
Processor System	Socket	Intel LGA4677	
	CPU type	Intel 5th/4th Generation Xeon Scalable processors (CPU cooler should be purchased separately and TDP up to 270W)	
Core Logic	Chipset	Intel C741 chipset	
Memory	Total slots	16 (2 DIMM per channel)	
	Capacity	Maximum 4TB ECC RDIMM	
	Memory type	DDR5 ECC-REG 3200/3600/4000/4400/4800 MHz RDIMM Speed up to 4400 MHz (DDR5)	
	Memory size	16GB, 32GB, 64GB, 128GB, 256GB	
Expansion Slots	Total PCIe slots	8	
	Lower Right Riser Card Cage-Slot 1	FH/10.5L PCIe x16 slot (x16 or x8 link)	
	Lower Right Riser Card Cage-Slot 2	FH/10.5L PCIe x8 slot (no link or x8 link)	
	Upper Right Riser Card Cage-Slot 3	FH/10.5L PCIe x16 slot (x16 or x8 link)	
	Upper Right Riser Card Cage-Slot 4	FH/10.5L PCIe x8 slot (no link or x8 link)	
	Middle Riser Card Cage-Slot 5	FH/HL PCIe x8 slot	
	Middle Riser Card Cage-Slot 6	FH/HL PCIe x8 slot	
	Left Riser Card Cage-Slot 7	FH/HL PCIe x8 slot	
Left Riser Card Cage-Slot 8	FH/HL PCIe x8 slot		
Graphics	VGA	Aspeed AST2600	
Storage	SATA controller	Intel® C741: 4 x SATA3.0 (6 Gb/s) via Mini SAS HD (SFF-8643), support software RAID 0,1,5,10 1 x SATA3.0 (6Gb/s)	
	NVMe controller	2 x NVMe support VROC (optional)	
Networking	1Gbps 100Mbps	4 x Intel I350	
Onboard I/O Connector	PSU connector	Power card edge connector, 2 x 8 pin and 2 x 4 pin power connector	
	USB connector	2 x USB3.0 ports (type A) + 2 x USB3.0 ports (onboard header)	
	Fan header	9 (2 for CPU fan + 6 for system 8cm fan + 1 for system 6cm fan)	
	M.2	2 x M.2 2280/22110 B+M key (SATA/PCIe)	
	SMBus	1	
	Chassis intruder	1	
	Front LAN LED	1	
	Audio Header	-	
PS/2 Keyboard/Mouse header	-		
Serial port header	1		
Rear I/O Connector	External serial port	1	
	External USB port	2 (USB3.0)	
	VGA port	1	
	RJ-45	5 (1 port dedicated BMC)	
	PS/2 Keyboard/Mouse	-	
	Infiniband	-	
Management Solution	Software	-	
	Out of band remote management	Yes	
Monitoring	CPU temperature	Yes	
	System Monitoring	Yes	
Watchdog Timer	Output	System reset	
	Interval	Programmable 1 ~ 255 sec/min	
Environment	Temperature	Operating	Non-operating
		0 ~ 40 °C, depends on CPU speed and cooler solution	-40 ~ 85 °C
	Humidity	10% ~ 95%	10% ~ 95% (Non condensing)
Physical Characteristics	Dimension (L x H)	326 x 343 mm (12.83" x 13.5")	

Block Diagram



Ordering Information

Part Number	Chipset	Memory	GbE/10GbE LAN	IPMI	Graphics
ASMB-622V3-00A1	C741	16 x DDR5 RDIMM	4/-	Yes	AST2600

Optional Accessories

Part Number	Description
1970005860N000	LGA4677 CPU cooler for 2U chassis (270W)
98R1310001E	2-port NVMe drive kit

Packing List

Part Number	Description	Quantity
2042622V00	Startup manual	1
1651003739-01	LGA4677 CPU carrier-E1B	1
1700032421-01	SFF-8643 to 4 port SATA cable	1
9692622V110	IO board with 4 x GbE, 2 x USB3.2, 1 x VGA, 1 x RS-232, IPMI	1
9692622V311	Lower right riser card with 1 x PCIe x16 slot and 1 x PCIe x8 slot for FH/10.5"L	1
9692622V321	Upper right riser card with 1 x PCIe x16 slot and 1 x PCIe x8 slot for FH/HL	1
9692622V330	Middle and left riser card with 2 x PCIe x8 slot for FH/HL	2

I/O View

