

SKY-7232D3E

2U HCI Server with 3rd Gen. Intel® Xeon® Scalable Processors



Features

- Balanced CPU & GPU performance by spread core layout
- Wide temperature support up to 40 °C
- Up to 5 x low profile PCIe Gen4 slots
- 12 x 3.5" HDD, 2 x 2.5" SATA HDD and 2 x M.2 NVME
- Up to 16 x DDR4 3200 RDIMM / LRDIMM
- Advantech platform management by Redfish and secured web interface

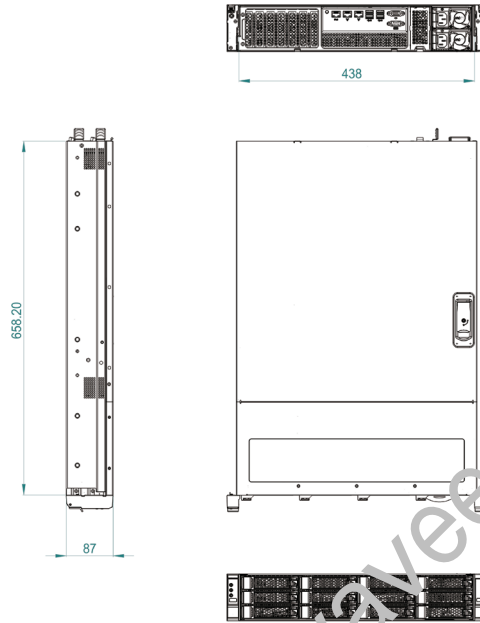


Specifications

System P/N		SKY-7232D3E
Processor	Family	3rd Gen. Intel® Xeon® Scalable processors
	Number	2
	Cores	up to 32 cores
	Cache	L3 Cache (1.5MB/core)
	Speed	up to 3.1 Ghz
	Max TDP	205W
Memory	Type	DDR4 ECC-REG 2666/2933/3200 MHz RDIMM/LRDIMM
	Slots	16
	Capacity	Up to 128GB per slot
Storage	2.5" HDD/SSD	2 (rear)
	3.5" HDD	12 x 3.5" (front)
	M.2 SSD	2 x 2280 NVMe
Expansion Slots		3 x Low profile PCIe 4.0 x16
		2 x Low profile PCIe 4.0 x8
I/O & Ports	Network Interfaces	2 x 10/100/100 GbE RJ-45; 1 x GbE Mgmt (RJ-45)
	USB	4 x USB3.0 (rear); 2 x USB3.0 (front)
	LED Indicator	1 x Power status (w/button), 2 x LAN Activity 1 x UID (w/button), 1 x HDD Status 1 x System status
	Video	1 x VGA (rear)
	Others	1 x Serial port (COM) 1 x Reset button
	Power Supplies	Type
	Power Rating	800W red. AC PSU
System Cooling		3 system FAN with smart FAN control
Mechanical	Form Factor	2U
	Dimensions (W x H x D) mm	438 x 87 x 658 mm
	Weight (KG)	25 kg
System Management		Aspeed AST2600 BMC Advanced Lights Out Management compliant to IPMI2.0 and Redfish with security and availability enhancements iKVM Support
Supported OS		Linux (CentOS, Red Hat, Ubuntu), Windows server
Environment	Humidity Operational (non-condensing)	5% to 85%
	Operational Temperature	0 °C (32 °F) to 40 °C (104 °F)
	Storage Temperature	-40 °C (-40 °F) to 70 °C (158 °F)
Certification		FCC/CE/CB/UL/CCC

Dimensions

Unit: mm



Front View



Rear View



Ordering Information

PN	CPU	PCH	Memory	PCIe slots	Storage	I/O	PSU
SKY-7232D3E-12A1R	Dual socket, 3rd Gen. Intel® Xeon® Scalable processors	Intel® C621A chipset	16 RDIMM/ LRDIMM slot, up to 3200 MHz	3 x Low profile PCIe4.0 x16 2 x Low profile PCIe4.0 x8	12 x 3.5" SAS/SATA HDD/SSD (signal through HBA/RAID card) ^{Note 1} 2 x 2.5" HDD/SSD 2 x M.2 NVMe	2 x 10/100/1000 RJ45 1 x RJ45 management port 4 x USB3.0 (rear), 2 x USB 3.0 (front) 1 x VGA 1 x Serial power (COM)	Redundant 1+1 CRPS 800W
SKY-7232D3E-12A2R	Dual socket, 3rd Gen. Intel® Xeon® Scalable processors	Intel® C621A chipset	16 RDIMM/ LRDIMM slot, up to 3200 MHz	3 x Low profile PCIe4.0 x16 2 x Low profile PCIe4.0 x8	12 x 3.5" SATA HDD/SSD (directly connected to PCH) 2 x 2.5" HDD/SSD 2 x M.2 NVMe	2 x 10/100/1000 RJ45 1 x RJ45 management port 4 x USB3.0 (rear), 2 x USB 3.0 (front) 1 x VGA 1 x Serial power (COM)	Redundant 1+1 CRPS 800W

Note 1: HDD backplane with SAS Expander chipset

Packing List

Part no.	Description
1970004565N001	1U CPU Heatsink
1651003476-01	LGA 4189 P4 CPU socket Carrier

Optional Accessories

Part no.	Description
1702002600	Power cord 3P 180 cm, USA
1702002605	Power cord 3P 180 cm, Europe
1702031801	Power cord 3P 180 cm, UK
1700000237	Power cord 3P 180 cm, JP
1700009652	Power cord 3P 180 cm, China
968DE00049	SKY-7232D3E 2U slide rail
1970004567N001	2U CPU Heatsink