

EKI-9510G-2GMPL

EKI-9510G-2GMPL

EN 50155 10-port Managed PoE M12 Full Giga Ethernet Switch 72/96/110 V_{DC}

EN 50155 10-port Managed PoE M12 Full Giga Ethernet Switch 24/48 V_{DC}



CE FCC

Features

- Complies with EN50155
- 8 x M12 X-Coded 10/100/1000Mbps PoE ports + 2 x M12 X-Coded 10/100/1000Mbps ports with Bypass function
- Power Input
 - EKI-9510G-2GMPL: 72/96/110 V_{DC}
 - EKI-9510G-2GMPL: 24/48 V_{DC}
- Operating Voltage
 - EKI-9510G-2GMPL: 50.4~137.5 V_{DC}
 - EKI-9510G-2GMPL: 16.8~60 V_{DC}
- X-Ring Pro supports rapid and predictable convergence
- 8-port PoE support IEEE802.3at/af
- M12 connector with IP40 protection

Introduction

EKI-9500 series switch is designed for railway application, with rugged and high EMC performance. EKI-9500 series is the suitable networking solution for rolling stock and wayside applications. EKI-9500 series provide M12 connectors for Ethernet/ console/ relay/ power-input connections to ensure tight & robust connectivity, to guarantee reliable operation against environmental disturbances, such as vibration and shock on train. EKI-9510G-2GMPL & EKI-9510G-2GMPL is a Managed PoE Ethernet switch, it provides 8 x Gigabit Ethernet M12 X-code interface with IEEE802.3at/af PoE(Power Over Ethernet) function. PoE ports can total provide up to 100Watts power budget for P.D. devices (such as camera, IP-phone and wireless access point). It also provides 2 x Gigabit Ethernet M12 X-code interface with Bypass function, to increase the reliability of the network. EKI-9510G-2GMPL/ MPL features a "flat" design, can be easy deployed with its slender size and let network deployment more simple in crowded carriage/ cabinet.

Specifications

Interface

- I/O Port** 8 x M12 X-Coded 10/100/1000Mbps PoE ports + 2 x M12 X-Coded 10/100/1000Mbps ports with Bypass function
- Console port** M12 A-Coded
- Power Connector** M12 A-Coded

Physical

- Enclosure** Aluminum Shell
- Protection Class** IP 40
- Installation** Wall Mount
- Dimensions (W x H x D)** 216 x 132 x 59.3 mm
- Weight** 1.5kg

LED Display

- System LEDs** PWR1, PWR2, SYS, R.M., Alarm
- Port LED** Data, PoE

Environment

- Operating Temperature** -40 ~ 70°C (-40 ~ 158°F)
- Storage Temperature** -40 ~ 85°C (-40 ~ 185°F)
- Ambient Relative Humidity** 5 ~ 95% (non-condensing)

Power

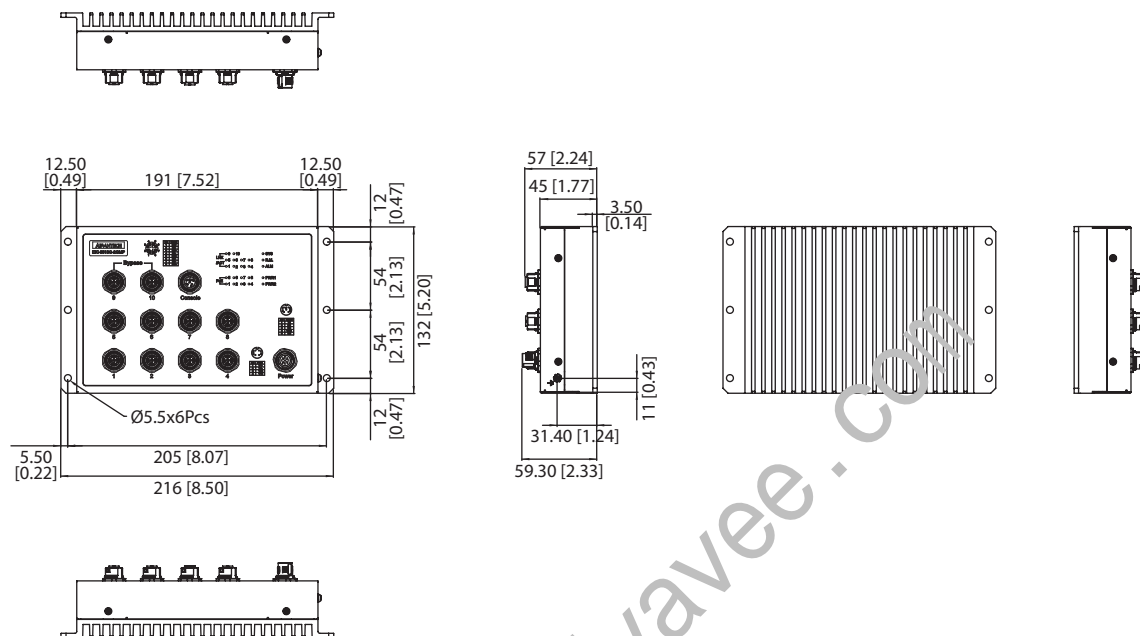
- Power Consumption** 10 Watts
- PoE Power Budget**
 - EKI-9510G-2GMPL: 120 Watts
 - EKI-9510G-2GMPL: 60 Watts
- Power Input**
 - EKI-9510G-2GMPL: 72/96/110 V_{DC}
 - EKI-9510G-2GMPL: 24/48 V_{DC}
- Operating Voltage**
 - EKI-9510G-2GMPL: 50.4~137.5 V_{DC}
 - EKI-9510G-2GMPL: 16.8~60 V_{DC}
 Dual inputs Supports Overload Current Protection
 Supports Reverse Polarity Protection

Certification

- EMI** FCC Part 15 Subpart B Class A
CE EN55032 (CISPR)
EN55024 Class A
- EMS** EN61000-4-2 (ESD); EN61000-4-3 (RS);
EN61000-4-4 (EFT); EN61000-4-5 (Surge);
EN61000-4-6 (CS)
- Shock** IEC 61373
- Vibration** IEC 61373
- Certificate** EN 50155; EN50121-3-2

Dimensions

Unit: mm [inch]



L2 Features

- **L2 MAC Address** 8K
- **Jumbo Frame** 9KB
- **VLAN Group** 256 (VLAN ID 1-4093)
- **VLAN** 802.1Q VLAN, GVRP
- **Port Mirroring** Per port, Multi-source port
- **IP Multicast** IGMP Snooping v1/v2/v3, MLD Snooping, IGMP Immediate leave
- **Storm Control** Broadcast, Multicast, Unknown unicast
- **Redundancy Protocol** IEEE 802.1D-STP, IEEE 802.1s-MSTP, IEEE 802.1w-RSTP, X-Ring Pro

QoS

- **Priority Queue** Scheduling WRR (Weighted Round Robin), SP (Strict Priority)
- **Class of Service** IEEE 802.1p based CoS, IP TOS, DSCP based CoS
- **Rate Limiting** Egress Rate limit
- **Link Aggregation** IEEE 802.3ad Dynamic Port Trunking, Static Port Trunking

Security

- **Port Security** Static, Dynamic
- **Authentication** 802.1x (Port-Based, MAC-Based), RADIUS, TACACS+
- **Advanced Security** IP Source Guard

Management

- **DHCP** Client, Server, Option 66/67
- **Access** SNMP v1/v2c/v3, WEB, Telnet, RMON, Standard MIB, Private MIB
- **Security Access** SSH 2.0, SSL
- **Software Upgrade** TFTP, HTTP, Dual Image
- **NTP** NTP server/client

Ordering Information

- **EKI-9510G-2GMPH-AE** 8 x M12 X-Coded PoE + 2 x M12 X-Coded Managed Ethernet Switch, 72/96/110V_{DC} dual power input
- **EKI-9510G-2GMPL-AE** 8 x M12 X-Coded PoE + 2 x M12 X-Coded Managed Ethernet Switch, 24/48V_{DC} dual power input

Accessories

PN		Description
OPT1-M12-CRP-8MX		Phoenix Contact M12 X-code 8 pin Male crimp type connector
OPT1-M12-CRP-5MA		Phoenix Contact M12 A-code 5 pin Male crimp type connector
OPT1-M12-CRP-4FA		Phoenix Contact M12 A-code 4 pin Female crimp type connector
OPT1-M12C-8MX-150R		M12 X-code 8 pin Male to RJ45, cable length:1.5m
OPT1-M12C-5MA-DB9		M12 A-code 5 pin Male to DB9 console, cable length:1.5m
OPT1-M12C-4FA-100		M12 A-code 4 pin Female to 1m cable
1990023703S000		M12 waterproof CAP (1pc.)