

# EKI-7428G-4X

# EKI-7428G-4XP

24GE+4 10G SFP L2 Managed Switch

24GE+4 10G SFP L2 Managed PoE Switch



CE FCC RoHS

## Features

- 24 Gigabit Ethernet Ports and 4 10G SFP Ports
- 0 to 60°C operating temperature range
- Supports 24 IEEE802.3af/at PoE ports (EKI-7428G-4XP)
- 400W Power Budget (EKI-7428G-4XP)
- Management: SNMP v1/v2c/v3, WEB, Telnet, Standard MIB
- IXM Function Enables Fast Deployment
- Redundancy: Gigabit X-Ring Pro ((Ultra High-Speed Recovery Time < 20 ms), RSTP/STP (802.1w/1D), MSTP

## Introduction

EKI-7428G series switches are equipped with 24 Gigabit Ethernet ports plus 4 10G SFP+ ports. They are ideal for large-scale networks with server and surveillance applications, like high-resolution videos and images, requiring high performance and large-scale data transmission. The EKI-7428G-4XP features IEEE 802.3af PoE (Power over Ethernet) providing up to 30 watts per port and up to 400 watts of power budget, making it ideal for applications requiring PoE and higher speeds. Designed for rack-mount installation with 1U 19" design, the EKI-7428G series integrate layer 2 switching software, delivering wire speed across all ports up to 128 Gbps for layer 2 and network nodes. It also supports up to 60°C wide operating temperature against the harsh environment.

## Specifications

### Interface

- **Ethernet Port** 24 x RJ45 (10/100/1000BASE-T)  
4 x SFP+ (1G/10G)
- **Console Port** RJ45
- **Power Connector** 3-pin Power Connector

### Physical

- **Enclosure** Metal Shell
- **Installation** 1U 19" Rack Mount
- **Dimension** EKI-7428G-4X: 441 x 44 x 196 mm  
(17.24" x 1.73" x 7.72")  
EKI-7428G-4XP: 441 x 44 x 270 mm  
(17.24" x 1.73" x 10.63")

### LED Display

- **System LED** ALM, SYS, PWR
- **Port LED** 1 ~ 24 Port: Link/ACT/Speed  
25 ~ 28 SFP+: Link/ACT
- **PoE LED** PoE, PoE/Max, (EKI-7428G-4XP)

### Environment

- **Operating Temperature** 0 ~ 60°C (32 ~ 140°F)
- **Storage Temperature** -40 ~ 70°C (-40 ~ 158°F)
- **Humidity** 10 ~ 90% (non-condensing)
- **MTBF** EKI-7428G-4X: 450,806 hours  
EKI-7428G-4XP: 263,048 hours

### Power

- **Power Consumption** 36 Watts (System)
- **Operating Input Range** 100-240V<sub>ac</sub>
- **PoE Total Power Budget** Up to 400Watts (EKI-7428G-4XP)

### Certification

- **Safety** LVD IEC/EN62368-1
- **EMC** CE EN 55032:2015+AC:2016 Class A  
EN 61000-3-2:2014 Class A  
EN 61000-3-3:2013  
EN 55035:2017  
FCC Part 15, Subpart B

### L2 Feature

- **L2 MAC Address** 16K
- **Jumbo Frame** 12KB
- **Switch Capacity** 128Gbps
- **Forwarding Rate** 95.2Mpps
- **VLAN group** 256 (VLAN ID 1~4094)
- **VLAN group** 802.1Q, GVRP
- **Port Mirroring** Per port, Multi-source port (4 Mirroring sessions Max.)
- **IP Multicast** IGMP Snooping v1/v2/v3, MLD Snooping
- **Storm Control** Broadcast, Multicast, Unknown Unicast
- **Redundant Protocol** IEEE 802.1D(STP), IEEE802.1s(MSTP), IEEE802.1w(RSTP), X-Ring Pro, X-Chain, Dual homing, Coupling

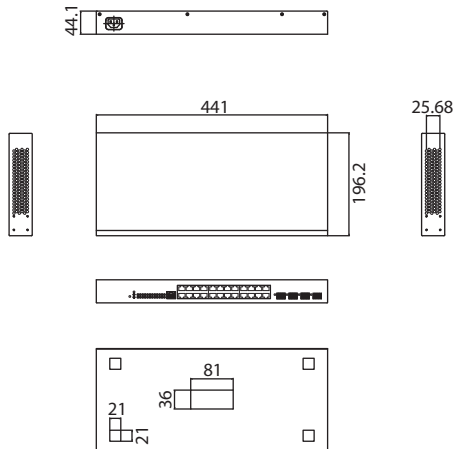
### Quality of Service

- **QoS function** Scheduling (STRICT/ WRR), Port Priority, 802.1p, DSCP, IP TOS/ precedence
- **Rate limit** Ingress/ Egrss Rate Limit
- **Max Priority Queues** 8

## Dimensions

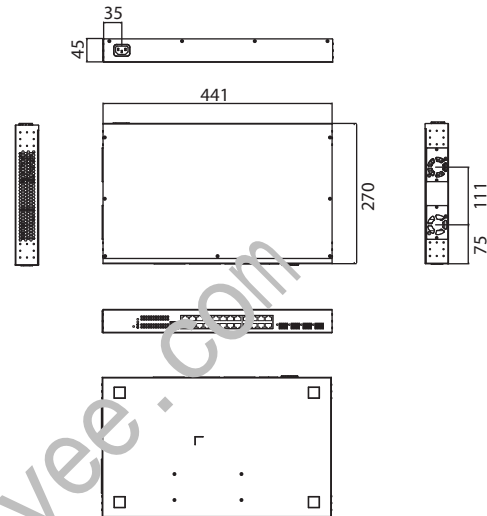
Unit: mm

### EKI-7428G-4X



**Panel Cut-out Dimensions (W x D x H): 441 x 196 x 44mm**

### EKI-7428G-4XP



**Panel Cut-out Dimensions (W x D x H): 441 x 270 x 44 mm**

### Security

- **Port Security** Static MAC, MAC Violation Notice, Port-based Loop Detection
- **Authentication** 802.1x (Port-based, MAC-based), RADIUS

### Management feature

- **DHCP** Client, Server, Option66/67/32, Port IP-Binding
- **Access** SNMP v1/v2c/v3, WEB, Telnet, Console, RMONv1, Standard MIB, Private MIB
- **Security Access** HTTPs, TLS 1.1
- **Software Upgrade** TFTP, HTTP, Dual Image
- **NTP** NTP Server/Client, SNTP Client
- **Other** IPv4, IPv6, Modbus TCP, IXM

### Ordering Information

- **EKI-7428G-4X-AE** 24GE+4 10G SFP L2 Managed Switch
- **EKI-7428G-4XP-AE** 24GE+4 10G SFP L2 Managed PoE Switch