

# EKI-2725 / I

## 5-Port Gigabit Unmanaged Industrial Ethernet Switch



### Features

- 5 x Gigabit Ethernet ports with auto MDI/MDI-X
- Supports 10/100/1000 Mbps auto negotiation
- Supports jumbo frame transmission up to 16KB
- Provides slim size, DIN rail with IP30 metal mechanism
- Redundant 12 ~ 48 V<sub>DC</sub> power input and P-Fail relay

### Introduction

The EKI-2725 supports Gigabit Ethernet, has a +12 ~ 48 V<sub>DC</sub> redundant input design, and is secured with a double protection mechanism: power polarity reverse protect and an overload current fuse. The former tolerates reverse power wiring while the latter secures the system from overload currents. Each port of the EKI-2725 has 2 LEDs to show the link status transmission speed and collision status and a relay output for alarm events. In the case of power failure, the built-in LED will activate the alarm to notify administrators. Engineers can simply verify the hardware status by checking the LED and perform troubleshooting easily and quickly. The EKI-2725 comes in a compact metal housing with an IP30 rating to protect against dusty industrial environments.

### Specifications

#### Communications

- **Standard** IEEE 802.3, 802.3u, 802.3x, 802.3ab
- **LAN** 10/100/1000BASE-TX
- **Transmission Distance** Up to 100 m (4-wire Cat.5e, Cat.6 B145 Cable)
- **Transmission Speed** Up to 1000 Mbps

#### Interface

- **Connectors** 5 x RJ45  
6-pin removable screw terminal (power & relay)
- **LED Indicators** P1, P2, P-Fail  
10/100/1000T (X): Link/Activity, Duplex/Collision

#### Power

- **Power Consumption** 2.5W
- **Power Input** 12 ~ 48 V<sub>DC</sub>, redundant dual inputs
- **Fault Output** 1 Relay Output

#### Mechanism

- **Dimensions (W x H x D)** 30 x 140 x 95 mm (1.18" x 5.51" x 3.74")
- **Enclosure** IP30, Metal shell with solid mounting kits
- **Mounting** DIN-rail, Wall

#### Protection

- **Power Reverse** Present
- **Overload current** Present

#### Environment

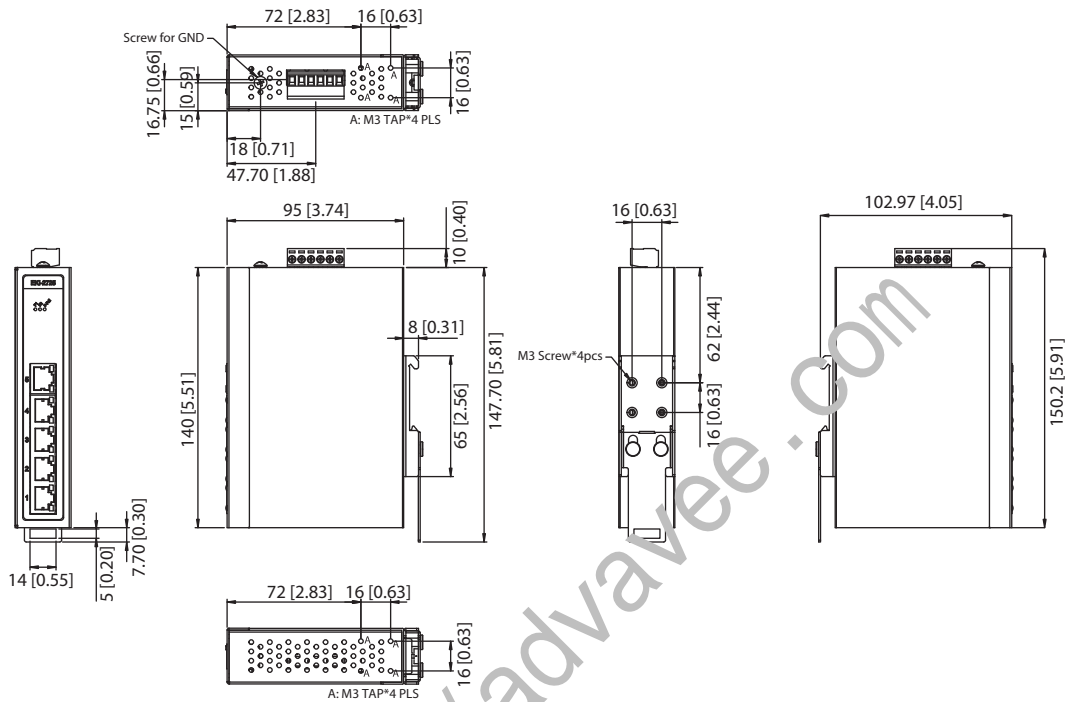
- **Operating Temperature** -10 ~ 60°C (14 ~ 140°F)  
-40 ~ 75°C (-40 ~ 167°F) / (I model)
- **Storage Temperature** -40 ~ 85°C (-40 ~ 185°F)
- **Operating Humidity** 10 ~ 95% (non-condensing)
- **Storage Humidity** 10 ~ 95% (non-condensing)
- **MTBF** 2,296,909 hours

#### Certifications

- **Safety** UL 60950
- **EMI** CE, FCC Class A
- **EMS** EN 61000-4-2  
EN 61000-4-3  
EN 61000-4-4  
EN 61000-4-5  
EN 61000-4-6  
EN 61000-4-8
- **Shock** IEC 60068-2-27
- **Freefall** IEC 60068-2-32
- **Vibration** IEC 60068-2-6

## Dimensions

Unit: [mm]



## Ordering Information

- EKI-2725-CE 5-port Gigabit Unmanaged Switch
- EKI-2725I-CE 5-port Gigabit Unmanaged Switch w/wide temp