

BB-PS12VLB-INT-MED

12 Vdc Medical-grade Power Supply with Locking Barrel Plug



Features

- 100 - 240 Vac, 50 - 60 Hz input
- 12 Vdc constant voltage output
- Medical grade
- Locking barrel plug
- 4 kV isolation
- Regulated switchmode AC-DC
- International input blades (included)

Introduction

Model BB-PS12VLB-INT-MED is a medical-grade, 12 Vdc power supply with a locking barrel plug for secure connections. It features 100–240 Vac input voltage (50-60 Hz) and 12 Vdc output. 4 kV isolation protects sensitive equipment from surges. Included international adapter blades allow connection anywhere in the USA, EU, Australia, UK or Canada.

Specifications

Power – Input, Output	
Input Voltage	100 - 240 Vac (90 - 264 Vac)
Input Current (RMS)	<0.6 A, maximum
Input Frequency	50 - 60 Hz (47 - 63 Hz)
Input Configuration	Wall, plug-in; interchangeable, international blades.
Output Voltage	12 Vdc
Output Current	2.08 A
Output Regulation	±5% nominal output voltage
Line Voltage Regulation	±1% maximum, full load
Output Ripple	<1%, typical
Output Plug	Female locking barrel, straight, center positive (+V) 5.5mm outer diameter, 2.5mm center conductor, 13.8mm length, 6.5mm thumb screw
Power Range	25 W
IN-rush Current	30A max, 120Vac cold start; 60A max, 230Vac cold start
Switching Frequency	66.5 KHz, typical
Isolation / Surge Protection	
Over-Voltage Protection	Limited to <130% of nominal voltage for main output
Over-Current / Short Circuit	HICCUP with auto-recovery to 1.1 – 1.3 IO
Other Protection	Input fusing
Dielectric Withstand Voltage	5656 Vdc, primary to secondary
Isolation	4 kV
Mechanical	
Dimensions, Main Housing	84.0 x 56.0 x 37.9 mm
Material, Main Housing	High-impact plastic, 94V0 polycarbonate, non-vented
AC Blades Included	USA, EU, UK, AU, CN

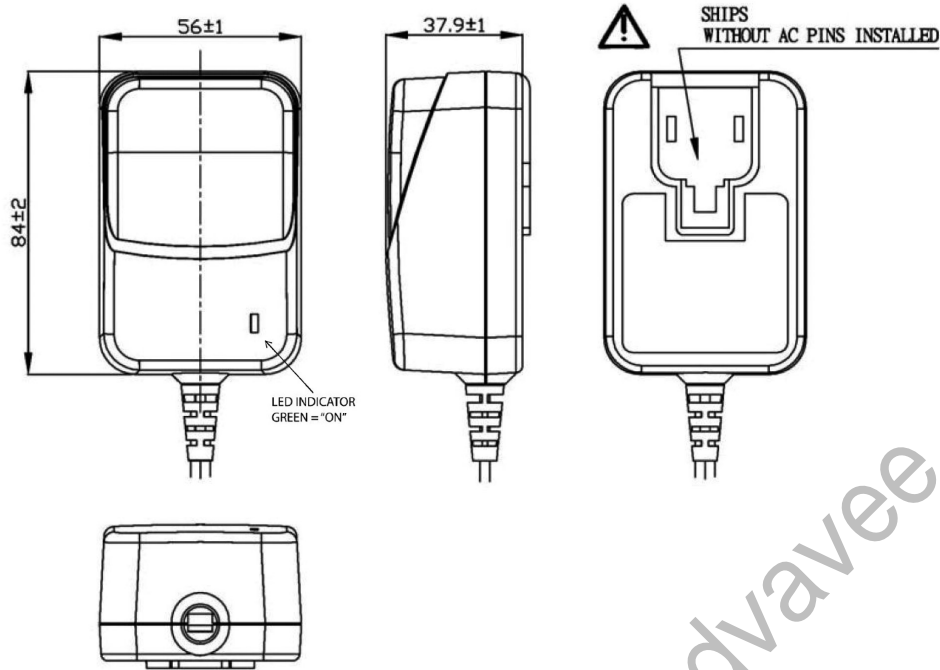
Ordering Information

Model No.	Description
BB-PS12VLB-INT-MED	Power Supply – 12 Vdc, Medical Grade, International Input Blades

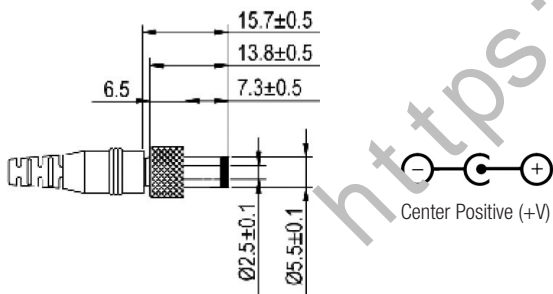
Mean Time Between Failures (MTBF)	
MTBF	200000 hours (+25 °C, ambient)
Environmental	
Operating Temperature	0 to +40 °C (+32 to +104 °F), ambient
Storage Temperature	-40 to +80 °C (-40 to +176 °F), ambient
Humidity	0 to +90%, relative
Regulatory – Approvals / Standards / Directives	
Certifications	FCC Part 15 Class B, Level IV CE, RoHS-3, REACH-209, WEEE, cRUus, CCC 2MOPP, C-Tick, China RoHS, GOST-R, NrCAN, Japan TUV, Ukraine UKRSevro, VCCI
CE	EMI: EN55011 Class B EN 55032 + AC EN 61000-3 -2, -3 EN 60601-1-2 EN 55024 EN 50082-1 EN 61000-4 -2, -3, -4, -5, -6, -8, -11 EN 61001-1-2

Dimensions

Enclosure



Output Plug



Input Blades

