

BB-232AMM5

D-subminiature Serial Cable – DB25M to DB25M



Features

- Fully molded backshell with strain relief for added protection
- 26 AWG stranded conductors for flexibility
- Thumbscrews for tool-less termination
- Wired straight-through
- All pins terminated

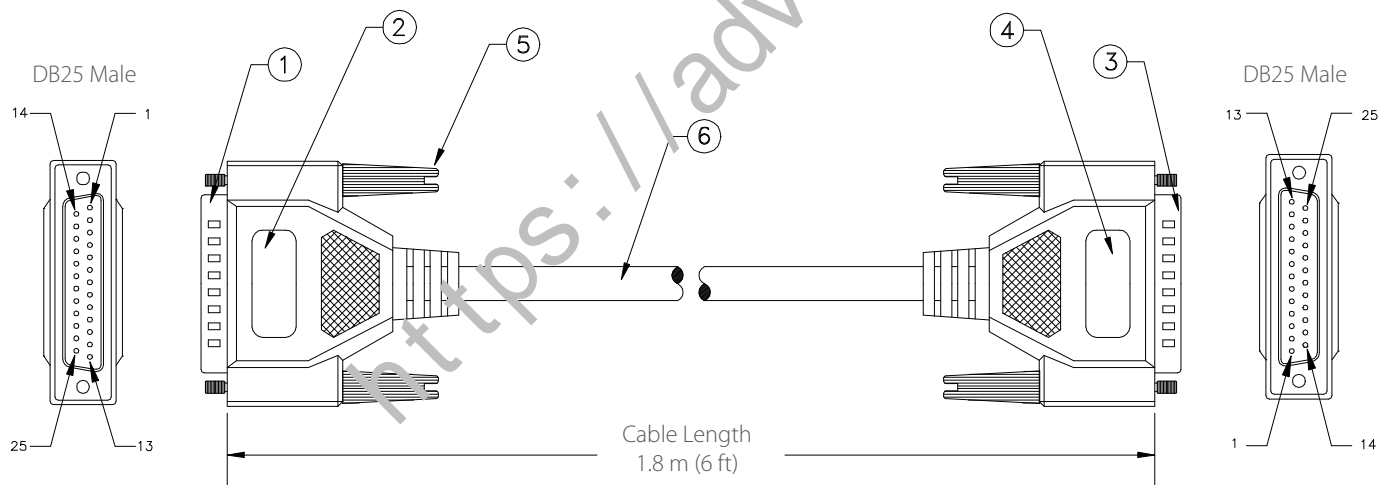
Introduction

This ready-to-use serial cable features molded connectors and gold plated contacts for superior corrosion resistance to ensure solid connections for the life of the cable. Suitable for connecting 25-pin serial devices to laptops, computers and expansion/interface cards.

Ordering Information

Model No.	Description	Length	Color
BB-232AMM5	DB25 Male to SB25 Male Serial Cable	1.8 m (6 ft.)	Beige

Mechanical Diagram



- ① D-subminiature 25-pin male with gold plating contacts
- ② Beige-color molded PVC hood, fully shielded with aluminum foil
- ③ D-subminiature 25-pin male with gold plating contacts
- ④ Beige-color molded PVC hood, fully shielded with aluminum foil
- ⑤ 4/40 molded thumbscrew, beige-color
- ⑥ 28 AWG, 25 conductors + drain wire, single-shielded with aluminum foil, beige-color outer PVC jacket