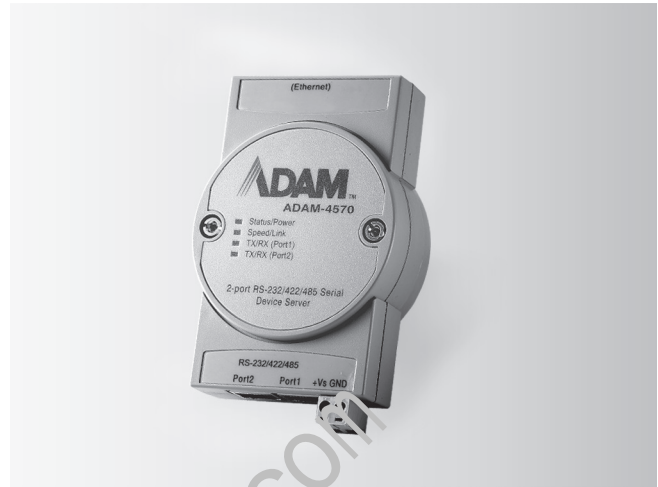
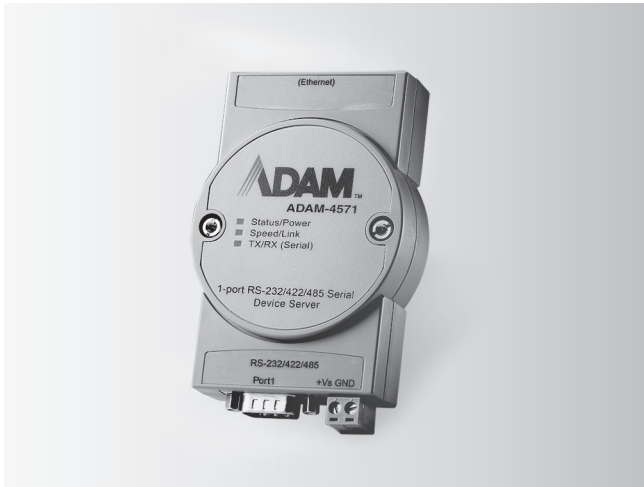


ADAM-4571/L

ADAM-4570/L

1-port RS-232/422/485 Serial Device Server

2-port RS-232/422/485 Serial Device Server



Specifications

Ethernet Communications

- **Compatibility** IEEE 802.3, IEEE 802.3u
- **Speed** 10/100 Mbps
- **No. of Ports** 1
- **Port Connector** 8-pin RJ45
- **Protection** Built-in 1.5 KV magnetic isolation

Serial Communications

- **Port Type** ADAM-4571/4570: RS-232/422/485, software selectable
ADAM-4571L/4570L: RS-232
- **No. of Ports** ADAM-4571/4571L: 1
ADAM-4570/4570L: 2
- **Port Connector** ADAM-4571/4571L: DB9, male
ADAM-4570/4570L: 10-pin RJ-48
- **Data Bits** 5, 6, 7, 8
- **Stop Bits** 1, 1.5, 2
- **Parity** None, Odd, Even, Space, Mark
- **Flow Control** XON/XOFF, RTS/CTS
- **Baud Rate** 50 bps ~ 921,600 kbps, any baud rate setting
- **Serial Signals** RS-232: TxD, RxD, CTS, RTS, DTR, DSR, DCD, RI, GND
RS-422: TxD+, TxD-, RxD+, RxD-, GND
RS-485: Data+, Data-, GND
- **Protection** 15 KV ESD protection for all signals

Software

- **OS Support** 32-bit/64-bit Windows XP/Vista/7/8, Windows Server 2003/2008/2008 R2/2012, Windows CE 5.0, and Linux
- **Utility Software** Advantech EKI Device Configuration Utility
- **Operation Modes** COM port redirection (Virtual COM)
TCP/UDP server (polling) mode
TCP/UDP client (event handling) mode
Pair Connection (peer to peer) mode
- **Configuration** Windows utility, Telnet console, Web Browser
- **Protocol** ARP, ICMP, IP, TCP, UDP, BOOTP, DHCP Client, Auto IP, Telnet, SNMP, HTTP, DNS, SMTP

Mechanics

- **Dimension (W x H x D)** 70 x 130 x 30 mm (2.76" x 5.12" x 1.18")
- **Enclosure** ABS+PC with solid mounting hardware
- **Mounting** DIN-rail, Stack, Wall
- **Weight** ADAM-4571/4571L: 135 g
ADAM-4570/4570L: 160 g

General

- **LED Indicators** System: Power, System Status
LAN: Speed, Link/Active
Serial: Tx, Rx
- **Reboot Trigger** Built-in WDT (watchdog timer)

Power Requirements

- **Power Input** 10 ~ 30 V_{DC}
- **Power Connector** Terminal block
- **Power Consumption** ADAM-4571/4571L: 2.5 W
ADAM-4570/4570L: 2.5 W

Environment

- **Operating Temperatures** -10 ~ 60°C (14 ~ 140°F)
- **Storage Temperature** -20 ~ 80°C (-4 ~ 176°F)
- **Operating Humidity** 5 to 95% RH

Regulatory Approvals

- **EMC** CE, FCC Part 15 Subpart B (Class A)

Ordering Information

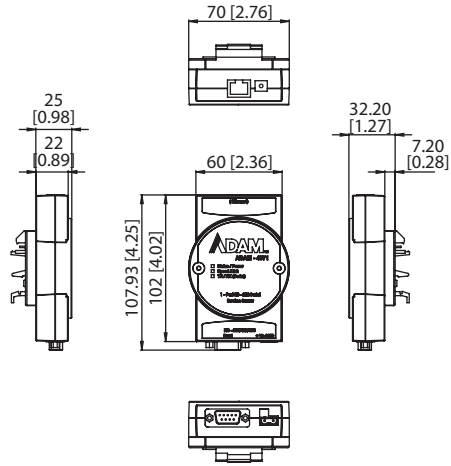
- **ADAM-4571-CE** 1-port RS-232/422/485 Serial Device Server
- **ADAM-4571L-DE** 1-port RS-232 Serial Device Server
- **ADAM-4570-CE** 2-port RS-232/422/485 Serial Device Server
- **ADAM-4570L-DE** 2-port RS-232 Serial Device Server

*ADAM-4570/4570L includes 2pcs 1 m RJ48 to DB9 Male Cables

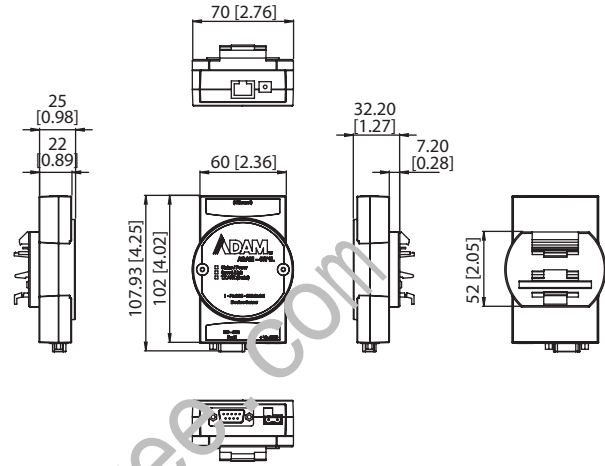
Dimensions

Unit: mm [inch]

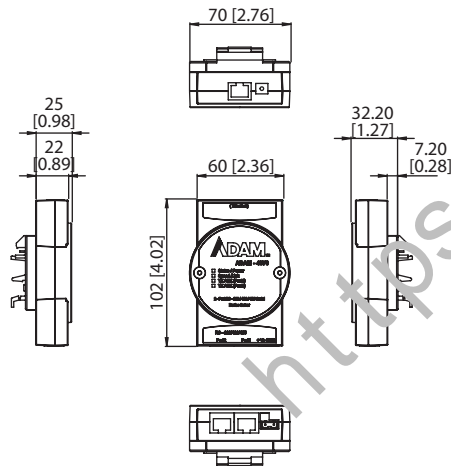
ADAM-4571



ADAM-4571L



ADAM-4570



ADAM-4570L

