

ABDNA-er-DP551x model series

Wi-Fi Dual Band Enterprise Ethernet Bridge/Router



Features

- 10/100 Mbps to 802.11a/b/g/n dual band (2.4 GHz, 5 GHz)
- Compact form factor
- Advanced Enterprise Class wireless security (WPA2-Enterprise, WPA, WEP, EAP)
- 5 V_{DC} external power input (powered from AC or USB port)
- External power supply required
- Available in OEM version (without enclosure)

Introduction

ABDNA enterprise wireless bridges and access routers are built for networking equipment in a wide array of machine-to-machine (M2M) applications. The compact form factor, integrated options and ease of use make it ideal for commercial enterprise environments

Specifications

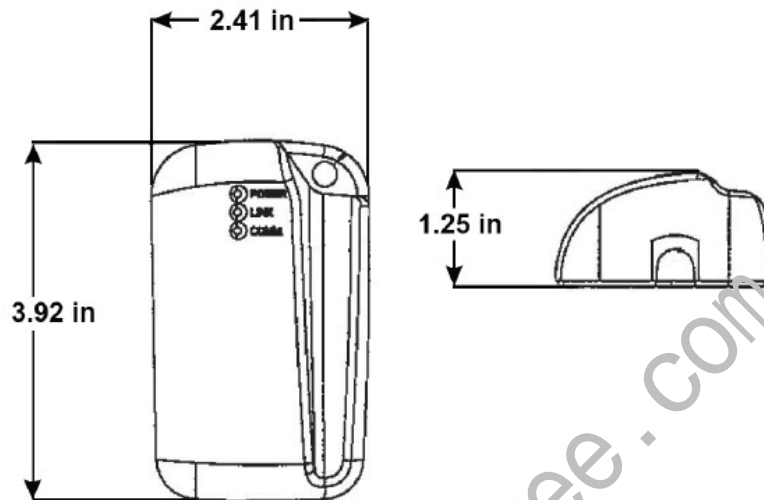
Ethernet Communications	
Speed	10/100 Ethernet Port – Bridge, Router (NAT3) Modes
Wireless LAN Communications	
Compatibility	IEEE 802.11a/b/g/n, Wi-Fi compliant
Antenna	Integrated RP-SMA Omni-directional 2dBi 2.4/5 GHz Antenna
Network Access Modes	Infrastructure (Client)
Security Protocols	Disabled, WEP 64 & 128 bit, WPA (TKIP), WPA (AES), WPA2 (AES), 802.1x (EAP) Supplicant 802.11i, WPA & Wi-Fi Enterprise supplicants (EAP-TLS, EAP-TTLS(MSCHAPv2), EAPTTLS (MDS5), EAP-PEAPv0 (MSCHAPv2, LEAP), EAP-FST, LEAP) Supports Certificates and Private Key Upload and Storage (multiple)
Frequency	2412MHz–2483.5MHz (US/Canada/Europe) 5150–5725MHz (US/Canada/Europe) 5745–5825 MHz (US/Canada)
Wireless Data Rate	802.11b: 1, 2, 5.5, 11Mbps 802.11a/g: 6, 9, 12, 18, 24, 36, 48, 54Mbps 802.11n: up to 150Mbps-single
Output Power	WLAN 2.4GHz 11b: 15dBm +/- 1.5dB 11g: 15dBm +/- 1.5dB 11n BW20: 15dBm +/- 1.5dB 11n BW40: 14.5dBm +/- 1.5dB WLAN 5GHz 11a: 13dBm +/- 2dB 11n BW20: 13dBm +/- 2dB 11n BW40: 12dBm +/- 2dB

Receive Sensitivity	WLAN 2.4GHz 11b 11M: -88dBm 11g 54M: -75dBm 11n MCS7 BW20: -72dBm 11n MCS7 BW40: -69dBm WLAN 5GHz 11a 54M: -72dBm 11n MCS7 BW20: -69dBm 11n MCS7 BW40: -68dBm
Network Protocols	TCP/IP, ARP, ICMP, DHCP, DNS, UDAP, TFTP, UDP, PING
LED Indicators	3 LED Indicators (Power, LINK, COMM)
Mechanics	
Enclosure	Nylon (gray), cradle base
Dimensions	6.12 x 9.96 x 3.18 cm (2.41 x 3.92 x 1.25 in)
Power Requirements	
Power Input	5.0 V _{DC} ±5%
Power Connector	USB (2 open USB ports required; dual USB port power cable included) Note: external power source required - see ordering table.
Environment	
Operating Temperature	-20 to +85 °C
Storage Temperature	-20 to +85 °C
Operating Humidity	10 ~ 95% (non-condensing)
Regulatory Approval	
Certificate	EMC CE, FCC part 15 subpart B

ABDNA-er-DP551x model series

Dimensions

Unit: inch



Order Information

Model Number	Description	Ethernet Connector	Powering
ABDNA-ER-DP551	Ethernet Bridge/Router	RJ45	AC Power Supply included with NATAM cable
ABDNA-ER-DP551U	Ethernet Bridge/Router	RJ45	Dual USB port power cable included. (USB powered – 2 open USB ports required)

World-wide. Check with your local distributor for availability and options.

Accessories - sold separately

Part Number	Description
BB-ACH2-DBAT-DP002	2 dBi - 2.4/5 GHz replacement antenna, rubber duck, RP-SMA