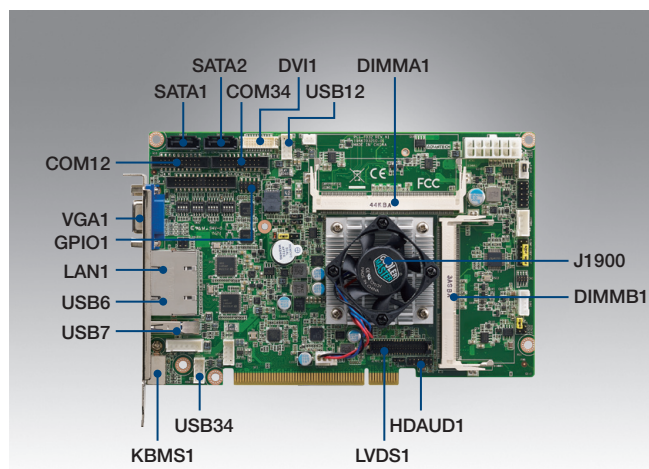


PCI-7032

Intel® Celeron J1900/N2930 PCI Half-size SBC with DDR3L 1333/Dual GbE/ m-SATA/4 RS-232/422/485



Features

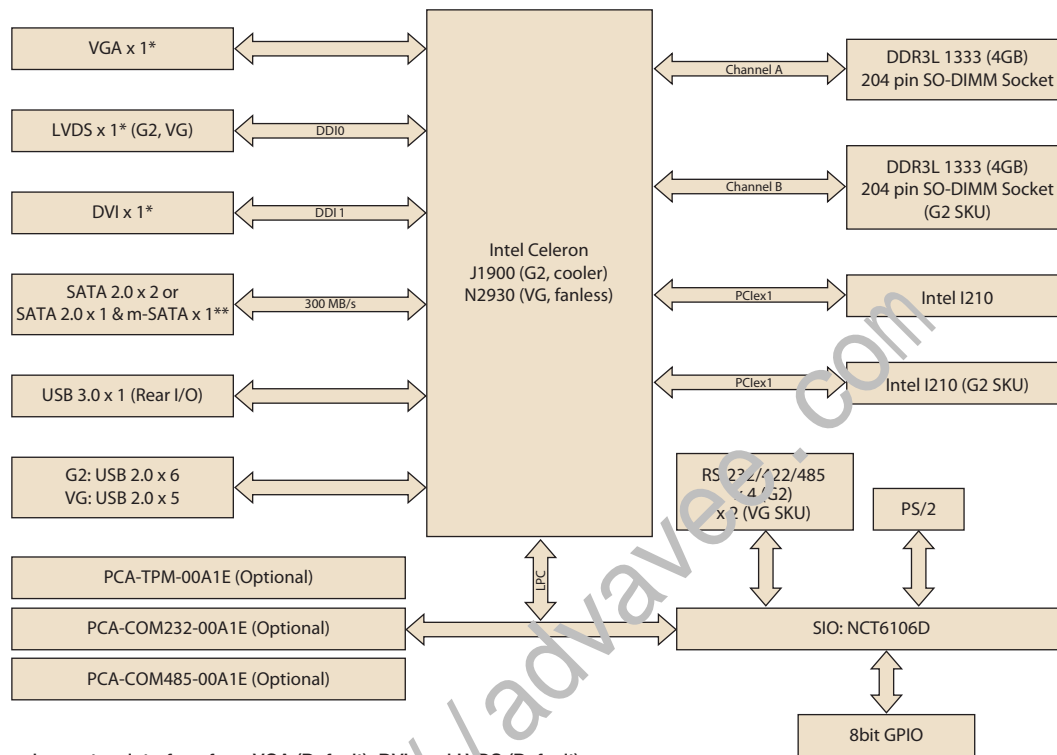
- Ultra low power Intel® Celeron processor J1900/N2930, VG SKU is fanless design
- Dual channel DDR3L 1066/1333 on 204-pin SO-DIMM socket
- Dual independent display
- Up to 2 GbE LAN
- 2 SATA 2.0 (300 MB/s), one of them can be configured as m-SATA
- Legacy I/O: 4 RS-232/422/485

Quiet Specifications

CE FCC

Processor System	CPU	Intel Celeron N2930	Intel Celeron J1900
	Speed	1.83 GHz	2.0 GHz
	L2 Cache	2 MB	2 MB
	BIOS	AMI 64Mb SPI Flash	
Bus	PCI	Four 32 bit/33 MHz PCI Masters on Backplane	
Memory	Technology	G2: Dual channel DDR3L-1333 VG: DDR3L-1333	
	Max. Cap.	8 GB (4GB per DIMM)	
	Socket	DDR3 204-pin SO-DIMM x1 (VG); x2 (G2, F)	
Graphics	Onboard	Chipset integrated Intel® HD Graphics	
	VRAM	Shared system memory. It subjects to the OS.	
	Video Interface	Dual independent display: choosing two interfaces from VGA (default), LVDS (default), and DVI	
	Video Output	VGA: Supports up to 2560 x 1600 @ 60 Hz LVDS: 48 bit (Dual channel 24 bit) LVDS up to 1920 x 1200 @ 60 Hz DVI: Supports up to 2560 x 1600 @ 60 Hz Dual independent display: choosing two interface from VGA (Default), DVI and LVDS (Default)	
Ethernet	Interface	10/100/1000 Mbps	
	Controller	LAN1: Intel I210-AT LAN2: Intel I210-AT (G2)	
	Connector	RJ-45 with LED Connector x 2	
SATA	Max. Transfer Rate	300 MB/s (SATA 2.0)	
	Channel	2 (SATA2 can be configured as m-SATA)	
I/O Interface	USB 2.0	G2: one USB 3.0 (5Gbps, rear I/O), six USB 2.0 (480Mbps, pin-header x6) VG: one USB 3.0 (5Gbps, rear I/O), five USB 2.0 (480Mbps, pin-header x4, rear I/O x1)	
	Serial	Four RS-232/422/485 for G2; Two RS-232/422/485 for VG	
	PS/2	1 (for mouse and keyboard, a Y cable is included in the package)	
Watchdog Timer	Output	System reset	
	Interval	Programmable, 1-255 sec/min	
Miscellaneous	Audio Output	Intel High Definition audio interface (requires a audio extension module)	
Environment	Temperature	Operating	Non-Operating
		0 ~ 60 °C (32 ~ 140 °F) (operating humidity: 40 °C @ 85% RH Non-Condensing)	
Power Requirement	Test Environment	Intel Celeron J1900 (2GHz), DDR3L 1333, 4GB SO-DIMM module*2	
	Voltage	12V	5V 5VSB
	Current	0.737A	0.298A 0.044A
Physical	Dimensions (L x H)	185 x 122 mm (7.3" x 4.8")	

Block Diagram



* Dual display, choose two interface from VGA (Default), DVI, and LVDS (Default)
 ** SATA2 connector can be configured as m-SATA.

Ordering Information

Model Name	SoC	Memory	DIMM Slot	Fanless	USB	COM Port	PCIe x 1	LAN	VGA	LVDS	DVI	m-SATA	HW Monitor
PCI-7032G2-00A3	J1900	Dual channel DDR3L-1333 up to 8GB (204-pin SO-DIMM socket x2)	2	No	1 x USB 3.0 6 x USB 2.0	4	No	2	Yes	Yes	Yes	Yes	Yes
PCI-7032VG-00A3	N2930	DDR3L-1333 up to 4GB (204-pin SO-DIMM socket x1)	1	Yes	1 x USB 3.0 5 x USB 2.0	2	No	1	Yes	Yes	Yes	Yes	No

Optional Accessories

Part Number	Description
PCA-COM485-00A1E	4x RS-422/485 module
PCA-COM232-00A1E	4 x RS-232 module
PCA-TPM-00A1E	TPM module (Trusted platform management)
1700021831-01	DVI cable
1700000265	12 pin-12 pin ATX power cable kit
1703100261	2-port USB cable kit
PCA-AUDIO-HDB1E	Audio-card, B1 version

*PCI-7032 do not support PCA-AUDIO-HDA1E

Packing List

Part Number	Description	Quantity
1960046526N001	CPU cooler for Celeron J1900 SoC (only available for G2 SKU)	x 1
1700003194	Serial ATA HDD data cable	x 1
1700008762	Dual COM ports cable kit	x2 (G2) x1 (VG)
1700002343	ATX feature cable	x 1
1700014398-11	4-port USB cable kit	x 1
1700060202	Y cable for PS/2 keyboard and PS/2 mouse	x 1
2001703200	PCI-7032 startup manual	x 1
2061703200	DVD with driver utility and manual (in PDF format)	x 1

I/O View



PCI-7032G2-00A3



PCI-7032VG-00A3