

ITA-360

Fanless System with 12th/13th Generation Intel® Core™ i Processors for Traffic Management Application

NEW



Features

- Intel® 12th/13th generation Core™ i9/i7/i5/i3 Processors
- Support 2 x SO-DIMM slots, up to 64G DDR4
- Support 4 x 2.5G LAN, 4 x USB3.2, 4 x COM ports
- Support 2 x 2.5" storage, 1 x mSATA, 1 x M.2 B key
- Support wide temperature -25 ~ 60 °C
- Support 9 ~ 36V wide range DC input

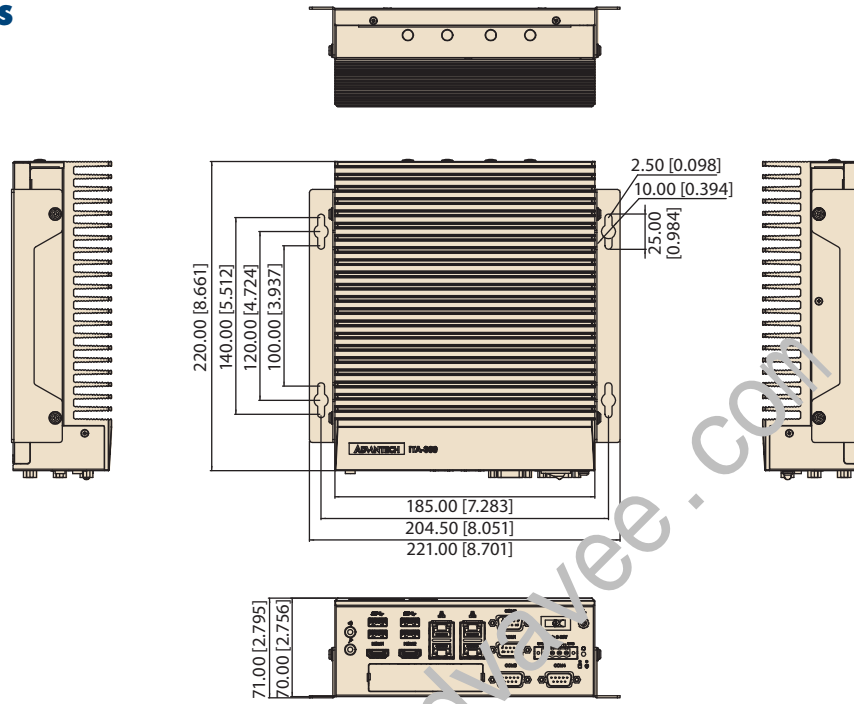


Specifications

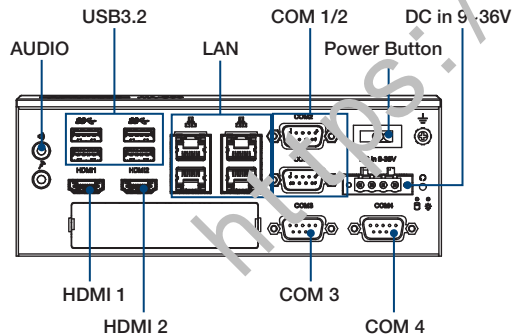
13th Processor System	CPU	i3-13100T(E)	i5-13500T(E)	i7-13700T(E)	i9-13900T(E)	i3-13100(E)	i5-13500(E)	i7-13700(E)	i9-13900(E)
	Total Cores	4	14	16	24	4	14	16	24
	Total Threads	8	20	24	32	8	20	24	32
	Performance-core Base Frequency (up to)	2.40 GHz	1.30 GHz	1.10 GHz	1.00 GHz	3.30 GHz	2.40 GHz	1.90 GHz	1.80 GHz
	L3 Cache	12 MB	24 MB	30 MB	36 MB	12 MB	24 MB	30 MB	36 MB
	TDP	35 W	35 W	35 W	35 W	60 W	65 W	65 W	65 W
Operating Temperature	60/65W: -25 ~ 50 °C (with industry SSD, 0.7m/s airflow) 35W: -25 ~ 60 °C (with industry SSD, 0.7m/s airflow)								
12th Processor System	CPU	i3-12100T(E)	i5-12500T(E)	i7-12700T(E)	i9-12900T(E)	i3-12100(E)	i5-12500(E)	i7-12700(E)	i9-12900(E)
	Total Cores	4	6	12	16	4	6	12	16
	Total Threads	8	12	20	24	8	12	20	24
	Performance-core Base Frequency (up to)	2.10 GHz	1.90 GHz	1.40 GHz	1.10 GHz	3.20 GHz	2.90 GHz	2.10 GHz	2.30 GHz
	Cache	12 MB	18 MB	25 MB	30 MB	12 MB	18 MB	25 MB	30 MB
	TDP	35 W	35 W	35 W	35 W	60 W	65 W	65 W	65 W
Operating Temperature	60/65W: -25 ~ 50 °C (with industry SSD, 0.7m/s airflow) 35W: -25 ~ 60 °C (with industry SSD, 0.7m/s airflow)								
Memory	Technology	Dual-channel DDR4 2400/2666/3200 MHz SO-DIMM (without ECC)							
	Capacity	Up to 64GB							
Graphics	Controller	Intel® UHD Graphics 770							
	HDMI	2 x HDMI, support HDMI1.4 standard, max to 3840 x 2160 @ 30Hz							
	DP	2 x Box Header on board							
	Display Option	3 x independent displays (third display output via optional cable)							
Ethernet	Interface	100/1000/2500 Mbps							
	Controller	4 x Intel I226							
	Connector	4 x RJ-45							
Storage	Internal	1 x mSATA socket 1 x M.2 B key for 2280 SATA SSD							
	External	2 x 2.5" storage bay							
I/O	SATA	2 x SATA							
	USB	4 x USB3.2 (gen1)							
	LAN	4 x RJ45							
	Serial Port	2 x DB9 (RS232/422/485 with automatic flow control) 2 x DB9 (only RS232)							
	M.2	1 x M.2 B key (SATA/ USB 3.0 signal) for 2280 SATA SSD or 3052 5G module							
	Audio	1 x Speaker out, 1 x Mic-in							
Expansion Slot	Mini PCIe	1 x Mini PCIe & SIM slot							
Power	Input Voltage	9 ~ 36V DC in							
	Output	System reset							
Watchdog Timer	Interval	Programmable 1~255 sec/min							
	Operating Temperature	Industry SSD: max to -25 ~ 60 °C (with 0.7m/s airflow)							
Environment	Storage Temperature	-40 ~ 85 °C							
	Dimension (W x H x D)	185 x 70 x 220 mm							
Mechanical Features	Install	Wall mount bracket							
	EMC	CE/FCC, CCC, BSMI							
Certifications	Safety	UL, CCC, BSMI							
	Windows	WIN10, WIN11							
OS	Linux	Ubuntu, Fedora							

Dimensions

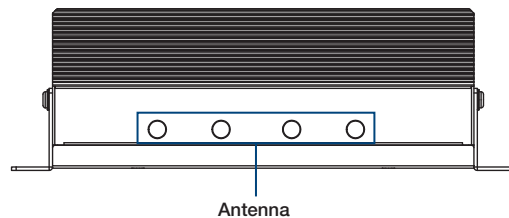
Unit: mm [inch]



Front View



Rear View



Ordering Information

Part Number	SO-DIMM slots (DDR4)	LAN (RJ-45)	USB3.2	COM	HDMI	M.2	SSD	Msata/MiniPCIe	IDOOR
ITA-360V1-00A1	2	4	4	4	2	1	2	1	1

Optional Accessory

Part Number	Description
96PSA-A230W24P4-3	ADP A/D 100-240V 230W 24V C14 TERMINAL BLOCK 4P
9891B17120E	Econ Package 9891B17120E for 9696B17120E
1700020944-01	F Cable D-SUB 9P(M)x2/IDE#2 20P-2.0 25cm ITA-171
1700024019-01	A CABLE HDMI 19P/2*10P-1.25 22cm
1700028645-01	M CALBE DP 20P(F)/2x10P-1.25+G-TEM 3.2 6CM

Optional Indoor Modules

Part Number	Description
PCM-24R2GL-AE	2 Port Giga LAN Intel i350 PCIe mini card
PCM-26D2CA-AE	SJA1000 CANBus, CANOpen, DB9 x 2
PCM-24U2U3-BE	PCM-24U2U3, 2-Port USB 3.0, mPCIe
PCM-24D2R2-BE	Isolated RS-232, DB9 x 2, (USB type)
PCM-24D2R4-BE	Isolated RS-422/485, DB9 x 2, (USB type)

Packing List

Part Number	Description
1652003234	PLUG-IN BLOCK 4P 5.00mm 90D(F)MC101-50004Y
1960109429N001	Mounting Bracket for ITA-360 Powder 877C