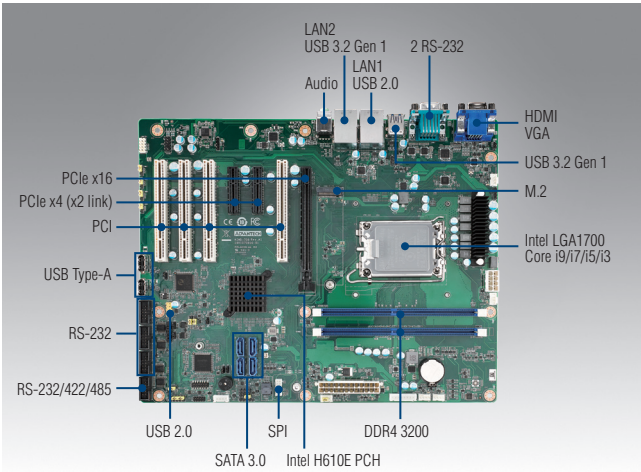


AIMB-708

LGA1700 12th/13th/14th Generation Intel® Core™ i9/i7/i5/i3 & Pentium®/Celeron® ATX with HDMI/VGA, DDR4, USB 3.2, M.2, 6 COMs



Features

- Intel® 12th/13th/14th generation Core™ i9/i7/i5/i3 & Pentium®/Celeron® processor with H610E chipset
- Two DIMM sockets up to 64GB DDR4 3200
- Dual display HDMI/VGA and dual GbE LAN
- M.2, SATA 3.0, USB 3.2 Gen1
- 5 RS-232 and 1 RS-232/422/485 serial ports
- 1 PCIe x16 (Gen 4) and 2 PCIe x4 (x2 Gen 3 link), and 4 PCI expansion slots

Note 1: Legacy platform is not supported.

Note 2: dTPM 2.0 module is required to enable Intel vPro and TPM technologies.

Note 3: Intel® Platform Trust Technology (Intel® PTT) ready for Windows 11.

Quiet Specifications

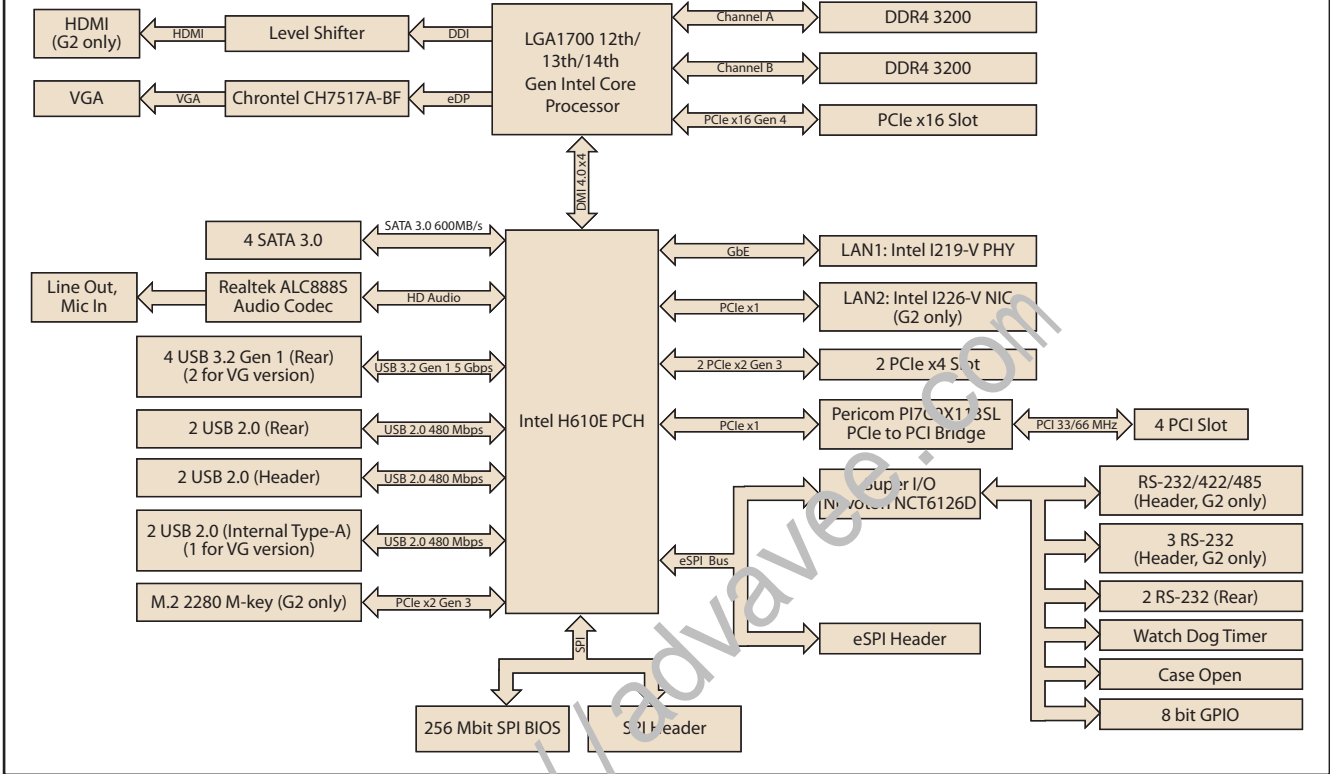


	CPU	i9-14900	i9-14900T	i7-14700	i7-14700T	i5-14500	i5-14500T	i5-14400	i5-14400T	i5-14400F	i3-14100	i3-14100T	300	300T					
14th Generation Processors	P-core Base Frequency	2.0 GHz	1.1 GHz	2.1 GHz	1.3GHz	2.6 GHz	1.7 GHz	2.5 GHz	1.5 GHz	2.5 GHz	3.5 GHz	2.7 GHz	3.9 GHz	3.4 GHz					
	L3 Cache	36 MB	36 MB	33 MB	33 MB	24 MB	24 MB	20 MB	20 MB	20 MB	12 MB	12 MB	6 MB	6 MB					
	Cores	24	24	20	20	14	14	10	10	10	4	4	2	2					
	Processor Base Power	65 W	35 W	65 W	35 W	65 W	35 W	35 W	35 W	65 W	60 W	35 W	46 W	35 W					
13th Generation Processors	CPU	i9-13900(E)	i9-13900TE	i7-13700(E)	i7-13700T(E)	i5-13500(E)	i5-13500T(E)	i5-13400(E)	i3-13100(E)	i3-13100T(E)									
	P-core Base Frequency	2.0 GHz	1.1 GHz	2.1 GHz	1.4 GHz	2.5 GHz	1.7 GHz	2.5 GHz	3.4 GHz	2.5 GHz									
	L3 Cache	36 MB	36 MB	30 MB	30 MB	24 MB	24 MB	20 MB	12 MB	12 MB									
	Cores	24	24	16	16	14	14	10	4	4									
12th Generation Processors	CPU	i9-12900(E)	i9-12900TE	i7-12700(E)	i7-12700T(E)	i5-12500(E)	i5-12500T(E)	i5-12500TE	i3-12100(E)	i3-12100TE	Pentium G7400TE	Pentium G7400TE	Celeron G6900E	Celeron G6900TE					
	P-core Base Frequency	2.4 GHz	2.3 GHz	2.1 GHz	1.4 GHz	2.5 GHz	1.9 GHz	3.2 GHz	2.1 GHz	3.6 GHz	3.0 GHz	3.0 GHz	3.0 GHz	2.4 GHz					
	L3 Cache	30 MB	30 MB	25 MB	25 MB	18 MB	18 MB	12 MB	12 MB	6 MB	6 MB	4 MB	4 MB	4 MB					
	Cores	16	16	12	12	6	6	6	4	4	2	2	2	2					
Processor System	TDP	65 W	35 W	65 W	35 W	65 W	35 W	65 W	35 W	65 W	35 W	46 W	35 W	46 W					
	Socket	LGA 1700																	
	Chipset	H610E																	
Expansion Slot	BIOS	AMI 256Mbit SPI Flash																	
	PCI	4 (32-bit/33 MHz)																	
Memory	PCIe x4 (Gen 3)	2 (x2 link)																	
	PCIe x16 (Gen 4)*	1																	
Graphics	Technology	Dual Channel, Non-ECC, DDR4 3200																	
	Max Capacity	64 GB																	
Ethernet	Sockets	2 x 28-pin DIMM																	
	Controller	Chipset Integrated Intel UHD Graphics																	
SATA	VRAM	Shared system memory is subject to OS																	
	Interface	LAN1: 10/100/1000 Mbps; LAN2: 10/100/1000/2500 Mbps (G2 only)																	
Rear I/O	Controller	GigE LAN1: Intel I219-V GigE LAN2: Intel I226-V (G2 only)																	
	Connector	RJ-45																	
Internal Connectors	Max Data Transfer Rate	600 MB/s																	
	Channel	4																	
Watchdog Timer	VGA	1 (Resolution up to 1920 x 1200 @ 60 Hz)																	
	HDMI	1 for G2 version (Resolution up to 4096 x 2304 @ 30Hz)																	
	Ethernet	2 for G2 version; 1 for VG version																	
	USB	G2: 6 (4 x USB 3.2 Gen 1 + 2 USB 2.0) VG: 4 (2 x USB 3.2 Gen 1 + 2 USB 2.0)																	
	Audio	2 (Line-out, Mic-in)																	
	Serial	2 (RS-232)																	
Power Requirement*	USB	G2: 4 (2 x USB 2.0 via pin header, 2 x USB 2.0 Type-A connector) VG: 3 (2 x USB 2.0 via pin header, 1 x USB 2.0 Type-A connector)																	
	Serial	G2: 4 (3 x RS-232, 1 x RS-232/422/485)																	
	SATA	4																	
	M.2	G2: 1 (PCIe x2 M-key 2280 type)																	
	SPI	1 (Optional dTPM 2.0 module available)																	
	GPIO	8-bit																	
Environment	Output	System reset																	
	Interval	Programmable 1 - 255 sec																	
Test Environment	Test Environment	Intel Core i 65W; DDR4 32 GB x 2																	
	Voltage	+3.3V			+5V			+12V			+5Vsb			-12V			-5V		
	Current	1.18 A			1.65 A			0.06 A			0.06 A			0.05 A			0.01 A		
Physical Characteristics	Operating	0 - 60 °C (32 - 140 °F), depends on CPU speed and system thermal solution																	
	Humidity	40 °C @ 95% RH Non-condensing																	
Physical Characteristics	Non-Operating	-40 - 85 °C (-40 - 185 °F)																	
	Humidity	60 °C @ 95% RH Non-condensing																	
Physical Characteristics	Dimensions (L x H)	304.8 x 244 mm (12" x 9.6")																	

* The PCIe x16 slot, from CPU, can only support graphic cards and storage cards according to the specification recommended by Intel. Other types of add-on cards might not work properly. For the compatible device list validated on the PCIe x16 slot, please refer to the user manual.

* CPU power requirement, +V12_BP, is not included.

Block Diagram



Ordering Information

Part Number	Chipset	Memory	Display	USB 3.2 Gen 1	USB 2.0	COM	GbE LAN	AMT	M.2	SATA	SW RAID	Intelligent System Module Support
AIMB-708G2-00A1	H610E	Non-ECC	HDMI + VGA	4	6	6	2	No	1	4	No	No
AIMB-708VG-00A1	H610E	Non-ECC	VGA	2	5	2	1	No	0	4	No	No

Packing List

Part Number	Description	Quantity
1700003194	SATA HDD cable	x2
1960106346T001	I/O port bracket (for 2U chassis or higher)	x1
2041070800	Startup manual	x1

Note: Driver CD is not provided. Please visit Advantech support website for driver download.

I/O View



AIMB-708G2-00A1



AIMB-708VG-00A1

Optional Accessories

Part Number	Description
1701090401	Single COM port cable (40 cm)
1701092300	Dual COM port cable (28.5 cm)
1970005349T000	CPU cooler for 2U, 4U, and wallmount chassis (for CPU TDP=35-65W)
1970005531T001	CPU heatsink for 1U chassis (for CPU TDP=65W only)
1960112429N000	I/O port bracket for 1U chassis
1700022749-11/ 1700022749-12/ 1700022749-13	SATA power cable
1700002204	2-port USB 2.0 cable w/ BKT(27 cm)
PCA-TPMSPI-00A1	dTPM 2.0 SPI module to enable TPM and vPro technologies

Note: Purchasing AIMB-788's proprietary CPU cooler from Advantech is highly recommended. Other brands' CPU coolers are NOT compatible with AIMB-788. Especially the cooler type with fan aside is not allowed to use on AIMB-788 due to heat dissipation on MOSFET.

Riser Card

Part Number	Description
AIMB-RP10P-01A1E	1U riser card providing 1 PCI slot
AIMB-RF10F-01A1E	1U riser card providing 1 PCIe x 16 slot
AIMB-RP30P-03A1E	2U riser card providing 3 PCI slots
AIMB-RP3PF-21A1E	2U riser card providing 1 PCIe x 16 and 2 PCI slots