

#### Packing List

Before installation, ensure that the following items are included with the product:

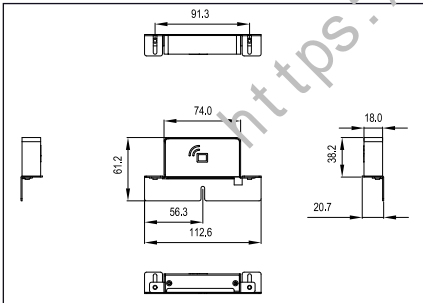
- 1 x RFID module
- 3 x Cable Clip
- 1 x M3x5L screw

If any of these items are missing or damaged, please contact your distributor or sales representative immediately.

#### Specifications

##### General

- **Interface:** USB
- **Cable Length:** 50cm
- **Frequency:** 13.56 MHz & 125KHz
- **RFID R/W Mode:** Support ISO14443A/B, 125KHz, (MifareS50/S70, Ultralight, FM1208, Desfire, EM4100, T5577)
- **OS Support:** Windows, Linux, Android
- **Operating Temperature:** 0 ~ 50° C
- **Dimension:**



For more information on this and other Advantech products, please visit our website at:

<http://www.advantech.com>

For technical support and service, please visit our support website at:

<http://support.advantech.com.tw/support/default.aspx>

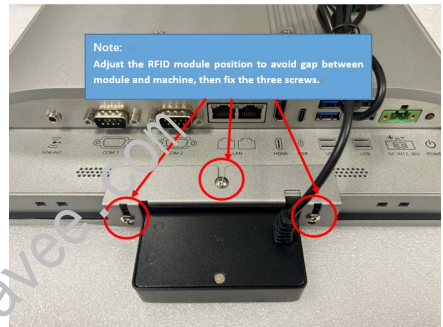
This manual is for the PPC RFID 98R3P300010, Rev. A1.

Part No. 2041C30010  
Printed in China

1st Edition  
October 2023

#### Assemble Instruction

1. Fix the assembled module kits onto the machine with existing screws, pay attention to adjust the screws to avoid gap between RFID module and machine. As the following picture shows:



2. Insert the USB cable into one of the USB ports, and fix the cable with clip. As the following picture shows:



### Connector (Cont.)

3. Real picture of assembly scenario as below:  
Example A. 12" PPC assemble with RFID module on the bottom side:



### Connector (Cont.)

- Example B. 18.5" PPC assembly with RFID module on the right side:



<https://advavee.com>