

PPC-IPS

12-30 V_{DC} input/24 V_{DC} output, Uninterruptible Power Supply Module



Features

- 50W (2.1A @ 24Vdc) output, 25.2Wh with auto shut down function to PC
- With changeable battery pack for easy maintenance
- Wide Range power input for 12 - 30 Vdc
- Supports over discharging protection to extend battery life
- Metal enclosure supports VESA 75/ VESA 100 and DIN Rail mounting
- With status indicators for monitoring battery pack and input power
- With accessible switch for adjusting timing (30sec / 6 min), to execute auto shut down PC
- With free software utility for configuration and monitoring



Introduction

This lightweight and intelligent power management module protects a Panel PC from electrical damage and greatly reduces the risk of losing data. The IPS module serves as temporary power supply during a break in power and allows a safe system shutdown. It can be easily installed on DIN-rail or on the back of a Panel PC.

Specifications

Input	Input Voltage	12 -30 Vdc
	Input power rating	90 W
	Charging current	2 A
Output	Output Voltage	24Vdc +/-1%
	Max. output current	2.5 A
Battery	Battery Capacity	14.4 V ₀ , 1750 mAh
	Cycle life	300 times of charge circle (Above 60% capacity compared to the initial state)
Protection	Short-circuit protection	Yes
	Over discharge protection	IPS shuts down when 5% of battery capacity (Default)
Certification	EMC	CE, FCC, BSMI
	Safety	UL, CB, BSMI
Dimensions		151.8 x 125 x 37.2 mm (5.98" x 4.92" x 1.46")
Environment	Operating Temperature	0 ~ 50°C (Din rail mounting) 0-45°C (VESA mounting, secured with PPC)
	Storage Temperature	-20 ~ 50°C
	Relative Humidity	10 ~ 95% @ 40°C (non-condensing)
	Shock Operating	10 G peak acceleration (11 ms duration), follow IEC 60068-2-27
	Vibration	Operating Random Vibration Test 5 ~ 500Hz, 1Grms, follow IEC 60068-2-64
I/O Connectors		PS_ON to shut down PC
		RS-232 for monitoring and setting IPS

VESA Mount

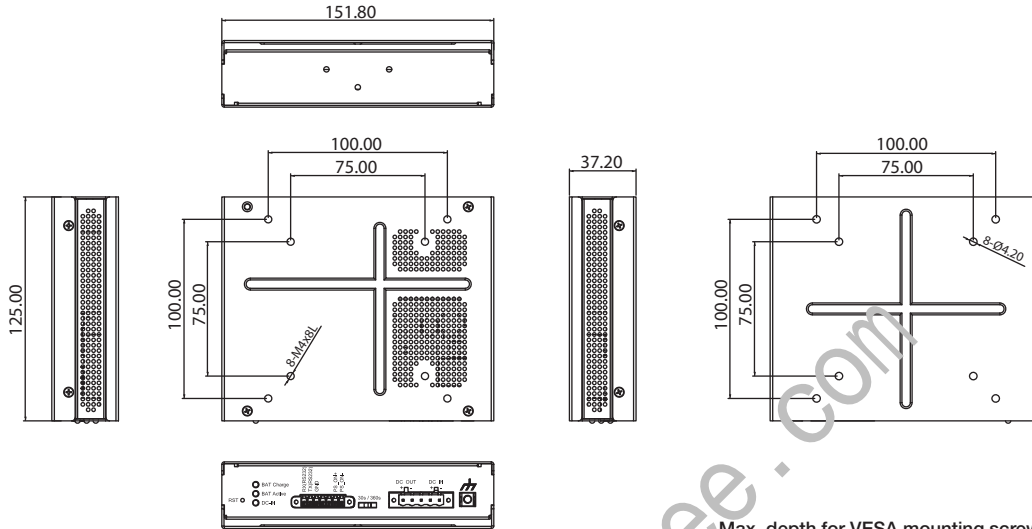


Din-rail Mount



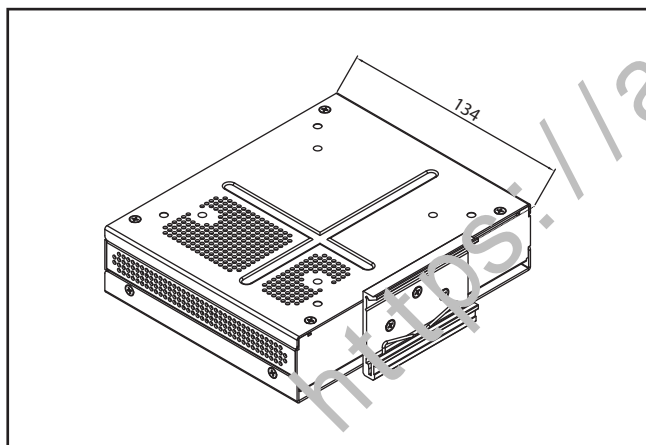
Dimensions

Unit: mm

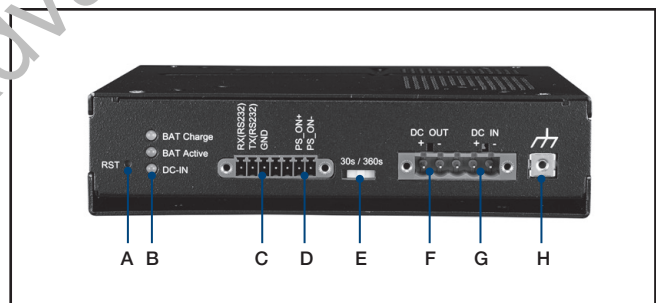


Max. depth for VESA mounting screws is M4*8 (mm)

Din-rail Dimensions



I/O Appearance



- A. System reset
- B. Status indicators
- C. RS-232 (for connecting a PC)
- D. PS_ON (to shutdown PC)
- E. Time switch (for setting auto shutdown)
- F. DC out (2 pins)
- G. DC input (2 pins)
- H. Grounding

Ordering Information

Part No.	Description
PPC-IPS-AU	12-30 VDC input/24 VDC output, Uninterruptible Power Supply Module
98R3612001E	PPC-IPS power cable 1 m
98R3612002E	PPC-IPS control cable 1 m
1760001866-01	PPC-IPS battery pack (spare part)

Note: The PPC-IPS-AU is equipped with a battery pack / 300 mm power cable / 300 mm control cable. If a longer cable is needed, the customer can order the 1 meter 98R3612001E and 98R3612002E cables. The PPC-IPS-AU only currently supports the PPC-300 series, please contact Advantech first for operating with other PC systems.