

# PPC-ARM-A03

## Table Arm For All PPC Models



### Features

- Includes VESA standards: 75 x 75 mm and 100 x 100 mm hole pattern bracket
- Special design C-Clamp fits any surface
- Max. Load-bearing: 10 kg

### Introduction

The PPC-ARM-A03 fits all 6" ~ 21.5" PPC products, and is designed using aluminium alloy and plastic materials. After many thousands of torque tests, this stand ensure that PPCs products won't change their position.

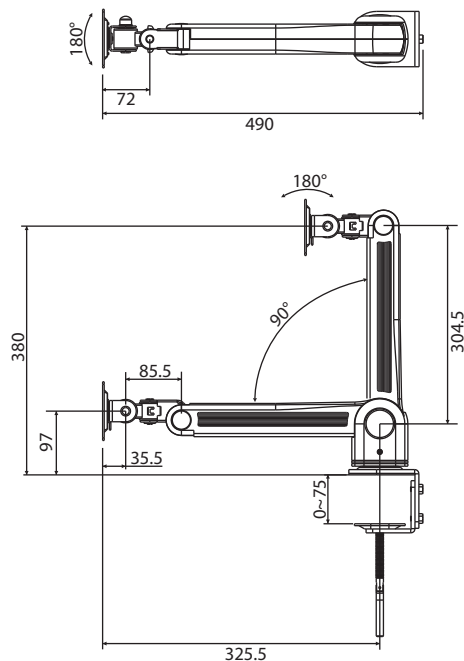
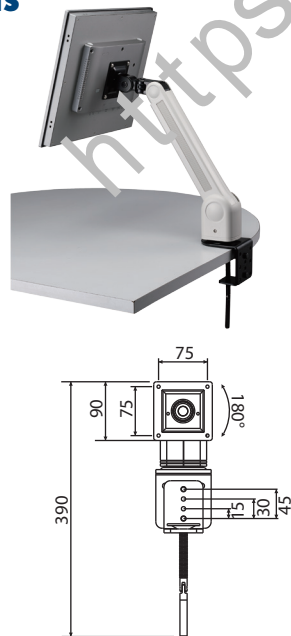
### Specifications

- **Horizontal distance** 315mm
- **Vertical distance** 285mm
- **Arm rotation** 360°

### Ordering Information

- **PPC-ARM-A03** Table Arm for all PPC Models

### Dimensions



Unit: mm