

PPC-6171C

17" Configurable Panel PC Chassis for Selectable Mini-ITX Motherboards



Features

- 17" true-flat panel PC with resistive touch
- Supports certified mini-ITX motherboards (up to 65W TDP processor)
- PCI or PCIe expansion slots
- Front-facing power status LED indicators
- IP66-rated front panel

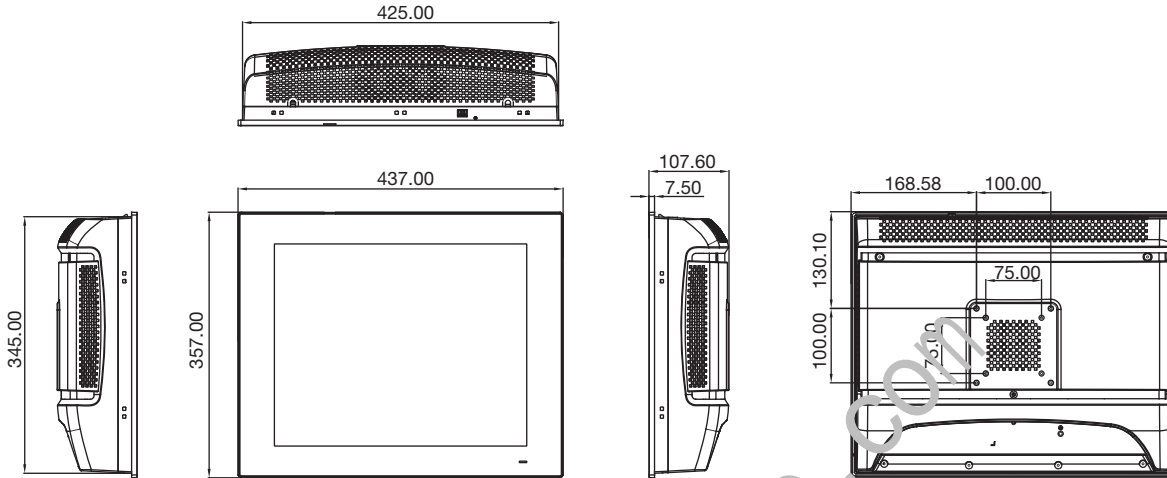


Specifications

Model	PPC-6171C-RTAE	
Supported Motherboard	PPC-MB series	
Chassis	Storage	1 x 2.5" SATA HDD bay/2 x 2.5" SATA HDD bay (optional)
	I/O	4 x Reserved ports (DB9) 2 x WLAN antenna holes
		1 x AC inlet 1 x Power switch Reserved opening: According to the PPC-MB series motherboard specifications
	Expansion	1 x PCIe x4 or 1 x PCI (in the accessory box) 2 x PCIe x1 (optional) 1 x PCIe x1 + 1 x PCI (optional) 2 x PCIe x8 (optional, only for PPC-MB-6x0) 1 x PCIe x16 (optional, only for PPC-MB-6x0)
	Speaker	2 x 1 W
	Fan	2 x 1.2 V; 60 x 60 x 15 mm (2.36 x 2.36 x 0.59 in)
Physical Characteristics	Dimensions (W x H x D)	437 x 357 x 107.6 mm (17.2 x 14.06 x 4.2 in)
	Weight	3.4 kg (11.9 lb)
OS Support	According to motherboard specifications	
Power Consumption	Input Voltage	100 ~ 240 V _{AC} , 250W
	Power Consumption	125W with PPC-MB-8260 165W with PPC-MB-610 140W with PPC-MB-620
LCD	Display Type	17" TFT LED panel
	Max. Resolution	1280 x 1024
	Viewing Angle	80 (left), 80 (right), 60 (up), 80 (down)
	Luminance (cd/m ²)	350
	Contrast Ratio	800
	Backlight Lifetime	50,000 hr
Touchscreen	Touch Type	5-wire analog resistive, with optional projected capacitive touch
	Light Transmission	80+/-5%
	Controller	USB interface
	Durability	35 million touches
Environment	Operating Temperature	0 ~ 50 °C (32 ~ 122 °F)(With 35W CPU)
		0 ~ 45 °C (32 ~ 113 °F)(With 65W CPU)
		*** please refer to the PPC-MB series CPU list
	Storage Temperature	-30 ~ 60 °C (-22 ~ 140 °F)
	Relative Humidity	95% @ 40 °C (non-condensing)
	Shock	Operating: 10 G peak acceleration (11 ms duration), IEC 60068-2-27 compliant
	Vibration	Operating: Random vibration test 5 ~ 500 Hz, 2 Grms @ with SSD, IEC 60068-2-64 compliant
	EMC	CE,FCC,Class A,UKCA,VCCI
Safety	CB,CCC,UL,UKCA	
Front Panel Protection	IP66 compliant	

Dimensions

Unit: mm



Panel Cutout Dimensions: 427 x 347 mm (16.81 x 13.66 in)

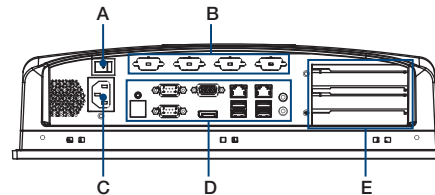
Ordering Information

M/B Part Number	Chassis Part Number	Cooler Part Number
PPC-MB-8260B / PPC-MB-610B	PPC-6171C-RTAE	1960053207N001
PPC-MB-620A/ PPC-MB-620B	PPC-6171C-RTAE	1970005354T001

Note 1. The motherboard, chassis, and cooler should be ordered together to ensure easy configuration.
 Note 2. The chassis is equipped with AC power supply and riser cards.

I/O View

PPC-6171C-RTAE



- A. Power switch
- B. Reserved ports
- C. AC inlet
- D. PPC-MB-XXXX I/O port
- E. Expansion x 2

Note 1: The max. dimension of expansion cards supported is 205 x 107 x 40 mm.
 Note 2: If the two slots are to be used simultaneously, the max. dimension supported is 205 x 107 x 20 mm for each PCI or PCIe expansion card.
 Note 3: The max. power consumption of PCIe expansion card supported is 75W.
 Note 4: If use dual HDD kits, only one riser card slots available.

Optional Accessories

Part Number	Description
PPC-WLAN-D1	M.2, WiFi6 +BT5.2, 2T2R, w/Antenna, Mini PCIe adapter (only for PPC-MB-6x0)
PPC-WLAN-D2	M.2, WiFi6 +BT5.2, 2T2R, w/Antenna (only for PPC-MB-6x0)
1702002605	Power cable (EU) 90D 220 ~ 250V/6A, 1.8 M
1702002600	Power cable (US) 180D 125V/10A, 1.83 M
1702031801	Power cable (UK), 1.8 M
96CB-POWER-B-1.8MA	Power cable (China), 1.8 M
9893BE0200E	Riser card with 2 x PCIe x1 slots
9893BE03000	Riser card with 1 x PCIe x1 and 1 x PCI slots
9893BE17000	Riser card with 2 x PCIe x8 slots (only for PPC-MB-6x0)
98R36151C20	Riser card with 1 x PCIe x16 slots (only for PPC-MB-6x0)
PPC-ARM-A03	ARM VESA Standard for PPC series
PPC-174T-WL-MTE	Wall mount kit for PPC series
PPC-Stand-A1E	Stand for PPC series
1700027838-01	Cable for two internal USB for PPC-MB-XXXX with I/O BKT
98R36151C10	the second 2.5" SATA HDD (only one riser card slots available)
98R3P612100	TPM2.0 module for PPC-MB-610

Please note: If some optional modules are offered with the system, additional system certificates may be required in certain regions/countries.
 Please contact Advantech for certificate compliance.