

PPC-3211W

21.5" Fanless Widescreen Panel PC with Intel® 7th Gen Core™ i7/i5/i3 Processor



Features

- 21.5" true-flat Full HD LCD panel with projected capacitive touchscreen, anti-glare coating
- Intel® Core™ i5-7300U/i7-7600U/i3-7100U (by request) processor with fanless system design
- Supports PCIe x4 or PCI expansion
- 1 x isolated RS-422/485 with auto flow
- Wide input power range (9 ~ 32 V_{DC})
- Dual Gigabit Ethernet with IEEE1588 support
- 3 x Independent displays
- 1 x M.2 bay (2242) for storage only
- 1 x TPM 2.0 internal support (optional)
- Supports VESA 75/100 mounting interface

Introduction

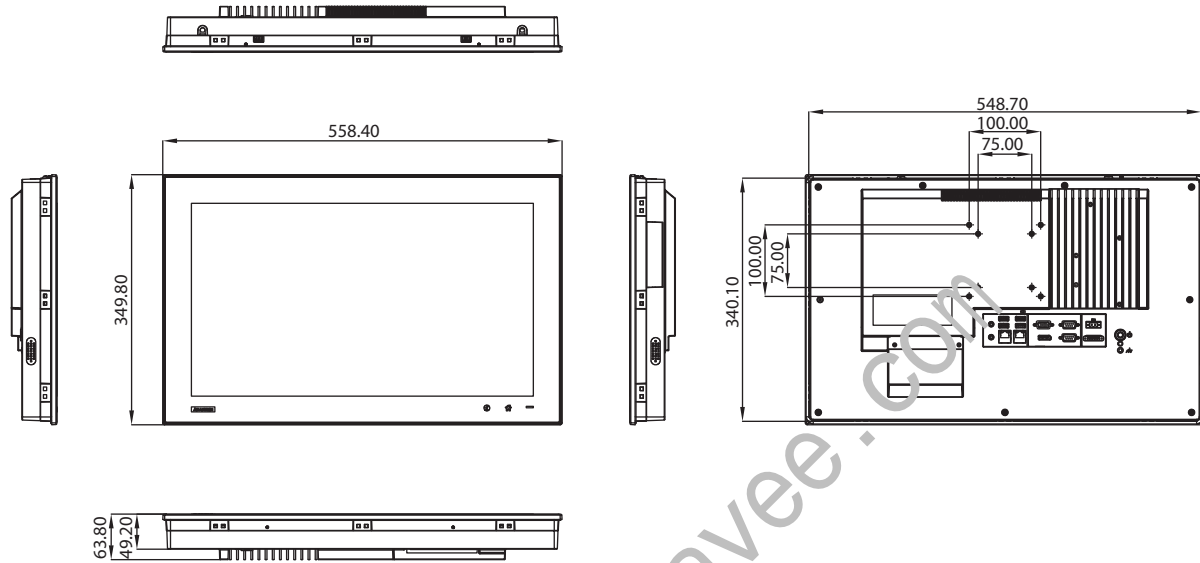
PPC-3211W is a new generation industrial interactive panel PC with a 21.5" TFT full HD LCD 1920 x 1080 resolution, which features a flat, sleek design to greatly reduce maintenance effort. Pre-installed Intel® Core™ i processor and designed fanless architecture, PPC-3211W provide high performance and reliable system for factory automation or variety of industrial applications. Furthermore, with the provision of multiple I/O, dual Intel® Gigabit ethernet, PCI/PCIe expansion, PPC-3211W ensures easy integration and connectivity.

Specifications

System	CPU	Intel® Core™ i7-7600U/i5-7300U dual core ; i3-7100U (by request)
	Frequency	2.6 GHz, up to 3.5 GHz with turbo
	L2 Cache	3 MB
	Memory	1 x SODIMM, DDR4, 1866/2133 MHz, (max. 16 GB)
	Storage	2 x 2.5" SATA bay (supports Intel RAID) 1 x M.2 bay (size: 22 x 42 mm, socket 2 B key, for storage only)
	Network (LAN)	2 x 10/100/1000 Mbps Ethernet (Intel I219LM; Intel I210AT)
	I/O	2 x RS-232, 1 x RS-422/485 with 1K V _{DC} isolation Either 2 x RS-232 or 1 x RS-232 + 1 x GPIO(TTL, 8 pin programmable) on right side (optional module) 2 x USB 3.0 1 x Line-out, 1 x Mic-in 1 x DB15 VGA 1 x Display Port (1.2) 1 x TPM 2.0 internal (optional)
	Expansion	1 x Mini PCIe 1 x PCIe x 4 (default); 1 x PCI (in the accessory box)
	Watchdog Timer	255 timer levels, set up by software
	Speaker	2 x 1W
Physical Characteristics	Dimensions	558.4 x 349.8 x 63.8 (22.0 x 13.7 x 2.5 in)
	Weight	7.7 kg (17.1 lb)
OS Support	OS Support	Microsoft® Win 10 IOT LTSC(64-bit), Linux
Power Consumption	Input Voltage	9 ~ 32 V _{DC}
	Power Consumption	i5-7300U 75W (Burn-in test 8.1 in Windows 10 64bit)
LCD	Display Type	21.5" TFT LCD (LED backlight)
	Max. Resolution	1920 x 1080
	Viewing Angle	89 (Left), 89 (Right), 89 (Up), 89 (Down)
	Luminance (cd/m ²)	300
	Contrast Ratio	5000
	Backlight Lifetime	50,000 hr (min.)
Touchscreen	Touch Type	Multi-touch projected capacitive
	Light Transmission	88 % ± 2 %
	Controller	USB interface
Environment	Operating Temperature	0 ~ 50 °C (32 ~ 122 °F)
	Storage Temperature	-20 ~ 60 °C (-4 ~ 140 °F)
	Relative Humidity	95% @ 40 °C (Non-Condensing)
	Shock	Operating 10 G Peak Acceleration (11 ms Duration), Follows IEC 60068-2-27
	Vibration	Operating Random Vibration Test 5 ~ 500Hz, 2Grms @with SSD, Follows IEC 60068-2-64
	EMC	CE, FCC Class B, EN 61000-6-2, BSMI, UKCA
	Safety	CB, UL, CCC, UKCA
Front Panel Protection	IP66 compliant	

Dimensions

Unit: mm

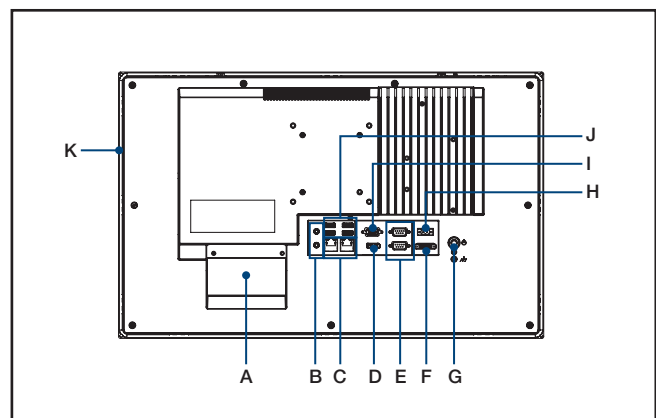


Cut-Out Dimension: 558.4 x 341.8 mm

Ordering Information

Part Number	Description
PPC-3211W-P75A	21.5" PPC w/Intel i5-7300U, P-CAP
PPC-3211W-P77A	21.5" PPC w/Intel i7-7600U, P-CAP
96PSA-A120W24T2-4	Power adapter 100-240V 120 V 2.1A
1702002600	Power Cable UL/CSA (USA) 130D 125V10A 1.83M
1702002605	Power Cable 90D 230V EU/CEI EAN 250V/6A 1.8M
1700000237	Power Cord PSE 3P 12.5 125V 183cm
96CB-POWER-B-1.8MA	Power code 3P CCC(China) 1.8M
PPC-174T-WL-MTE	Wall mount kit for PPC series
PPC-STAND-A1E	Stand for PPC series
PPC-ARM-A03	ARM VESA Standard for PPC series
PPC-WLAN-D1	M.2, WiFi6 +BT5.2, 2T2R, w/Antenna, Mini PCIe adapter
98R3P321100	Additional ports module (either two RS-232 or one RS-232 and one GPIO port)
98R3P321110	TPM 2.0 module

I/O View



- A. 1 x Expansion slot (PCI or PCIe x4)
- B. 1 x Mic-In/Line-Out
- C. 2 x Intel Gigabit Ethernet
- D. 1 x DisplayPort
- E. 2 x RS-232
- F. 1 x Isolated RS-422/485
- G. 1 x Power button
- H. 1 x DC inlet and AT/ATX switch
- I. 1 x VGA
- J. 4 x USB3.0
- K. 2 x RS-232 (on right side optional)

Please note: If some optional modules are offered with the system, additional system certificates may be required in certain regions/countries. Please contact Advantech for certificate compliance.