

PPC-3151SW

15.6" Fanless Panel PC with Intel® Core™ i Processor



Features

- Industrial-grade 15.6" FHD LCD panel with 50k backlight lifetime
- True-flat touchscreen with multi-touch projected capacitive control
- High-performance, fanless 6th generation Intel® Core™ i processor
- Up to 16 GB DDR4 SDRAM
- Compact, fanless design with aluminum alloy enclosure
- IP66-rated front panel
- Supports dual displays (1 x external HDMI)
- Supports full-size mini PCIe expansion
- Supports USB 3.0
- Supports VESA 100
- Supports TPM 2.0 (optional)



Introduction

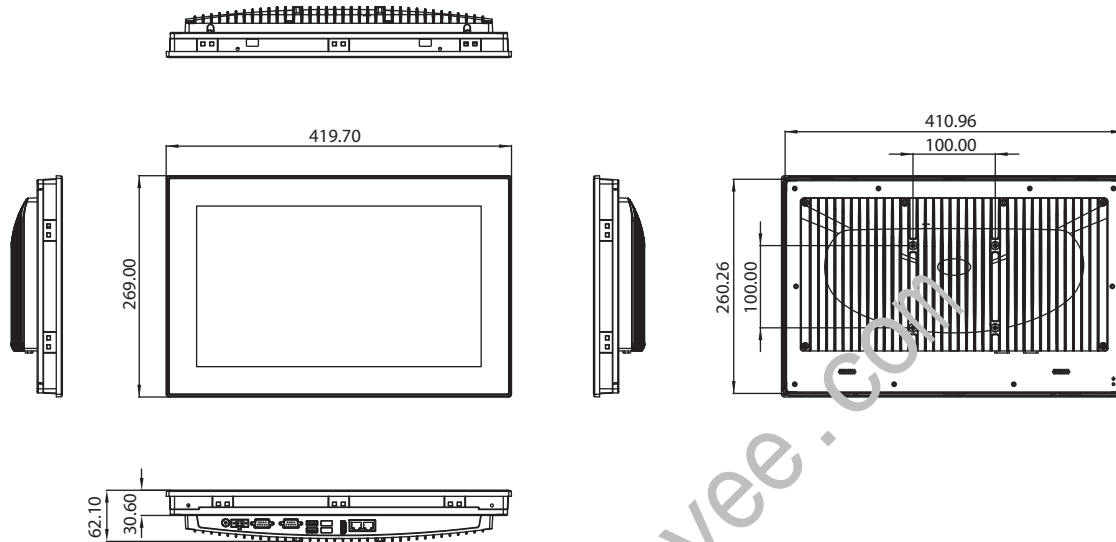
The PPC-3151SW is an all-in-one light panel PC with a wide format 15.6" FHD industrial-grade LCD. Powered by 6th generation Intel® Core™ i processor, PPC-3151SW provides excellent performance, memory, graphics, and peripheral I/O support in a compact, fanless, embedded system. With a high durability design, PPC-3151SW features a true-flat touchscreen with IP66-rated front panel, and die cast aluminum alloy enclosure, making it ideal for diverse applications.

Specifications

System	CPU	i3-6100U	i5-6300U	i7-6600U
	Cores	Dual Core	Dual Core	Dual Core
	Frequency	2.3 GHz	2.4 GHz; 3.0 GHz with turbo boost	2.6 GHz; 3.4 GHz with turbo boost
	L3 Cache	3 MB	3 MB	4 MB
	TDP	15W	15W	15W
	Memory	1 x SODIMM DDR4 1866/2133 MHz (max. 16 GB) (1.2 V)		
	Storage	1 x 2.5" SATA bay 1 x mSATA bay		
	Network (LAN)	2 x 10/100/1000 Mbps Ethernet (Intel I219LM; Realtek 8119i)		
	I/O	2 x Serial ports: 1 x RS-232, 1 x RS-232/422/485 (Adjustable through BIOS) 2 x USB 3.0, 2 x USB 2.0 1 x HDMI 1 x TPM 2.0 internal (optional)		
	Speaker	2 x 1W		
	Expansion	1 x Full-size mini PCIe slot		
	Watchdog Timer	255 timer levels, set up by software		
	Physical Characteristics	Dimensions	419.7 x 269.0 x 62.1 mm (16.5 x 10.6 x 2.4 in)	
Weight		4.8 kg (10.67 lb)		
OS Support	OS Support	Microsoft® Windows 7(32/64-bit), Windows 10 IOT LTSC(64-bit), Linux		
Power Consumption	Input Voltage	12 ~ 24 V _{DC}		
	Power Consumption	60W (burn-in test in Win 7 64-bit)		
LCD	Display Type	15.6" FHD LCD (LED backlight)		
	Resolution	1920 x 1080		
	Viewing Angle	85 (left), 85 (right), 85 (up), 85 (down)		
	Luminance (cd/m ²)	450		
	Contrast Ratio	800		
	Backlight Lifetime	50,000 hr (min.)		
Touchscreen	Touch Type	10-point multi-touch projected capacitive		
	Light Transmission	90 % ± 2 %		
Environment	Controller	USB interface		
	Operating Temperature	0 ~ 50 °C (32 ~ 122 °F)		
	Storage Temperature	-20 ~ 60 °C (-4 ~ 140 °F)		
	Relative Humidity	95% @ 40 °C (non-condensing)		
	Shock	Operating 10 G peak acceleration (11 ms duration), follow IEC 60068-2-27		
	Vibration	Operating Random Vibration Test 5 ~ 500Hz, 2Grms @with SSD, follow IEC 60068-2-64		
	EMC	CE, FCC Class B, VCCI, BSMI, EN 60601-1-2, UKCA		
	Safety	CB, UL, CCC, UKCA		
Front Panel Protection	IP66 compliant			

Dimensions

Unit: mm

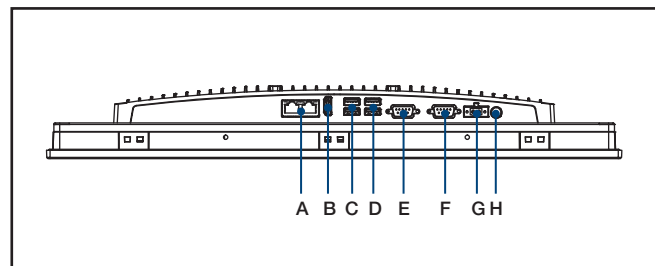


Panel Cutout Dimensions: 413 x 262 mm (16.25 x 10.31 in)

Ordering Information

Part Number	Description
PPC-3151SW-P65B	15.6" PPC w/Intel i5-6300U, P-Cap
PPC-3151SW-P63B	15.6" PPC w/Intel i3-6100U, P-Cap
PPC-3151SW-P67B	15.6" PPC w/Intel i7-6600U, P-Cap
96PSA-A90W190T-3	Power adapter 100-240V 90W 19V
PPC-WLAN-D1	M.2, WiFi6 +BT5.2, 2x2R, w/Antenna, Mini PCIe adapter
PPC-ARM-A03	ARM VESA Standard for PPC series
PPC-174T-WL-MTE	Wall mount kit for PPC series
PPC-Stand-A1E	Stand for PPC series
1700001524	Power cord 3P UL 10A 125V 1.8M
170203183C	Power cord 3P Europe (WS-010+083) 183cm
1700008921	Power cord 3P/3P 1.8M PSE
96CB-POWER-B-1.8MB	Power code 3P CCC(China) 1.8M
98R3P315100	TPM 2.0 module for PPC-3151SW/3181SW/3211SW/324W-P7
98R3P300010	PPC-300 RFID Read only 13.56MHz&125k

I/O View



- A. 2 x LAN
- B. HDMI
- C. 2 x USB 3.0
- D. 2 x USB 2.0
- E. COM2: RS-232/422/485
- F. COM1: RS-232
- G. DC-In
- H. Power Button

Please note: If some optional modules are offered with the system, additional system certificates may be required in certain regions/countries. Please contact Advantech for certificate compliance.