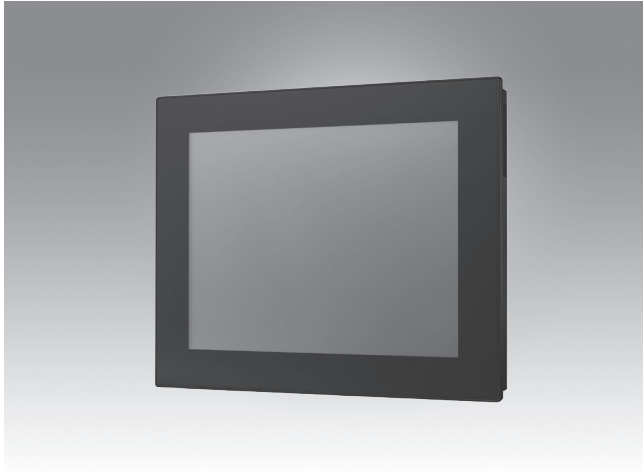


# PPC-3150-RJ90

## 15" Fanless Panel PC with Intel® Celeron Quad Core J1900 Processor



### Features

- 15" TFT XGA LED Panel with resistive touchscreen
- Embedded Intel Celeron processor, quad core J1900 2.0GHz onboard
- System memory up to 8GB DDR3L 1333 SDRAM
- Supports one internal SATA 2.5" HDD
- Supports one Mini PCIe socket, two Gigabit Ethernet
- Fanless and compact size with low power consumption
- Supports five RS-232 and one RS-232/422/485, besides six RS-232 and two RS-422/485 are optional by request
- Supports one mSATA socket

### Introduction

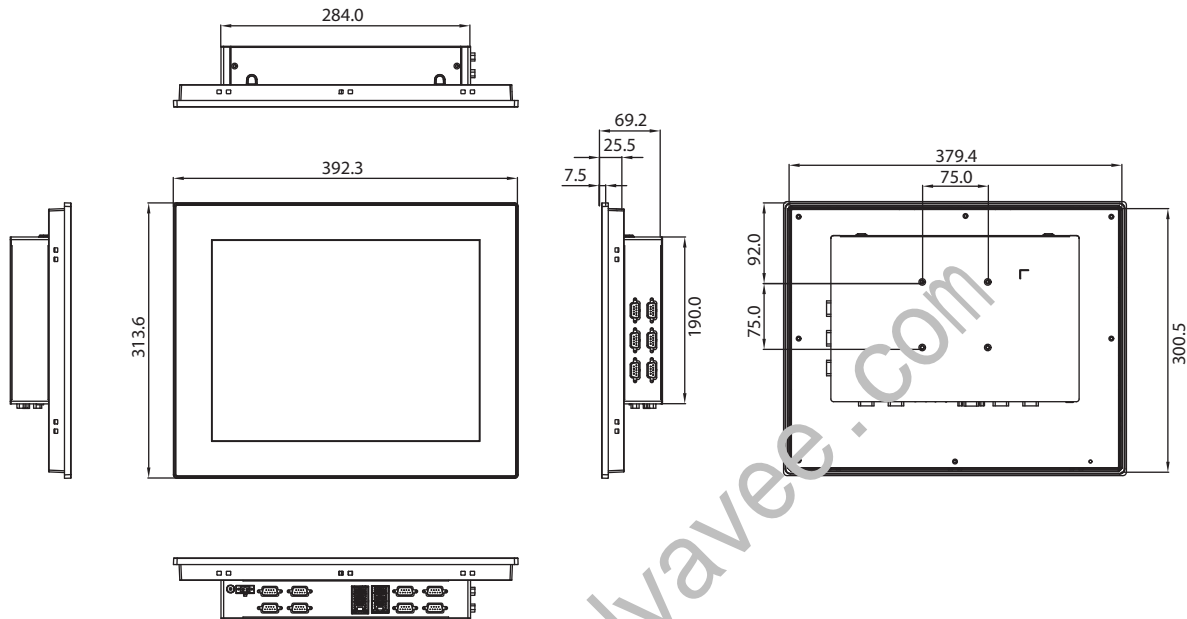
The PPC-3150-RJ90x is a valued and reliable 15" Panel PC. With an onboard Intel Celeron processor J1900, it features low power consumption and good performance. The PPC-3150-RJ90x is highly reliable because of its 15" TFT XGA LED panel, 5-wire resistive touch screen and fanless design. It provides fourteen serial ports, four USB ports, and two GbE LAN to satisfy various industrial applications especially industrial equipment makers and production line monitors. With a compact and slim design, the PPC-3150-RJ90x provides can be easily integrated in industrial systems.

### Specifications

<b>Processor System</b>	CPU	Intel® Celeron J1900, Quad core
	Frequency	2.0 GHz
	2nd Cache	2 MB
	Memory	1 x SO-DIMM, DDR3L 1333, Max 8 GB
	Storage	1 x 2.5" SATA Bay 1 x mSATA Bay
	Network (LAN)	2 x 10/100/1000 Mbps Ethernet (Realtek 8119i)
	I/O ports	1 x RS-232, 1 x RS-232/422/485(Adjustable through BIOS) 6 x RS-232 and 2 x RS-422/485 (by request) 1 x USB 3.0, 3 x USB 2.0 1 x VGA & 1 x HDMI (by request)
	Expansion	1 x Mini PCIe
<b>Physical Characteristics</b>	Watchdog Timer	255 timer levels, set up by software
	Dimensions	392.3 x 313.6 x 69.2 mm
	Weight	4.9 Kg
<b>OS Support</b>	OS Support	Microsoft® Windows 7 (32/64 bit), Win 10 (64 bit), Linux
<b>Power Consumption</b>	Input Voltage	12- 24 V <sub>DC</sub>
	Power Consumption	36W (Buru-in test 8.0 in Windows 7 64 bit)
<b>LCD Display</b>	Display Type	15" TFT LCD (LED backlight)
	Resolution	1024 x 768
	Viewing Angle	88(left), 88 (right), 88 (up), 88(down)
	Luminance (cd/m <sup>2</sup> )	300
	Contrast Ratio	2000
	Backlight Lifetime	50,000 hrs (Min.)
<b>Touchscreen</b>	Touch Type	Resistive 5 wires
	Light Transmission	80±3%
	Controller	USB interface
	Durability (Touches)	36 million
<b>Environment</b>	Operating Temperature	0 ~ 50°C (32 ~ 122°F)
	Storage Temperature	-40 ~ 60°C (-40 ~ 140°F)
	Relative Humidity	95% @ 40°C (non-condensing)
	Shock	Operating 10 G peak acceleration (11 ms duration), follow IEC 60068-2-27
	Vibration	Operating Random Vibration Test 5-500Hz, 2Grms @with SSD, follow IEC 60068-2-64
	EMC	CCC
	Safety	CCC
Front Panel Protection	IP65 compliant	

## Dimensions

Unit: mm

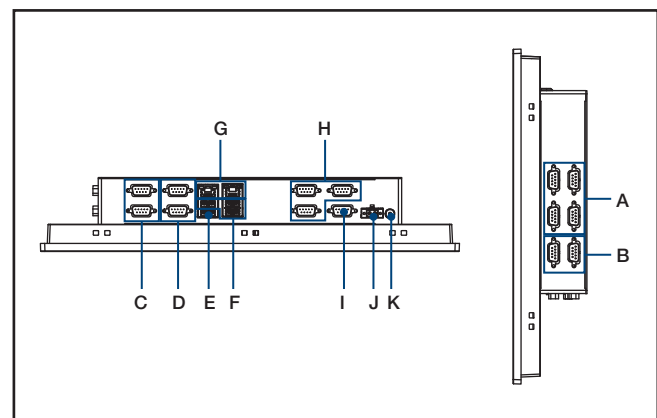


Panel Cutout Dimensions: 381.00 x 302.00 mm

## Ordering Information

Part Number	Description
PPC-3150-RJ90B	15" PPC w/Intel Celeron J1900, Res., 5 x RS-232, 1 x RS-232/422/485
PS-DC19-65AE	Adapter AC100-240V 65W 19V 3.42A
PPC-WLAN-D1	M.2, WiFi6 +BT5.2 2T2R, w/antenna, Mini PCIe adapter
1700008921	Power cord 3P/3P Power Supply 1.8M PSE
96CB-POWER-B-1.8MB	Power cord 3P/3P CCC(China) 1.8M
PPC-174T-WL-MTE	Wall mount kit for PPC series
PPC-STAND-A1E	Stand For PPC Series (single acting hinge)
PPC-ARM-A03	PPC ARM VESA Standard

## I/O Appearance



- A. 4 x RS-232 (optional by request)
- B. 2 x RS-422/485 (optional by request)
- C. 2 x RS-232 (optional by request)
- D. 2 x RS-232
- E. 1 x USB3.0
- F. 3 x USB2.0
- G. 2 x LAN
- H. 3 x RS-232
- I. 1 x RS-232/422/485
- J. DC-In
- K. Power button