

PPC-3100

10.4" Fanless Panel PC with Intel® Atom™ E3940 Processor



Features

- 10.4" SVGA TFT LCD with resistive touchscreen
- Intel® Atom™ E3940, 1.6 GHz, processor
- Up to 8 GB DDR3L 1600/1866 SDRAM
- Supports 1 x internal 2.5" SATA HDD and 1 x mSATA bay
- Fanless design with low power consumption
- Wide range DC support (9 ~ 32 V_{DC})
- 1 x isolated RS-422/485 with automatic flow control and dual Intel GbE
- Optional GPIO (8 channels, TTL level)



Introduction

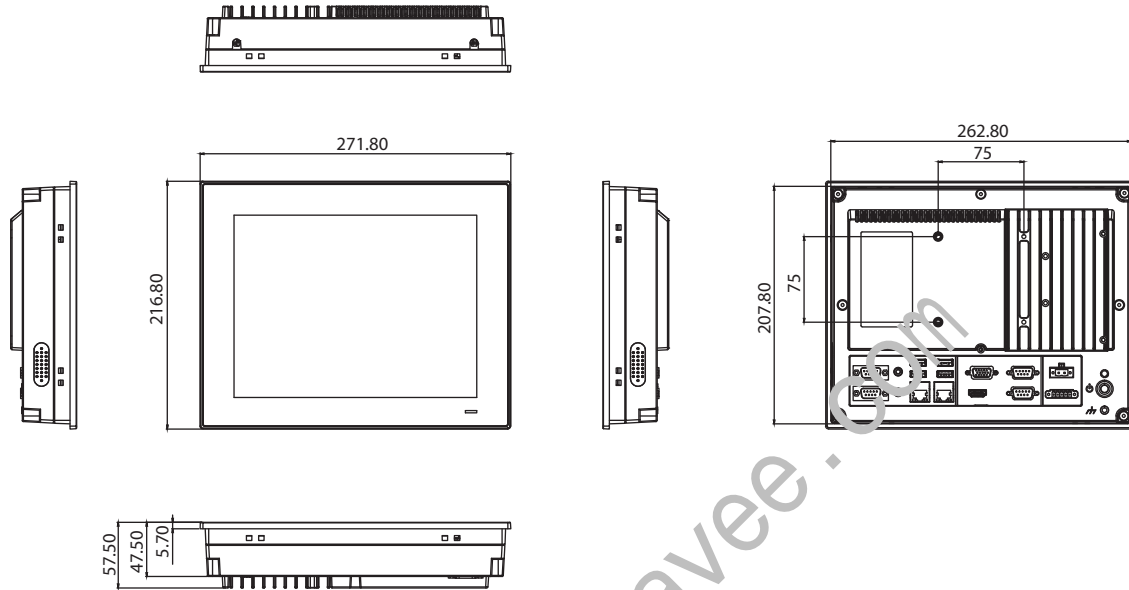
The PPC-3100 is a 10.4" fanless panel PC equipped with a high-performance Intel® Atom™ E3940 quad-core processor that supports wide power input range (9 ~ 32 V_{DC}). The provision of multiple I/O, including 4 x COM, 4 x USB 3.0, 1 x isolated RS-422/485, and dual Intel® Gigabit Ethernet, ensures easy integration and connectivity.

Specifications

System	CPU	Intel® Atom™ E3940 quad-core
	Frequency	1.6 GHz
	L2 Cache	2 MB
	Memory	1 x SODIMM DDR3L 1600/1866 MHz (max. 8 GB)
	Storage	1 x 2.5" SATA bay 1 x mSATA bay
	Network (LAN)	2 x Intel® I225LM controller; Speed: 10M / 100M / 1000M / 2.5G
	I/O	5 x Serial ports: 4 x RS-232, 1 x isolated RS-422/485 (Adjustable through BIOS) 4 x USB 3.0 1 x Line-out, 1 x Mic-in 1 x VGA 1 x HDMI 1 x GPIO (8 channels, TTL level, internal)
	Expansion	1 x Mini PCIe
	Watchdog Timer	255 timer levels, set up by software
	Speakers	2 x 1W
Physical Characteristics	Dimensions	271.8 x 216.8 x 57.5 mm (10.7 x 8.53 x 2.26 in)
	Weight	2.8 kg (6.17 lb)
OS Support	OS Support	Microsoft® Windows 10 (64-bit), Win 10 IOT LTSC, Linux, Android
Power Consumption	Input Voltage	9 ~ 32 V _{DC}
	Power Consumption	30W (Burn-in test 8.0 in Windows 10 64bit)
LCD	Display Type	10.4" TFT LED Panel (LED backlight)
	Max. Resolution	800 x 600
	Viewing Angle	80 (left), 80 (right), 70 (up), 70 (down)
	Luminance (cd/m ²)	400
	Contrast Ratio	700
	Backlight Lifetime	30,000 hr (typical)
	Touch Type	5-wire resistive touch
Touchscreen	Light Transmission	80±5% at 550nm wavelength
	Controller	USB interface
	Operating Temperature	-20 ~ 60 °C (-4 ~ 140 °F)
Environment	Storage Temperature	-30 ~ 60 °C (-22 ~ 140 °F)
	Relative Humidity	10 ~ 95% @ 40 °C (non-condensing)
	Shock	Operating 10 G peak acceleration (11 ms duration), follow IEC 60068-2-27
	Vibration	Operating Random Vibration Test 5~500Hz, 1Grms @with HDD; 2Grms @with SSD, follow IEC 60068-2-64
	EMC	CE, FCC Class B, EN 61000-6-2, BSMI, VCCI, UKCA
	Safety	CB, UL, CCC, UKCA
	Front Panel Protection	IP66 compliant

Dimensions

Unit: mm

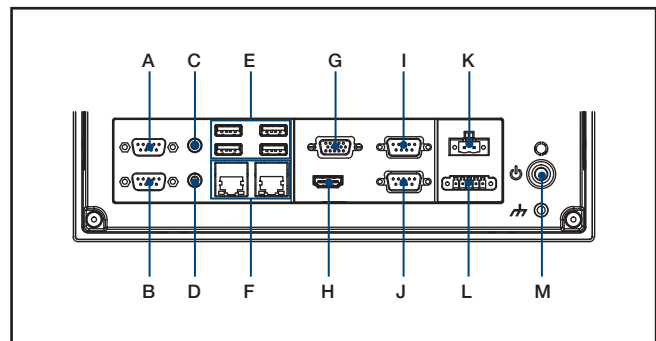


Panel Cutout Dimensions: 205 x 211 mm (10.43 x 8.26 in)

Ordering Information

Part Number	Description
PPC-3100-RE9B	10.4" PPC w/Intel E3940 , Res. T/S
96PSA-A90W190T-3	Power adapter 100-240V 90W 19V
1700001524	Power cord 3P UL 10A 125V 1.8M
170203183C	Power cord 3P Europe (WS 010+183)183cm
1700008921	Power cord 3P/3P Power supply 1.8M PSE
96CB-POWER-B-1.8MB	Power cord 3P CCC(China) 1.8M
PPC-174T-WL-MTE	Wall mount kit for PPC series
PPC-ARM-A03	ARM VESA standard for PPC series
PPC-STAND-A1E	Stand For PPC Series
PPC-WLAN-D1	M.2, WiFi6 +BT5.2, 2T2R, w/Antenna, Mini PCIe adapter

I/O View



- A. COM4: RS-232
- B. COM5: RS-232
- C. Line Out
- D. Mic In
- E. 4 x USB 3.0
- F. 2 x LAN
- G. VGA
- H. HDMI
- I. COM1: RS-232
- J. COM2: RS-232
- K. DC Inlet and AT/ATX switch
- L. COM3: Isolated RS-422/485
- M. Power Button

Please note: If some optional modules are offered with the system, additional system certificates may be required in certain regions/countries. Please contact Advantech for certificate compliance.