

PPC-115W

15.6" All-in-One Panel PC with Rockchip RK3399 processor



Features

- True flat wide display screen with Pcap multi-touch
- Embedded Rockchip RK3399 processor, Dual-core Cortex-A72 up to 1.8GHz and Quad-core Cortex-A53 up to 1.4GHz
- Onboard 4GB LPDDR4-1333 memory, 32GB eMMC NAND Flash
- IP65 rated front panel protection
- Supports VESA 100 and panel mounting(optional)
- Supports Android and Debian



Introduction

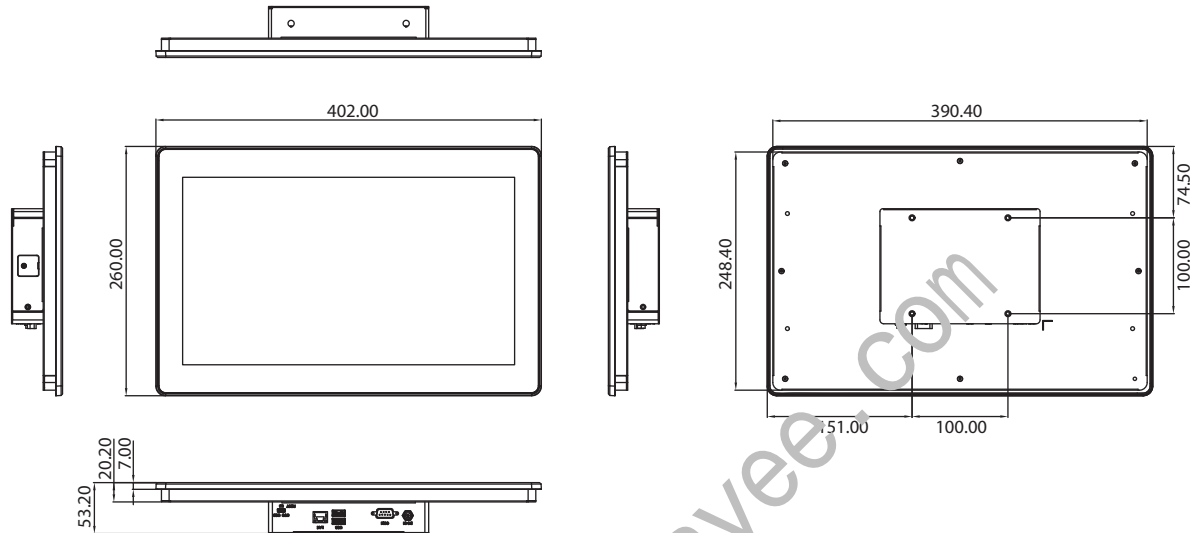
PPC-115W is 15.6" All-in-One PPC with Rockchip RK3399 processor with Android or Debian OS pre-installed. Featuring 15.6" wide screen display and 10 points Pcap multi-touch, IP65 rated front panel, VESA or panel mounting support, PPC-115W provides friendly experience and reliable integration possibility. External 2 x USB 2.0/3.0, 1 x RS-232 expands more flexible connection. Pre-installed Android or Debian, PPC-115W helps customer visiting web information quickly in various IoT applications.

Specifications

System	CPU	Rockchip RK3399 Big.Little architecture, Dual Cortex-A72 + Quad Cortex-A53, 64-bit CPU
	GPU	Mali-T860
	Memory	On-board 4GB LPDDR4-1333
	Network (LAN)	1 x 10/100/1000 Mbps Ethernet (RTL8211FSI)
	I/O ports	1 x USB 2.0; 1 x USB 3.0; 2 x USB 2.0 (internal by request) 1x micro USB OTG 1 x RS 232; 1 x RS232 (internal by request) 1 x DC in 5 x GPIO (by request) (3.3V TTL level)
	Expansion	1 x M.2 2230 Key E slot for wireless card
	Watchdog Timer	Max timeout: 21s, Default timeout: 10s
General	Storage	32GB eMMC NAND Flash; 1x Micro SD slot
	Input Voltage	12V _{DC} , 36W ITE Adapter; PoE: IEEE 802.3at/30W (by request)
	OS	Android 11, Debian 11
	Weight	2.6 kg (5.7 lb)
	Dimensions	402.0 x 260.0 x 53.2 mm
	Mounting	VESA 100, Panel mounting (optional)
Display	Size	15.6" Panel
	Resolution	1920 x 1080
	Viewing Angle	85(left), 85(right), 85(up), 85(down)
	Brightness	250
	Contrast Ratio	800
	Backlight Lifetime	15,000 hrs (Min.)
Touch screen	Type	Projected Capacitive Multi-touch
	Light Transmission	≥ 88%
	Interface	USB
Environment	Operating Temperature	0 ~ 50 °C (32 ~ 122 °F)
	Storage Temperature	-20 ~ 60 °C (-4 ~ 140 °F)
	Humidity	95% @ 40°C (non-condensing)
	Shock	Operating 10 G peak acceleration (11 ms duration), follow IEC 60068-2-27
	Vibration	Operating Random Vibration Test 5-500Hz, 0.5Grms, follow IEC 60068-2-64
	EMC	CE, FCC Class B, BSMI, UKCA, VCCI
	Safety	CB, UL, CCC, BSMI, UKCA
Front panel	IP65 compliant	

Dimensions

Unit: mm

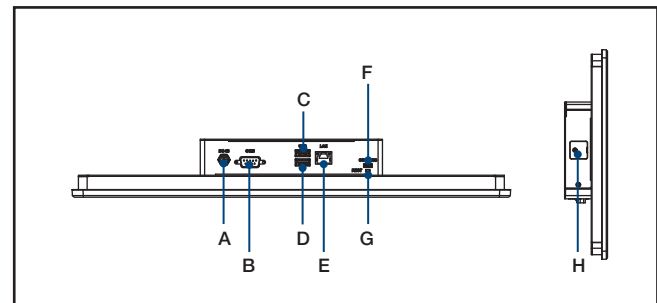


Panel Cutout Dimensions: 392.00 x 250.00 mm (15.43 x 9.84 in)

Ordering Information

Part Number	Description
PPC-115W-PK92AB	15.6" PPC w/Rockchip RK3399 and Android 11, 4GB LPDDR4, 32GB eMMC
PPC-115W-PK92DB	15.6" PPC w/Rockchip RK3399 and Debian 11, 4GB LPDDR4, 32GB eMMC
PPC-ARM-A03	ARM VESA Standard (A-CLEVER) for PPC series
PPC-174T-WL-MTE	Wall mount kit for PPC series
98R3P115W00	Panel mount kit
98R3P115W10	Wifi module
PPC-Stand-A1E	Stand for PPC series
1700001524	Power cord 3P UL 10A 125V 1.8M
170203183C	Power cord 3P Europe (WS-010+083) 183cm
1700008921	Power cord 3P/3P 1.8M PSE
96CB-POWER-B-1.8MB	Power code 3P CCC(China) 1.8M
96PSA-A36W12W7-5	ADP A/D 100-240V 36W 12V C6 LOCK DC JACK 62368

I/O View



- A. DC-IN
- B. 1 x RS-232
- C. 1 x USB 2.0
- D. 1 x USB 3.0
- E. 1 x LAN
- F. 1 x Micro USB OTG
- G. 1 x Reset button
- H. 1 x Micro SD slot

Please note: If some optional modules are offered with the system, additional system certificates may be required in certain regions/countries. Please contact Advantech for certificate compliance.