

IPC-7130/7130L

Desktop/Wallmount Chassis for ATX/MicroATX Motherboard with Dual Hot-Swap 3.5" Drive Bays



Features

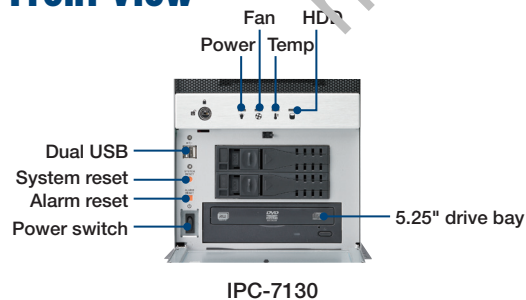
- Shockproof drive bays - One 5.25", one internal 3.5", and two hot-swap 3.5" trays for IPC-7130 / two 3.5" HDD device trays for IPC-7130L
- Lockable front door prevents unauthorized access
- LED indicators for system fault detection
- Bidirectional to mount chassis on the wall or workbench
- Built-in Intelligent System Module enabling whole system fan control and Hardware Monitoring (IPC-7130)
- Low noise PWM controlled

Quiet Specifications

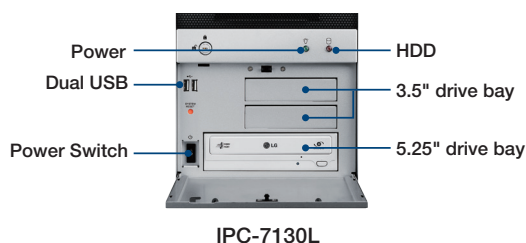
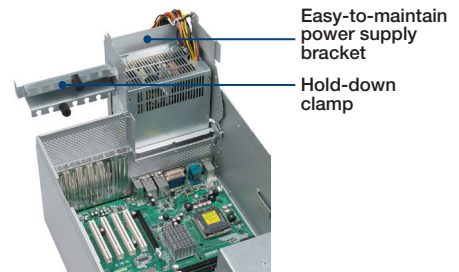
CE FCC

		External	Internal
Disk Drive Bay	5.25"	1/1	-/-
	3.5"	-/2	1/1
	Hot Swap (SATA only)	2 (Compatible with both 3.5" or 2.5" drives, no convert bracket needed)/-	-
Cooling	Fan	1 (12 cm/82 CFM) + 1 (6 cm, 27.72 CFM) / 1 (12 cm/82 CFM)	
	Air Filters	Yes	
I/O Interface	USB 2.0	2 (Front accessible)	
Miscellaneous	LED indicators	Power, fan, temperature, HDD	Power, HDD
	Control	Power, Alarm reset, System reset	Power, System reset
Intelligent System Module Hardware Monitoring	CPU/System fan speed, CPU/System temperature	(Only Advantech AIMB-78X, PCE-51XX/71XX mainboards can enable CPU fan speed and temperature monitoring function of Intelligent System Module) (This feature only enabled in IPC-7130)	
Environment	Temperature	Operating 0 ~ 40 °C (32 ~ 122 °F)	Non-operating -20 ~ 60 °C (-4 ~ 140 °F)
	Humidity	10 ~ 85 % @ 40 °C, non-condensing	
	Vibration (5-500 Hz)	2.5 Grms	
	Shock	10 G (with 11 ms duration, half sine wave)	
Physical Characteristics	Dimensions (W x H x D)	200 x 320 x 480 mm (7.9" x 12.6" x 18.9")	
	Weight	12.8 kg (28.2 lb)	

Front View

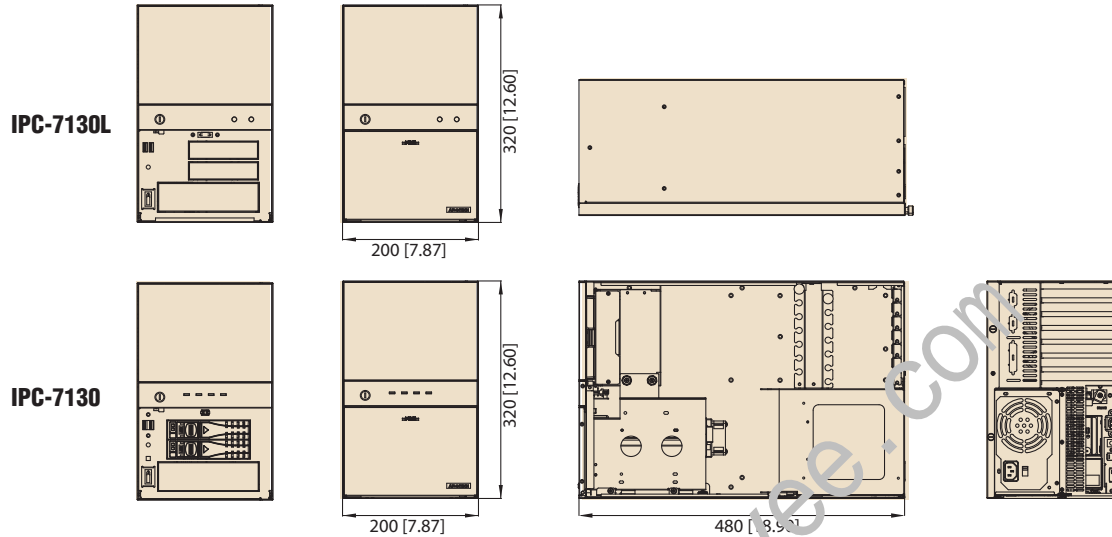


Inside View



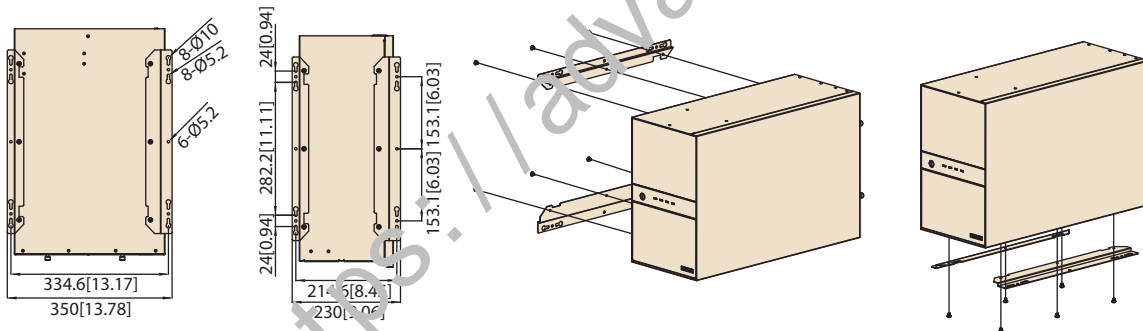
Dimensions

Unit: mm [inch]



Installation

Unit: mm [inch]



Ordering Information

Number	Power supply	Power supply type	Wattage	80 plus grade	Switch type
IPC-7130 series					
IPC-7130-00B	(NA, barebone)	NA	NA	NA	ATX
IPC-7130-50B	PS8-500ATX-BB	Single	500W	Bronze	ATX
IPC-7130L series					
IPC-7130L-00B	(NA, barebone)	NA	NA	NA	ATX

Packing List

Part number	Description	Quantity
IPC-7130 / or IPC-7130L, Rev.B	IPC-7130 / or IPC-7130L wallmount chassis	1
1750008561-01	12 cm system PWM fan	1
1700024778-11	fan cable for 12cm system fan	1
1750009289-01	6 cm PWM fan for hot-swap tray (in IPC-7130)	1
1700030260-01	fan cable for 6 cm how-swap tray fan (in IPC-7130)	1
98R2132000E	hot-swap tray (in IPC-7130)	2
1990001392	plastic filter	1
Content of Accessory Box		
1960002043T006	Mounting bracket	1
1960004574T008	Mounting bracket	1
1990005896S000	rubber feet	4
1930004346	screws for rubber feet	4
	Screws/nuts and rubber for motherboard and devices	one bag
2002713002	User manual (in IPC-7130)	1
2002713010	User manual (in IPC-7130L)	1

Power Supply Options

Part Number	80 Plus Grade	Wattage	Type	Input
PS8-300ATX-ZBE	Bronze	300W	Single	90 - 264 V _{AC}
PS8-500ATX-BB	Bronze	500W	Single	90 - 264 V _{AC}

Optional Accessories

Part Number	Description
1700029268-01	Power cable for GPU card (Primary) (Two 4-pin 12V connectors to one 6+2 pins PCIe power connector)
1700024754-01	Power cable for GPU card (Secondary) (Two B4P Molex connectors to one 6+2 pins PCIe power connector)

* If GPU card with 2 power connectors, please use 1700029268-01*1 + 1700024754-01*1; if GPU card with 1 power connector, please use 1700029268-01

* Only 500W or higher wattage PSUs support 1700029268-01 and 1700024754-01 for high-end GPU card.