

# FPM-815S

## 15" XGA Industrial Monitor with Resistive Touch Control, Direct VGA, DP Ports, and 304 Stainless Steel Front Bezel



### Features

- 15" XGA TFT LED LCD with 70K backlight lifetime
- Robust design with 304 stainless steel front bezel and anti-rust coated SPCC rear cover  
Wide operating temperature range (-20 ~ 60 °C/-4 ~ 140 °F)
- Increased reliability with enhanced 5-wire resistive touch sensor
- Anti-glare screen with tempered glass and IP66-certified front panel
- Direct VGA & DP video input interface
- OSD control pad with lockable function on rear panel
- Supports panel, VESA, wall, desktop, and stand mounting

### Introduction

FPM-800S series is a rugged and reliable industrial monitor, which also supports wide-temperature that makes it suits almost all applications. True flat IP66-rated front brings not only the elegant outlook, it also provides protection from water and dust intrusion that making daily cleaning easier. With the support for a wide operating temperature range (-20 ~ 60°C / -4 ~ 140°F) and 304 stainless steel front bezel, FPM-800S is especially suitable in hygiene-demanding and hazardous environments.

### Specifications

#### General

- **OSD Controls** OSD control pad on rear panel with lockable function  
Two user-defined contrast/brightness settings
- **Certification** CE, FCC Class A, BSMI, CCC, UL
- **Dimensions (W x H x D)** 405.3 x 329.4 x 59.3 (15.96 x 12.97 x 2.33 in)
- **Enclosure** Front panel: 304 stainless steel bezel  
Rear cover: SPCC with anti-rust coating
- **Mount Options** Panel, wall, desktop, VESA arm
- **Power Input** Phoenix Jack: 24 Vdc input
- **Power Consumption** 12W +20%
- **Video Port** VGA & DP Port
- **Weight (Net)** 7.73 kg (17.04 lbs)

#### LCD Display

- **Display Type** XGA TFT LCD
- **Backlight Type** LED
- **Display Size** 15"
- **Max. Resolution** 1024 x 768
- **Max. Color** 16.7M
- **Viewing Angle (H/V °)** 176/176
- **Luminance (cd/m<sup>2</sup>)** 500
- **Backlight Life** 70,000 hr
- **Contrast Ratio** 2500:1

#### Touchscreen

- **Driver** Penmount 6000
- **Type** 5-wire resistive with enhanced ITO film
- **Interface** USB
- **Lifespan** 36 million with a silicone rubber R8 finger,  
writing rate is by 250g at 2 times/s
- **Light Transmission** > 80%
- **OS Support** Windows XP, 2000, Vista, 7/8/10 Embedded, CE, Linux

#### Environment

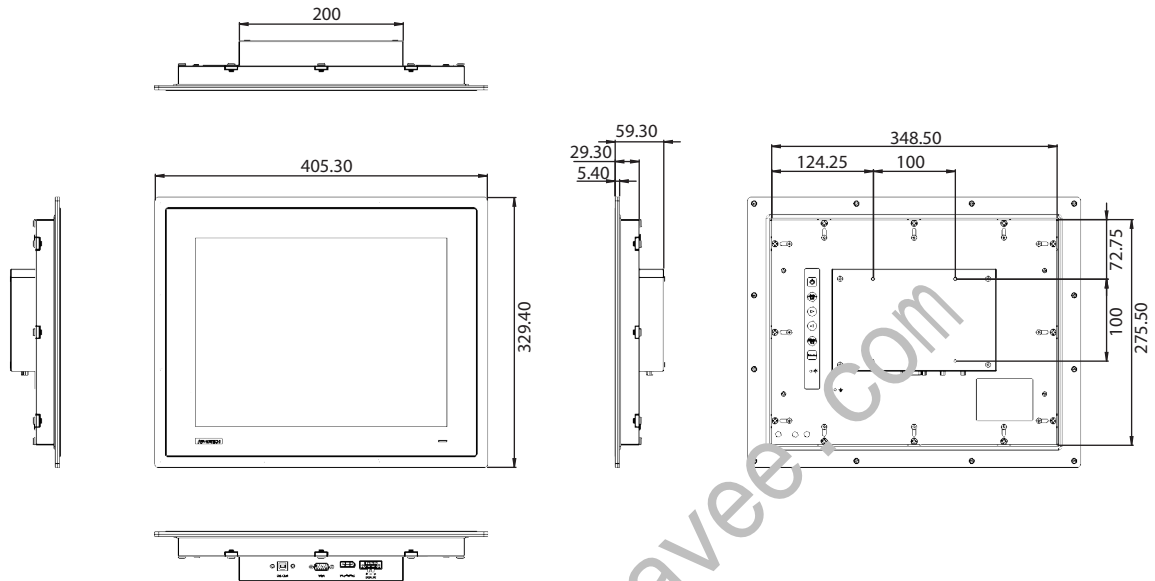
- **Operating Temperature** -20 ~ 60 °C (-4 ~ 140 °F)
- **Storage Temperature** -30 ~ 70 °C (-22 ~ 158 °F)
- **Humidity (Storage)** 10 ~ 90% non-condensing
- **IP Rating** Front panel IP66
- **Shock** 11ms, 10G (Non Operating, Half Sine Wave)
- **Vibration** 5 ~ 500 Hz, 1 Grms (Operating, Random)

### Ordering Information

- **FPM-815S-R6AE** 15" XGA Ind. Monitor w/ SS Front, Wide Temp, Res. TS

## Dimensions

Unit: mm

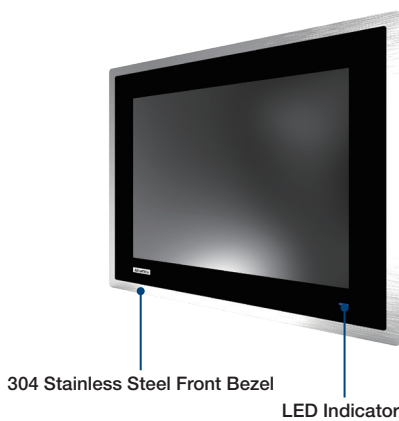


Panel Cutout Dimensions: 357 x 277 mm (13.78 x 10.91 inch)

## Optional Accessories

- 1702002600 Power Cable US Plug 1.8 M
- 1702002605 Power Cable EU Plug 1.8 M
- 1702031801 Power Cable UK Plug 1.8 M
- 1700000596-11 Power Cable China/Australia Plug 1.8 M
- FPM-1000T-SMKE Desktop/Wall Mounting kit for FPM series
- 96PSA-A60W24T2 Adapter 100-240V 60V 24V 2.5A

## Front View



## Rear View

