

# FPM-7211W

## 21.5" Full HD Industrial Monitor with PCAP Touch Control, Direct VGA, and DVI Ports



### Features

- 21.5" Full HD TFT LED LCD
- 16:9 widescreen aspect ratio, increases viewing area by 40%
- Supports 10-point multi-touch control via USB interface in Windows 7/8/10 OS
- Slim design enables easy installation
- Supports various mount options: panel, wall, desktop, and VESA arm
- Touchscreen with reliable glass surface and PCAP touch control
- Robust system with SECC chassis and IP66-rated magnesium alloy front panel
- OSD control buttons on rear panel
- Lockable I/O connectors

### Introduction

The FPM-7211W is an industrial-grade, widescreen monitor with sleek, simple lines and a true-flat touchscreen. Equipped with PCAP 10-point multi-touch control and an IP66-rated front bezel, FPM-7211W is designed for intuitive operation in harsh industrial environments. Moreover, FPM-7211W supports a range of mount options to ensure easy, single-person installation.

### Specifications

#### General

- **OSD Controls** OSD control buttons on rear panel
- **Certification** BSMI, CCC, CE, FCC Class A, UL
- **Dimensions (W x H x D)** 558.4 x 349.8 x 47.7 mm (21.98 x 13.77 x 1.88 in)
- **Enclosure** Front panel: Die cast magnesium alloy  
Rear cover: SECC
- **Mount Options** Panel, wall, desktop, VESA (M.S.100.C)
- **Power Input** Phoenix Jack: 24 V<sub>DC</sub> input
- **Power Consumption** 25 W + 20%
- **Video Port** VGA & DVI-D port
- **Weight (Net)** 8 kg (17.6 lb)

#### LCD Display

- **Display Type** Full HD TFT LED LCD
- **Display Size** 21.5"
- **Max. Resolution** 1920 x 1080
- **Max. Color** 16.7M
- **Viewing Angle (H/V °)** 178/178
- **Luminance (cd/m<sup>2</sup>)** 300
- **Backlight Life** 50,000 hr
- **Contrast Ratio** 5000:1

#### Touchscreen

- **Type** Projected capacitive touch
- **Interface** RS-232 and USB
- **Light Transmission** Above 75%
- **OS Support** Windows XP, Vista, 7, 8, 10, XPe and Linux
- **Multi Touch** 10 points, USB interface in Win 7/8.
- **Hardness** >6H

#### Environment

- **Operating Temperature** 0 ~ 55 °C (32 ~ 131 °F)
- **Storage Temperature** -20 ~ 60 °C (-4 ~ 140 °F)
- **Humidity (Storage)** 10 ~ 90% non-condensing
- **IP Rating** Front panel is IP66 compliant
- **Vibration** 5 ~ 500 Hz, 1 Grms (Operating, Random)

### Ordering Information

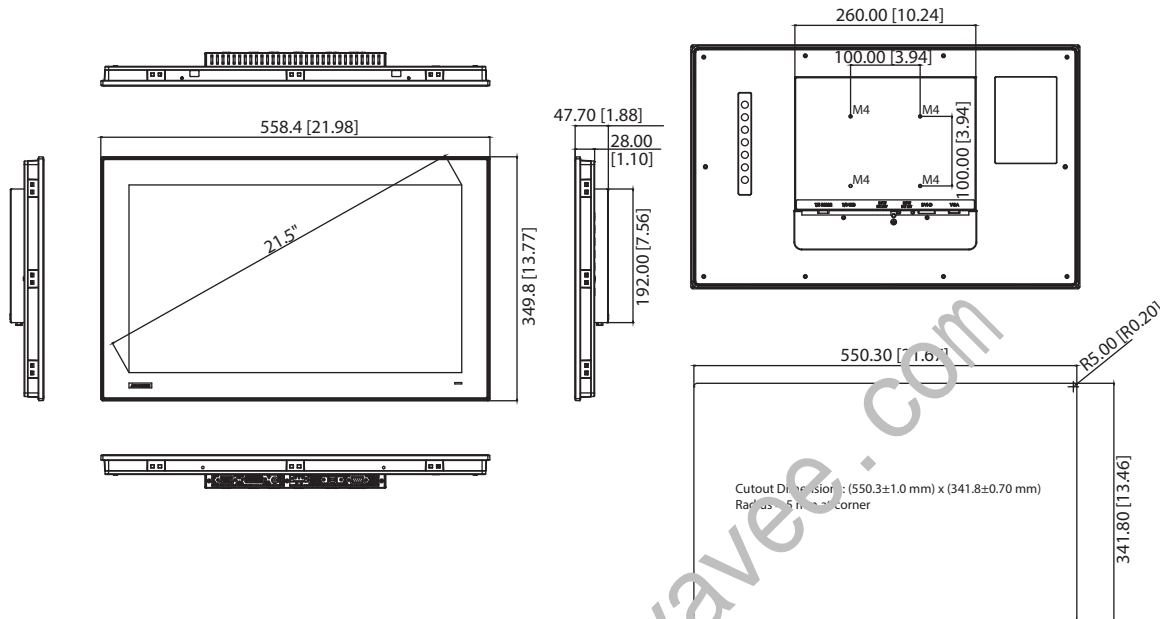
- **FPM-7211W-P3AE** 21.5" Full HD Ind Monitor w/PCT TS (RS-232, USB)

### Optional Accessories

- **1702002600** Power Cable US Plug 1.8 M
- **1702002605** Power Cable EU Plug 1.8 M
- **1702031801** Power Cable UK Plug 1.8 M
- **1700000596-11** Power Cable China/Australia Plug 1.8 M
- **FPM-1000T-SMKE** Desktop/Wall Mounting kit for FPM series
- **PWR-247-DE** Adapter 100-240V 60W 24V 2.5A

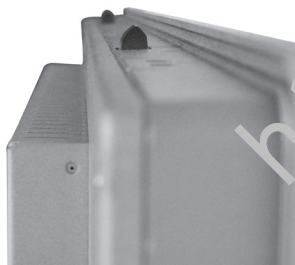
## Dimensions

Unit: mm



## Easy Installation

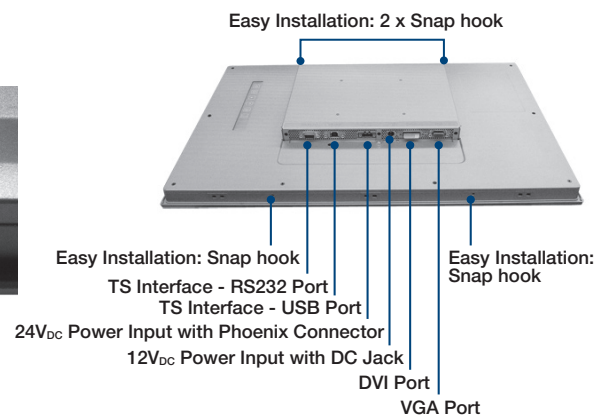
Snap hook in rear cover



Stopper screw in rear cover



## Rear View



## Packing list

Item	Part No.	Description	Qty
Clamper	1962055040	CLAMPER PPC-55 M1632611 A2	12
Clamper screw	1935042520	Screw M4*25L R/S D=8.3 H=2.5 + ST BZn	12
USB touch Cable	1700017851-01	M Cable USB-A(M)/USB-B(M) 180CM black color	1
RS232 cable	1700091800	M Cable D-SUB 9P(M)/D-SUB 9P(F) 183CM	1
VGA cable	1700021332-01	M CABLE D-SUB 15P(M)/D-SUB 15P(M) 180CM VESA B1	1
GND cable	1703011001-11	A Cable G-TEM. 100CM C=GR/Y PPC-55	1
Terminal Block	1652007930-01	Plug-In Block 1x3P/5.08mm/PA66/F/VA/Sn/GR/H15.0 (24V <sub>DC</sub> only)	1