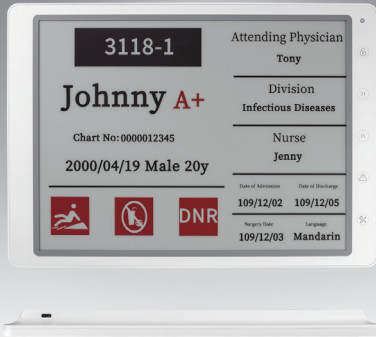


EPD-660, EPD-662

13.3" ePaper Wi-Fi Display Solution

NEW



Features

- ARM Cortex-M4 Core Processor
- Supports IEEE 802.11b/g/n
- 13.3" ePaper panel display: EPD-662 for red/black/white, EPD-660 for black/white (16 gray level)
- Multiple Control I/O: 5 buttons and 2 color LED
- Supports wide operating temperatures 0 ~ 40 °C; 32 ~ 105 °F (red/black/white), 0 ~ 50 °C; 32 ~ 122 °F(black/white without battery)
- High performance integrated system
- Supports upgrade over-the-air (OTA)
- Solution with WISE-3220 Wi-Fi AP and ARK DeviceOn/ePaper

Introduction

Advantech EPD-660 and EPD-662 ePaper solutions support 2.4GHz RF wireless protocols integrated within a 13.3" display solution with ARM Cortex-M4 processor. EPD-660 and EPD-662 support optimized power consumption and device management, delivering long battery lifetimes and a 2.4GHz Wi-Fi solution adaptable to diverse applications. These solutions offer multiple buttons and indicators for application control, and are integrated with RESTful API for DeviceOn/ePaper. They also support system integrator, yielding an effective, powerful solution.

Specifications

ePaper Display	Screen Size	285 x 213 mm; 13.3"	
	Resolution	1600x1200 pixels	
	Color	Black, white (16 gray level) or red/black/white	
Wireless Network	Standard	IEEE 802.11b/g/n	
	Frequency Band	2.4000-2.4840 GHz for Wi-Fi and BLE	
Antenna	WLAN	IEEE 802.11b/g/n PCB Ant 2.4GHz WiFi with MHF Gain 4.2 dBi. WALSIN: RFPCA400817IMAB301	
	Bluetooth	BT4.1 PCB Ant 2.4GHz BLE with MHF Gain 4.2 dBi. WALSIN: RFPCA400817IMAB301	
System I/O	Function Button	SW reset/wake-up/HW reset button in reset hole	
	Page Button (Without button version doesn't contain this item)	P1 next page P2 previous page P3 13th page for alarm P4 14th page for system information	
	LED	Red: System alarm and abnormal battery status Green: Data transmit, battery starts charging, and button wake up	
Power	Power Package Specification:	8233mAh/5V	DC-in
Environment	Operational Temperature	0 ~ 40 °C; 32 ~ 104 °F (w/ battery, w/ button)	
		0 ~ 40 °C; 32 ~ 104 °F (w/o battery, Black,White,Red, w/ button)	
		0 ~ 50 °C; 32 ~ 122 °F (w/o battery, 16 grey, w/ button)	
	Non-Operational Temp.	0 ~ 40 °C; 32 ~ 104 °F (w/ battery, w/o button)	
		0 ~ 40 °C; 32 ~ 104 °F (w/o battery, Black,White,Red, w/o button)	
Operating Humidity	-10 ~ 50 °C; 14 ~ 122 °F (w/ battery, w/ button)		
Housing Mechanical (preliminary)	Material Type	Button version with IP65 plastic housing Non-button version with IP54 plastic housing	
	Dimension	235 x 328 x 23 mm; 9.25 x 12.9 x .9 in	
	Weight	1.2kg (2.64lb) with battery/button	
		0.9kg (1.98lb) w/o battery and w/ button	
EMC	1.17kg (2.57lb) with battery and w/o button 0.865kg (1.90lb) w/o battery and w/ button CE/FCC/NCC/Telec		

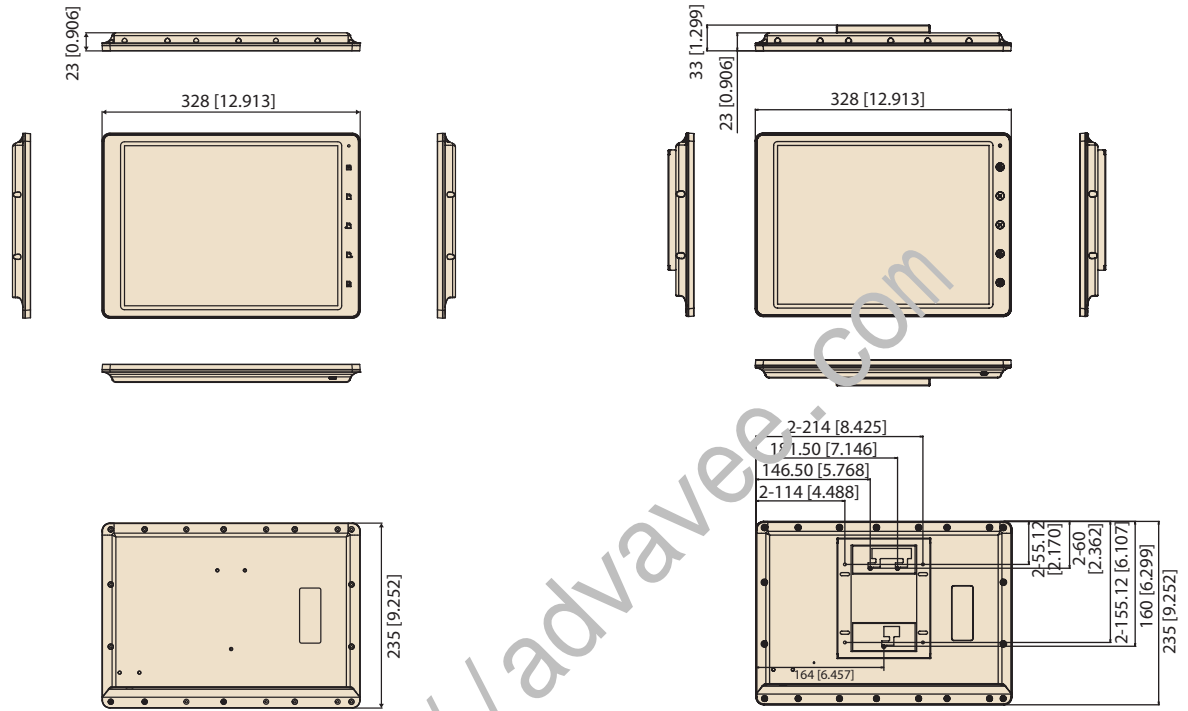
Note:

- The channel frequency selection can be supported by further plan.
- EPD Data Report and Wakeup behavior duration can be adjusted by different scenario from RESTful API
- System bundles wireless modules; which need RED compliance

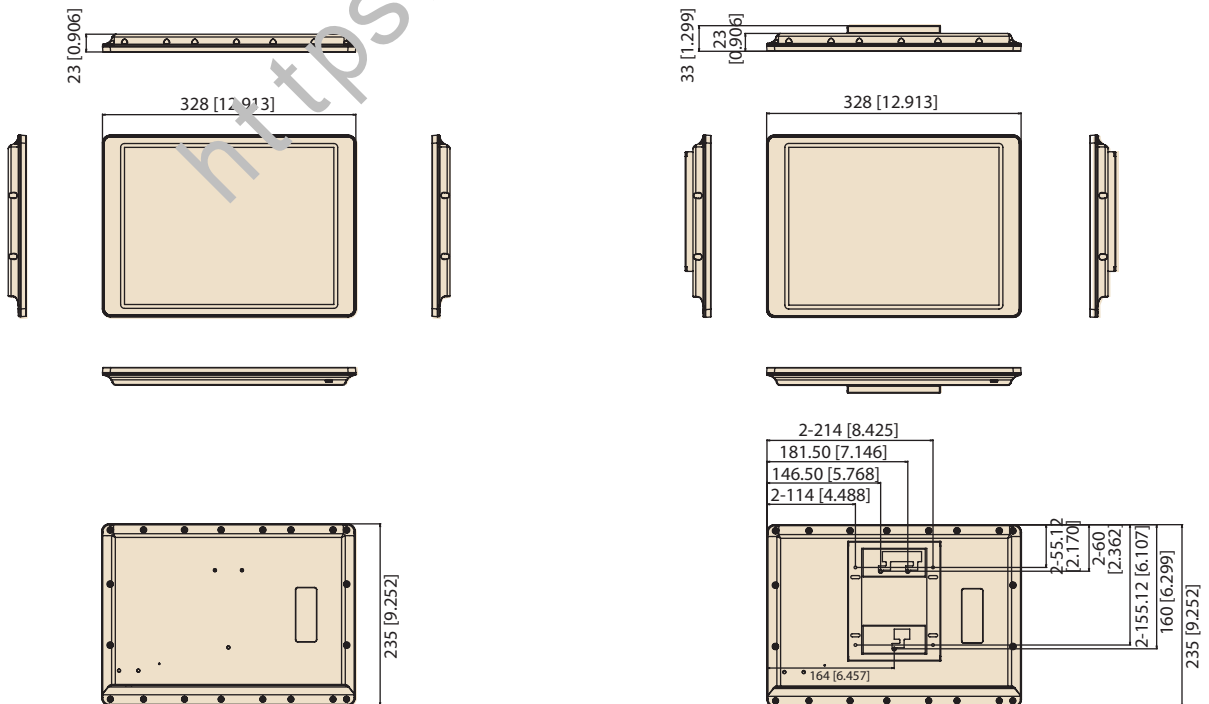
Dimensions

Unit: mm [inch]

Button version



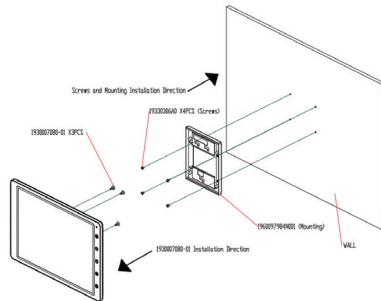
Non-button version



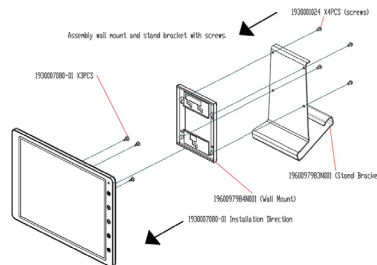
Dimensions

Bracket

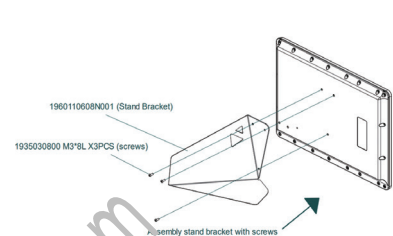
EPD-660-BK1



EPD-660-BK2



EPD-660-BK3



Ordering Information

Model Name	Part Number	Description
EPD-660	EPD-660-002	13.3" B,W WiFi IP65 w/ battery
EPD-660	EPD-660-102	13.3" B,W WiFi IP65 w/o battery
EPD-662	EPD-662-002	13.3" R,B,W IP65 WiFi w/Battery
EPD-662	EPD-662-102	13.3" R,B,W WiFi IP65 w/o battery
EPD-662	EPD-662-003	13.3" RBW WiFi w/ battery w/o button and IP54
EPD-662	EPD-662-103	13.3" RBW WiFi w/o battery w/o button and IP54
EPD-662	EPD-662-004	13.3" RBW WiFi w/ battery w/ button and IP54
EPD-662	EPD-662-104	13.3" RBW WiFi w/o battery w/ button and IP54

Development Kit Ordering Information

	Part No.	Description
EPD device	EPD-662-102	13.3" red/black/white ePaper Wi-Fi display system device in 2.4G
	EPD-660-102	13.3" black/white ePaper Wi-Fi display system device in 2.4G
	EPD-662-103	13.3" red/black/white ePaper Wi-Fi display system device in 2.4G
Router	WISE-3220IOS-21A1E	Wi-Fi AP and configuration router for EU
	WISE-3220IOS-21A1J	Wi-Fi AP and configuration router for JP
	WISE-3220IOS-21A1N	Wi-Fi AP and configuration router for NA
	WISE-3220IOS-21A1T	Wi-Fi AP and configuration router for TW
	WISE-3220IOS-21A1C	Wi-Fi AP and configuration router for China
ePaper Manager Server	ARK-1123H-EP2A2 for entry-level use	Ubuntu 18.4/128G SSD/8G RAM and build in ePaper Manager Software with 500 device licenses
	ARK-2250L-EP1A2 for enterprises	Ubuntu 18.4/1T HD/16G RAM and build in ePaper Manager Software with 500 device licenses

* Ordering EPD device, WISE-3220, and ARK ePaper Manager Server one each to try Advantech wireless EPD display solution

Packing List

Before installing ePaper device system, please check the items that listed as below are in good condition. If there are any items which are not consistent with your goods, please contact with your dealer immediately.

EPD-660, EPD-662 EPD device

Model Name	Part Number	Description
EPD-660	EPD-660-002	1. 13.3" B,W WiFi IP65 w/ battery 2. Type-C connector cable 100 cm (3.2 ft)
EPD-660	EPD-660-102	1. 13.3" B,W WiFi IP65 w/o battery 2. Type-C connector cable 100 cm (3.2 ft)
EPD-662	EPD-662-002	1. 13.3" R,B,W IP65 WiFi w/Battery 2. Type-C connector cable 100 cm (3.2 ft)
EPD-662	EPD-662-102	1. 13.3" R,B,W WiFi IP65 w/o battery 2. Type-C connector cable 100 cm (3.2 ft)
EPD-662	EPD-662-003	1. 13.3" RBW WiFi w/ battery w/o button and IP54 2. Type-C connector cable 100 cm (3.2 ft)
EPD-662	EPD-662-103	1. 13.3" RBW WiFi w/o battery w/o button and IP54 2. Type-C connector cable 100 cm (3.2 ft)
EPD-662	EPD-662-004	1. 13.3" RBW WiFi w/ battery w/ button and IP54 2. Type-C connector cable 100 cm (3.2 ft)
EPD-662	EPD-662-104	1. 13.3" RBW WiFi w/o battery w/ button and IP54 2. Type-C connector cable 100 cm (3.2 ft)

* All Eink Panel inspection criteria refer to Eink CAS & Inspection standard document.

Optional Accessories

Model Name	Description
PSA-A45WM-U	ADP A/D 100-240V 45W 5/9/12/15/20V US Plug
EPD-660-BK1	EPD-660.662 wall mount kit
EPD-660-BK2	EPD-660.662 stand bracket kit
EPD-660-BK3	EPD-660.662 wall mount kit_ID
1960099319N001	Type C plug bracket
1930005541	Screw for type-C bracket