

EPD-660-101/ EPD-662-101

13.3" ePaper Wifi Display Device

NEW



Features

- ARM Cortex-M4 Core Processor
- Supports IEEE 802.11b/g/n
- 13.3" ePaper panel display
- Supports operation temperatures of 0 ~ 40 °C (Red/Black/White), 0 ~ 50 °C (Black/White)
- High performance integrated system
- Supports over-the-air upgrade (OTA)
- Solution with WISE-3220 Wi-Fi AP and ARK DeviceOn/ePaper

Introduction

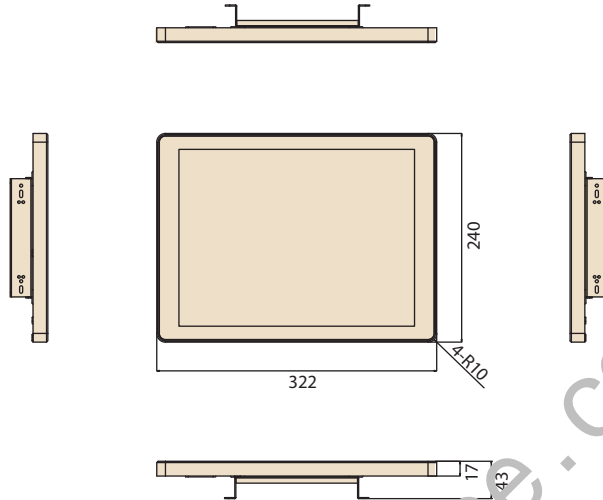
Advantech EPD-660 and EPD-662 ePaper solutions support 2.4GHz RF wireless protocols integrated within a 13.3" display solution with ARM Cortex-M4 processor. EPD-660 and EPD-662 support optimized power consumption and device management, and a 2.4GHz Wi-Fi solution applicable to diverse applications. Wireless ePaper offers RESTful APIs on DeviceOn/ePaper and system integrator can design different application.

EPD-132 Specifications

Computing System	MCU	ST 32-bit ARM Cortex-M4 Processor	
	Memory	RAM 256 KB	
Display	Screen Size	285.8 x 213.65 mm	
	Resolution	1600 x 1200 pixels	
Storage	Internal	ITE SPI Flash: 32Mb	
	External	BM22 SPI Flash: 128Mb	
Wireless Network	Standard	IEEE 802.11b/g/n and Bluetooth Low Energy	
	Frequency Band	2.4000~2.4840 GHz for Wi-Fi 2.4000~2.4835 GHz for BT	
	Channels	11 for Wi-Fi 0~78 for BT 2.1+EDR 0~39 for BLE	
	Transmit Power	Typ. 14 dBm at 802.11b CCK Mode 1M Typ. 12 dBm at 802.11g OFDM Mode 54M Typ. 12 dBm at 802.11n OFDM Mode MCS0 Typ. 5 dBm for BLE (class 1.5)	
	Receiver Sensitivity	Typ. -95dBm at 1 Mbps Typ. -75 dBm at 54 Mbps Typ. -89 dBm at MCS0 Typ. -89 dBm for BLE	
	Function	End node	
	Antenna connector	MHF	
Power	DC 5V	Micro USB (CN2) up to 0.9A/4.5 W in USB3.0 host Micro USB (CN3) up to 2A/10 W	Data transmission mode with power supply
	Power consumption	Standby: 18mA / 90mW Application: 0.25A / 1.25W	
Environment	Operational Temperature	0 ~ 40 °C (Red/Black/White), 0 ~ 50 °C (Black/White)	
	Non-Operational Temp.	-25 ~ 60 °C (R/B/W) , -25 ~ 70 °C (B/W)	
	Assembly Temperature	10 ~ 40 °C	
Housing Mechanical	Operating Humidity	5 ~ 85% Relative Humidity, non-condensing	
	Material Type	Metal (NCT)	
	Painting Type	SECC+ Painting	
	Dimension	240 x 322 x 60.5 mm/ 240 x 322 x 24 mm	
Physical Characteristics	Weight	1.3kg	
	Dimensions (W x H)	Panel: 285.8 x 213.65 mm PCBA: 108 x 122 x 3.9 mm	
	Weight	Panel: 0.12g PCBA: 0.17g	
Operating System	ThreadX v5.6		

13.3" ePaper Wifi Display Device

Dimensions



Ordering Information

Part No.	Description
EPD-132R2AG-NSD01	13.3" Red/Black/White ePaper Wi-Fi display device in 2.4G
EPD-132B2AG-NSD01	13.3" Black/White ePaper Wi-Fi display device in 2.4G

Development Kit Ordering Information

	Model Name	Description
EPD device	EPD-662-101	13.3" Red/Black/White ePaper Wi-Fi display device in 2.4G
	EPD-660-101	13.3" Black/White ePaper Wi-Fi display device in 2.4G
Router	WISE-3220IOS-21A1E	Wi-Fi AP and configuration router for EU
	WISE-3220IOS-21A1J	Wi-Fi AP and configuration router for JP
	WISE-3220IOS-21A1N	Wi-Fi AP and configuration router for NA
	WISE-3220IOS-21A1T	Wi-Fi AP and configuration router for TW
	WISE-3220IOS-21A1C	Wi-Fi AP and configuration router for China
DeviceOn/ePaper Server	ARK-1121H-Er-PA2	for entry-level use: Ubuntu 20.04/128G SSD/8G RAM and build in DeviceOn/ePaper with 50 connection licenses
	ARK-2250L-EP1A2	for enterprises: Ubuntu 20.04/1T HD/16G RAM and build in DeviceOn/ePaper with 500 connection licenses

* Ordering EPD device, WISE-3220, and ARK DeviceOn/ePaper Server one each to try Advantech wireless EPD display solution

Packing List

Model Name	Part No.	Description
EPD-660-101	EPD-132B2AG-NSD01	1. 13.3" Black/White ePaper Device 2. Micro USB cable 60cm x1
EPD-662-101	EPD-132R2AG-NSD01	1. 13.3" Red/Black/White ePaper Device 2. Micro USB cable 60cm x1

* All E Ink Panel inspection criteria refer to E Ink CAS & Inspection standard document.

* Note: E Ink Recommend condition for storage:

Temperature: 20 +/-10 degree C

Humidity: 60% RH+/-10%RH, Non-condensing

* Note: If panel module has been put in low temperature between 0--25 degree C for a while, we recommend leaving it between 20 to 30 degree C for 4 days before assembly.

Optional Accessories

Model Name	Description
1960094460N001	Wall mount bracket