

EPD-258

25.3" Full Color ePaper Display Device



Features

- 25.3", >30k colors (ACeP) Color
- Resolution: 3200 x 1800
- USB-A, Micro USB, RJ45 (LAN), SD Card
- Wi-Fi 802.11 a/b/g/n/ac (2.4G/5G)
- Solution with DeviceOn/ePaper

Introduction

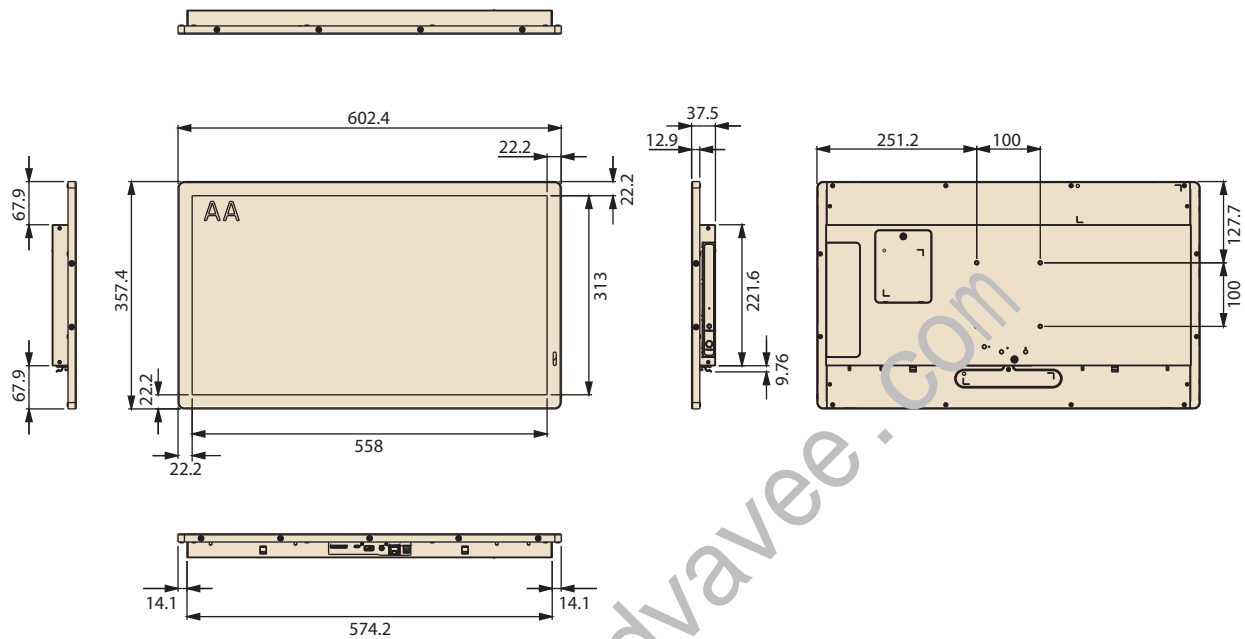
The Advantech EPD-258 can support hospital, factory, smart city and retail applications; and features optimized power consumption and device management. In addition, application layers can acquire data easily and communicate with ePaper devices through an ePaper manager server. This cloud solution enables SI to focus on application development.

Specifications

Screen	Size	25.3"
	Resolution	3200x1800
	Ratio	16:09
	Color	>30k colors (ACeP+, E Ink Gallery Plus Display)
Chassis	Dimension	602.4 x 353.4 x 37.5
	Weight	2.2 Kg
	Mounting type	VESA 100x100 mm
System	CPU	CPU 1.3GHz quad core A35
	OS	Platform Android 11
	RAM /EMMC	RAM / ROM 2GB DDR3 / 16GB EMMC
	I/O	USB-A, Micro USB, RJ45 (LAN), SD Card
	Wireless	Wi-Fi 802.11 a/b/g/n/ac (2.4G/5G)
	Ethernet	10M/100M
	Power	Battery Capacity 18650 Li-batteries *4pcs (Prepared by customers) Power Supply 20V/45W AC/DC Adaptor
Environment	Operating Temperature	15 °C ~ 35 °C
	Operating Humidity	0% ~ 80%
	Storage Temperature	-25 °C ~ 50 °C
	Storage Humidity	0%~80%
Certification	NCC/FCC/CE/VCCI	

Dimensions

Unit: mm



Ordering Information

Model Name	Part No.	Description
EPD-258	EPD-258-W1D00	25.3" ACeP ePaper display device solution in Wi-Fi without battery

Development Kit Ordering Information

Model Name	Part No.	Description
EPD device	EPD-258-W1D00	25.3" ACeP ePaper display device solution in Wi-Fi without battery
DeviceOn/ePaper Server	ARK-1123H-EP2A2 for Entry	Ubuntu 20.4/1T HD/8G RAM with ePaper Manager Software featuring 100 x device licenses

Packing List

Model Name	Part No.	Description
EPD-258	EPD-258-W1D00	1. 25.3" ACeP ePaper display device solution in Wi-Fi without battery 2. 20V/45W AC/DC Adaptor