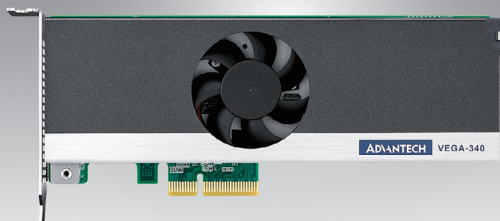


VEGA-340

PCIe x4 Intel® Movidius™ Myriad™ X Edge AI Module

NEW



Features

- Four/Eight Intel® Movidius™ Myriad™ X VPU onboard
- Hardware acceleration for common deep neural networks
- Scalable for multiple video stream edge inference
- 10 times the performance compared to previous generation
- Intel® OpenVINO™ toolkit for inference performance optimization
- Edge AI Suite with GUI for quick evaluation



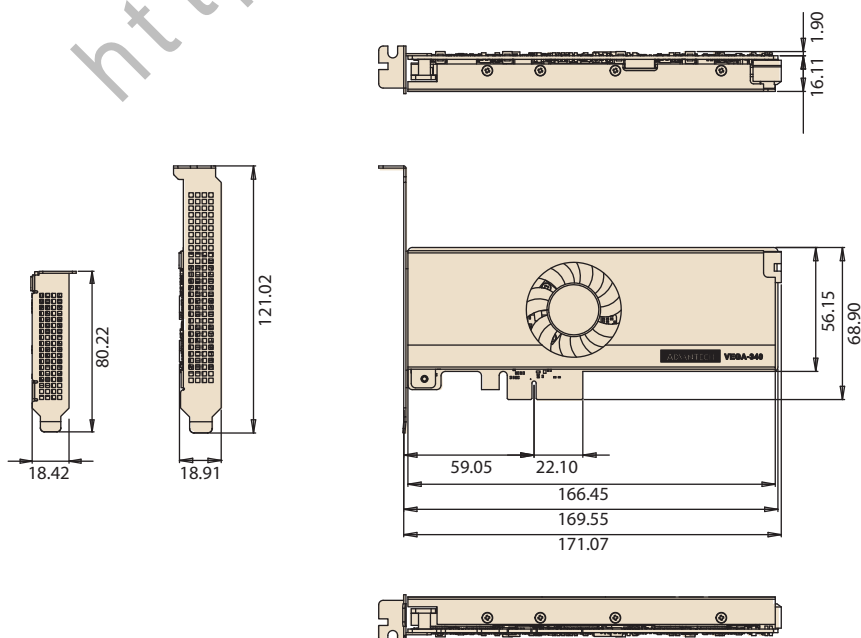
CE FCC

Specifications


| | | |
|-----------------------|--|---|
| | VEGA-340-04A1 | VEGA-340-08A1 |
| SoC | Four Intel® Movidius™ Myriad™ X MA2485 | Eight Intel® Movidius™ Myriad™ X MA2485 |
| Signal Interface | PCI Express x4 Compliant with PCI Express Specification V2.0 | |
| Power Consumption | Idle Mode. 6.7W Heavy Loading. 16.8W | Idle Mode. 9.6W Heavy Loading. 28W |
| Cooling | Active fan 12V 2-pin Pin 1.25mm connector | |
| Operating Temperature | 20 ~ 60 °C | |
| Power Source | Default power source from PCIe gold finger 6-pin connector for 12V _{DC} input by cable | |
| Dimensions | 171.07 x 68.9 mm | |
| Operating Systems | Windows 10 Enterprise 64 bit Ubuntu 18.04. LTS, 64-bit | |
| OpenVINO | OpenVINO 2019 R2 or latest | |

Dimensions

Unit: mm




Edge AI Suite Built-in

OpenVINO™ Toolkit

- Model Optimizer
- Inference Engine
- Supports TensorFlow, Caffe, mxnet, ONNX



Pre-Trained Models

- Facial Detection
- Pedestrian Tracking
- Human Pose Estimation



Deployment Wizard

- AI Model Launcher
- Deployment Reference
- CPU/VPU Monitoring

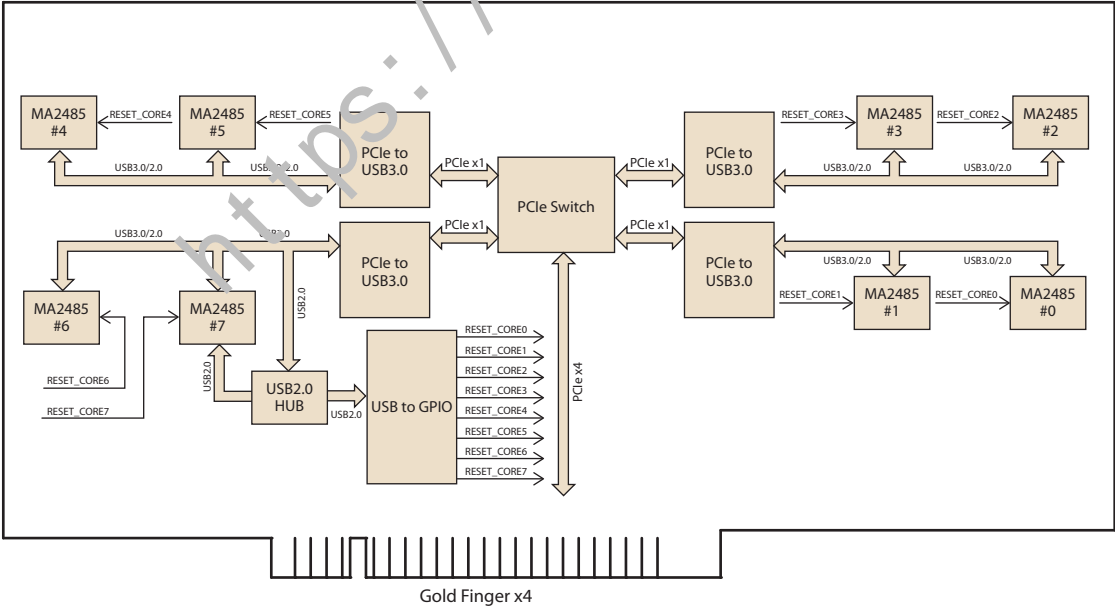


3rd Party AI SDK

- Vehicle Detection
- License Plate Recognition
- Optical Inspection

(Supported by project)

Block Diagram



Ordering Information

| Part Number | Description |
|---------------|---|
| VEGA-340-04A1 | PCIe x4 Edge AI acceleration module with Four Intel Myriad X |
| VEGA-340-08A1 | PCIe x4 Edge AI acceleration module with Eight Intel Myriad X |