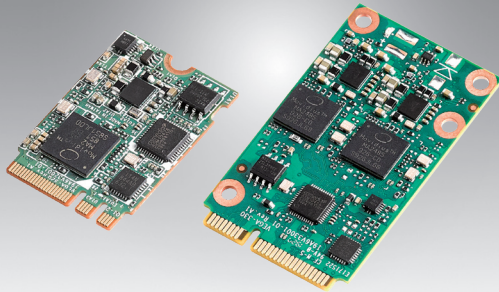


VEGA-320/ VEGA-330

Intel® Movidius™ Myriad™ X Edge AI Module

NEW



CE FCC

Features

- Intel® Movidius™ Myriad™ X VPU onboard
- Ultra compact, Low power consumption
- Hardware acceleration for common deep neural networks
- Scalable for multiple video streams edge inference
- 10 times the performance compared to the previous generation
- Intel® OpenVINO™ toolkit fully supported

Specifications

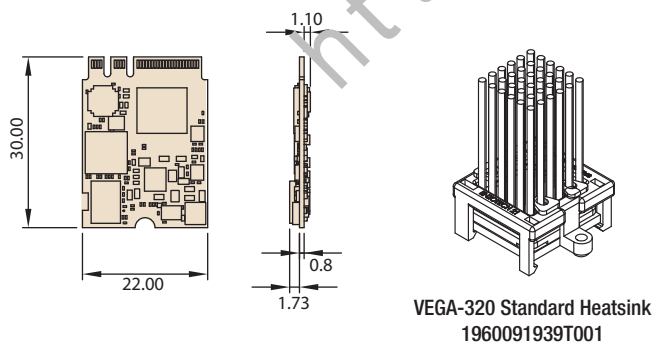
	VEGA-320-01A1	VEGA-330-01A1	VEGA-330-02A1
SoC	One Myriad X MA2485	One Myriad X MA2485	Two Myriad X MA2485
Form Factor	M.2 2230 (Key A+E)	Full size Mini PCIe	
Dimensions	22mm x 30mm x 3.63 mm	50.95mm x 30.00mm x 4.86 mm	
Signal Interface	PCIe Gen2 x1, USB 2.0		
Operating Temp.	-20 ~ 60 °C, with 0.7m/s air flow*	-20 ~ 60 °C, with 0.7m/s air flow*	-20 ~ 55 °C, with 0.7m/s air flow*
Power Consumption	3.8W	3.8W	7.6W
Cooling	Passive Cooling		
OS Support	Windows 10 Enterprise 64bit Ubuntu 16.04.3 LTS (64 bit) CentOS 7.4 (64 bit)		
OpenVINO	OpenVINO R2 2019 or latest		
Framework Support	TensorFlow, Caffe		

*Note: According to operating temperature tests performed with AIR-101 thermal solution.

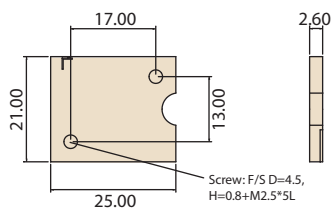
Dimensions

Unit: mm

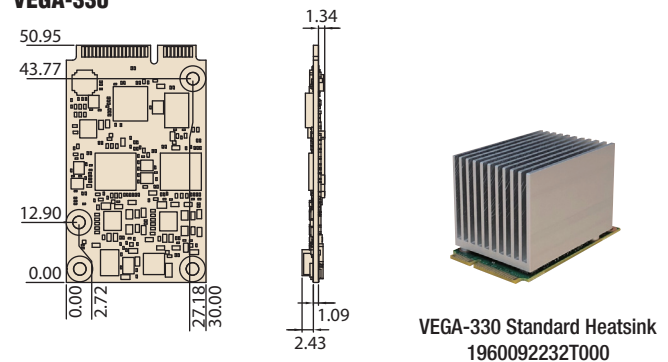
VEGA-320



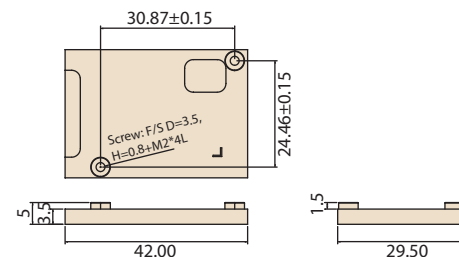
VEGA-320 Heat Spreader



VEGA-330



VEGA-330 Heat Spreader



Edge AI Suite Built-in



OpenVINO™ Toolkit

- Model Optimizer
- Inference Engine
- Supports TensorFlow, Caffe, mxnet, ONNX



Pre-Trained Models

- Facial Detection
- Pedestrian Tracking
- Human Pose Estimation



Deployment Wizard

- AI Model Launcher
- Deployment Reference
- CPU/VPU Monitoring

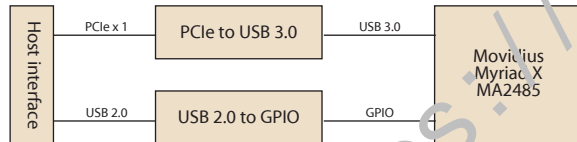


3rd Party AI SDK

- vehicle Detection
- License Plate Recognition
- Optical Inspection

(Supported by project)

Block Diagram



Ordering Information

Part Number	Description
VEGA-320-01A1	M.2 2230 Edge AI acceleration module with One Intel Myriad X
VEGA-330-01A1	Full size miniPCle Edge AI acceleration module with One Intel Myriad X
VEGA-330-02A1	Full size miniPCle Edge AI acceleration module with Two Intel Myriad X

Optional items

Part Number	Description
AMK-A0029	VEGA-320 heat spreader
AMK-A0030	VEGA-330 heat spreader

Packing List

Part Number	Description
VEGA-320-01A1	1 x VEGA-320 card 1 x 1960091939T001 heat sink 1 x Edge AI Suite download card, Startup manual, China RoHS 1 x M.2 screw
VEGA-330-01A1 VEGA-330-02A1	1 x VEGA-330 card 1 x 1960092232T000 heat sink 1 x Edge AI Suite download card, Startup manual, China RoHS 2 x 1930006235-01 (Silver), 193B0204C0 (Black) screws