

MOS-1110Y-0101E

Isolated 16 DI / 8 DO, 1-Ch, DB37, PCIe I/F

NEW



Features

- Meets Advantech Standard iDoor Technology
- PCI Express® Mini Card Specification Revision 1.2 compliant
- Supports wide-input/output voltage (10-30 V_{DC}/5-30 V_{DC})
- High over-voltage-protection (70 V_{DC}) and voltage isolation (2,500 V_{DC})
- Easy configuration & efficient programming by Advantech DAQNav
- I/O address automatically assigned by PCIe plug & play
- Keeps the output settings and values after system hot reset
- Supports ARK-2121L and ARK-6322



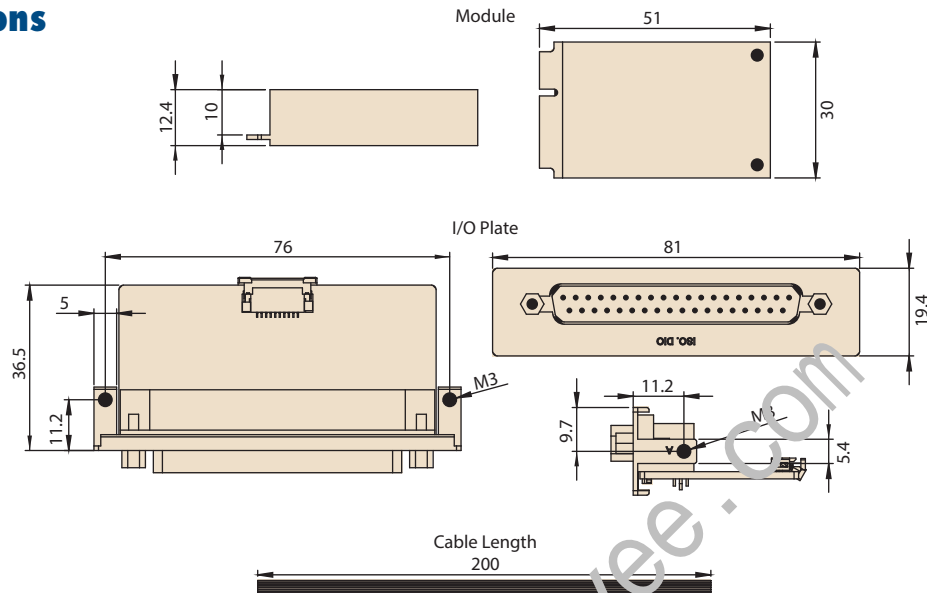
Specifications

General	Bus Type	PCI Express Mini Card Revision 1.2
	Certification	CE, FCC class A
	Connectors	1 x Female DB37
	Dimensions	Module: 51 x 30 x 12.4 mm (2" x 1.18" x 0.49") I/O Plate: 81 x 19.4 x 41 mm (3.17" x 0.77" x 1.61")
	Power Consumption	Typical: +3.3 V @ 400 mA Max.: +3.3V @ 520 mA
Isolated Digital Input	Input Channels	16
	Input Voltage (Wet Contact)	Logic 0: 0~3 V _{DC} Logic 1: 10~30 V _{DC}
	Input Voltage (Dry Contact)	Logic 0: Open Logic 1: Shorted to GND
	Input Current	10 V _{DC} @ 2.97 mA 20 V _{DC} @ 5.35 mA 20 V _D @ 9.73 mA
	Input Resistance	5K Ohm
	Interrupt Capable Channels	2 (IDI0, IDI8)
	Isolation Protection	2,500 V _{DC}
	Overvoltage Protection	70 V _{DC}
Isolated Digital Output	ESD Protection	4KV (Contact), 8KV (Air)
	Opto-Isolator Response	50 μs
	Output Channels	8
	Output Type	MOSFET
	Isolation Protection	2,500 V _{DC}
	Output Voltage	5 ~ 30 V _{DC}
Counter	Sink Current	100 mA max./channel
	Opto-isolator	Response 50 μs
	Channels	2
Software	Resolution	32 bits
	Max. Input Frequency	1 kHz
Environment	Tools & Drivers	Advantech DAQNav Tools & API Drivers
	OS Support	Microsoft® Windows® XP/7/8
Environment	Humidity (Operating)	5-95% RH, non-condensing
	Operating Temperature	-20 ~ 60°C (-4 ~ 140°F)
	Storage Temperature	-40 ~ 85°C (-40 ~ 185°F)

Dimensions

Module

Unit: mm



Ordering Information

Part Number	Description
MOS-1110Y-0101E	Isolated 16 DI/8 DO, 1-ch, DB37, PCIe I/F