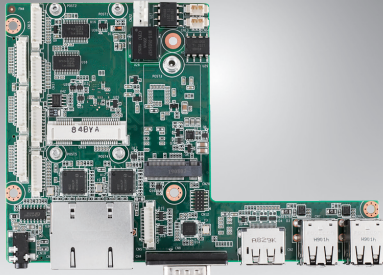


MIOe-260

**MIO Extension Board with Dual GbE,
4x USB2.0, 8x COM, 2x isolated CANBus,
M.2 B-Key, F/S miniPCle**

NEW



Features

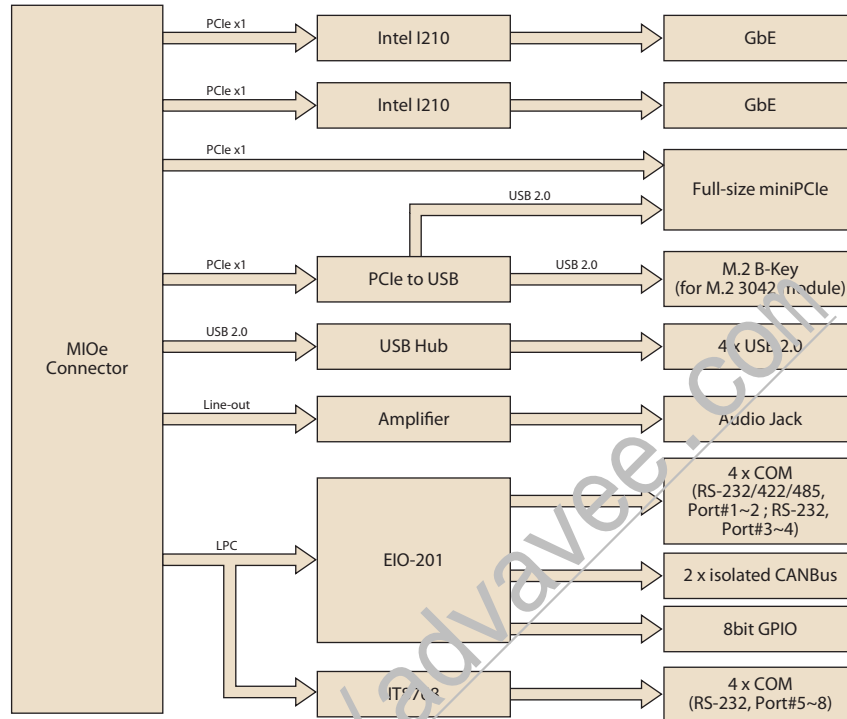
- Low-profile design(11mm) MIO expansion board
- Rich I/O: 2 x Intel GbE, 4 x USB2.0, 8 x UART (4 x High-speed serial port + 4 x serial ports), 1x Line-out, 1x GPIO, 2x isolated CANBus
- Multiple expansion: 1 x Full-size miniPCle slot and 1x M.2 B-Key 3042 slot with on-board Nano SIM holder for 4G/LTE wireless module
- Domain focus applications for AI/Automation/Sensor hub



Specifications

MIOe	Bus Interface	4 x PCIe / LPC / USB2.0 / Audio line-out
Ethernet	Controller	LAN1: Intel 210, LAN2: Intel 210
	Speed	10/100/1000 Mbps
External I/O	Ethernet	2 x RJ-45
	USB	4 x USB 2.0, Type A
	COM Port	1 x RS-232/422/485
	Audio Jack	1 x Line-out with 2.2V Amplifier
	SIM	1 x Nano SIM slot
Internal I/O	COM Port	1 x RS-232/422/485 2 x RS-232
	CAN Bus	2 x isolated CAN Bus
	FAN	1 x 4-Wire Smart Fan
	GPIO	1 x 8bit GPIO
Expansion	M.2	1 x M.2 B-Key 3042 slot (USB 2.0 for 4G/LTE) with Nano SIM card slot
	Mini-PCle	1 x Full-size Mini-PCle slot (PCIe & USB)
Miscellaneous	Sensor	1 x Temperature Sensor IC
Power	Power Supply Voltage	Supported from MIO Extension SBC
Compatibility	Mechanical	MIO-5373/MIO-5375/MIO-5391/MIO-5393
	Function	MIO-5373/MIO-5375/MIO-5391/MIO-5393
Environment	Temperature	Operating: Standard: 0 ~ 60 °C (32 ~ 140 °F), *Extend: -40 ~ 85 °C (-40 ~ 185 °F) (*Extend Temp. SKU is supported by request and bundled with T-P/N) Storage: -40 ~ 85 °C (-40 ~ 185 °F)
	Humidity	Operating: 40 °C @ 95% relative humidity, non-condensing
Certification	EMC	CE, FCC
Mechanical	Dimensions	146 x 102 mm (5.7" x 4")
	Weight	0.186 kg (0.41 lb)

Block Diagram



Ordering Information

Part No.	Description
MIOE-260L-00A1	M.2 B-key & F/S miniPCIe Dual intel GbE

Packing List

Part No.	Description	Quantity
	MIOe-260, MIOe extension board	1
1700030404-01	COM port cable	7
1700030518-01	CANBus cable	2
1700030405-01	DIO cable	1
	Screw Kit	1