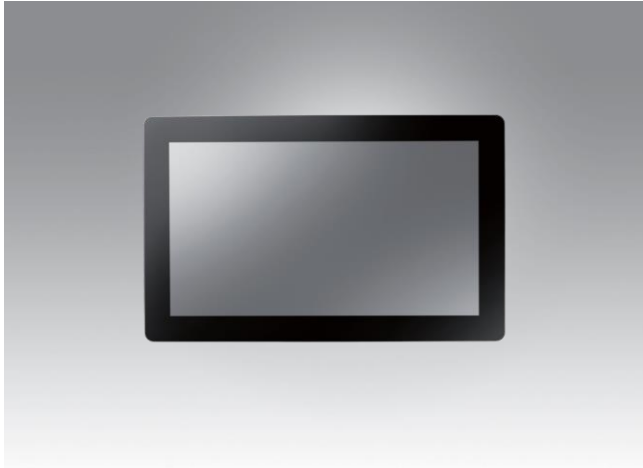


IDP31-156W

15.6" up to 1,200 cd/m² Ultra High Brightness Bezel-less Touch Monitor



Features

- 15.6" LCD wide screen panel with LED backlight delivers a long service life
- Supports wide operating temperatures
- True flat surface – contemporary Proflat design
- Wide viewing angles support portrait and landscape modes
- Thin profile enclosure eliminates need for additional casing or metalwork
- Multi-touch PCAP touchscreen with USB interface
- Optional anti-reflective surface treatment empowers sunlight readability
- Supports regular and Ultra High brightness 450 cd/m and 1200 cd/m²
- IP rating for water and dust protection



Introduction

Advantech's IDP31-156W Proflat monitor meets demands for stylish contemporary public signage, medical, and "PO" applications. This solution features a flat, easy to clean/maintain glass surface with long-term product availability. IDP31-156W can be used in either portrait or landscape modes using a VESA mount. This solution's metal chassis creates a rugged and stable platform for a wide range of applications and solutions.

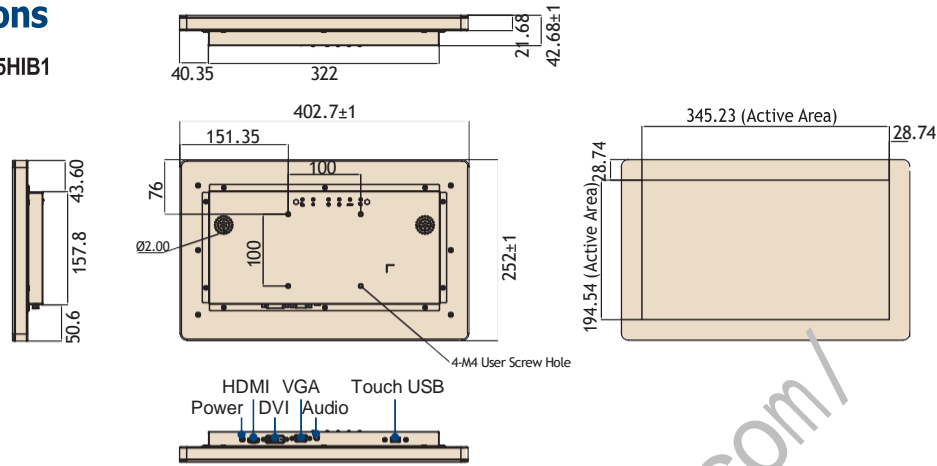
Specifications

Display Features	Specifications			Notes
Model	IDP31-156WP45HIB1 (with built-in speakers), FHD	IDP31-156WP45HIA1, FHD	IDP31-156WPK2HIA1, FHD	
Backlight	LED	LED	LED	Light source
Resolution	1920 x 1080	1920 x 1080	1920 x 1080	Full HD
Brightness	450 cd/m ²	450 cd/m ²	1200 cd/m ²	Measured at typical operating voltage
Viewing Angle	89°/89°/89°/89°	89°/89°/89°/89°	89°/89°/89°/89°	Left/Right/Up/Down
Max Colors	16.2M	16.2M	16.2M	
Contrast Ratio	800:1	800:1	800:1	
Response Time	25 ms	25 ms	25 ms	
Backlight Lifetime	50,000 hours	50,000 hours	50,000 hours	Typical time to half brightness in room temperature operation
Touchscreen Type	Projected Capacitive	Projected Capacitive	Projected Capacitive	10 points
Surface Hardness	6H	7H	7H	Pencil hardness
Transparency	86%	80%	80%	
Cover Glass Thickness	3 mm (0.12 in)	1.8 mm (0.07 in)	1.8 mm (0.07 in)	
Operating Temperature	-20 ~ 60 °C (-4 ~ 140 °F)	-20 ~ 65 °C (-4 ~ 149 °F)	-20 ~ 65 °C (-4 ~ 149 °F)	Panel Surface
Storage Temperature	-30 ~ 70 °C (-22 ~ 158 °F)	-30 ~ 70 °C (-22 ~ 158 °F)	-30 ~ 70 °C (-22 ~ 158 °F)	
Humidity	90% @ 40 °C (104 °F)	90% @ 40 °C (104 °F)	90% @ 40 °C (104 °F)	Non-condensing
Input/Output	1 x HDMI, 1 x VGA, 1 x DVI-D 1 x Audio (audio output 3W) 1 x 12 V _{DC} Jack, 1 x USB	1 x HDMI, 1 x 12 V _{DC} Jack, 1 x USB	1 x HDMI, 1 x 12 V _{DC} Jack, 1 x USB	USB is reserved for the connection to enable touch only
Power Consumption	12W	19W	21.8W	
Power Input	12V _{DC}	12V _{DC}	12V _{DC}	
Mounting	VESA mount	VESA/Panel mount	VESA/Panel mount	
IP Rating	Front IP54	Front IP67	Front IP67	
Package Dimensions	510 x 175 x 410 mm (20 x 6.88 x 16.1 in)	485 x 165 x 365 mm (18.3 x 6.40 x 14.3 in)	485 x 165 x 365 mm (18.3 x 6.40 x 14.3 in)	
Net Weight	5.0 kg (11 lb)	3.2 kg (7.93 lb)	3.2 kg (7.93 lb)	
Gross Weight	6.0 kg (13.2 lb)	4.2 kg (9.25 lb)	4.2 kg (9.25 lb)	

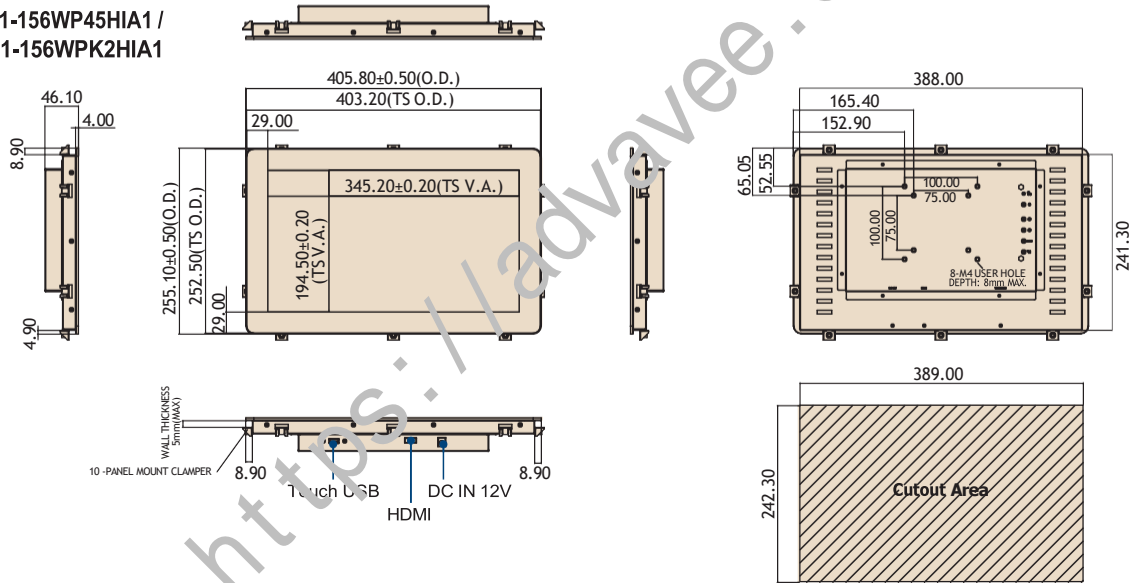
Dimensions

IDP31-156WP45HIB1

Unit: mm



IDP31-156WP45HIA1 /
IDP31-156WPK2HIA1



Ordering Information

Model Name	Description
IDP31-156WP45HIB1	15.6", Bezel-less touch monitor with PCAP touch screen, FHD, 450 cd/m ² brightness, VGA, DVI, and HDMI input
IDP31-156WP45HIA1	15.6", Bezel-less touch monitor with PCAP touch screen, FHD, 450 cd/m ² brightness, and HDMI input
IDP31-156WPK2HIA1	15.6", Bezel-less touch monitor with PCAP touch screen, FHD, 1200 cd/m ² brightness, and HDMI input

Optional Items

Part Number	Description
1702002600	3-Pin power cord (USA)
1700000596	3-Pin power cord (China)
1700018705	3-Pin power cord (EU)
1700018704	3-Pin power cord (UK)
1700000237-31	3-Pin power cord with PSE (Japan)
96PSA-A60W12R1-3	Adapter AC100-240V 60W +12V/5A
1700023591-01	HDMI cable 1.2m (3.9ft)

Packing List

IDP31-156WP45HIB1

Part Number	Description
1700002215-11	1 x M cable USB-A(M)/USB-A(M) 180cm (5.9ft)
1700021332-11	1 x VGA cable 15P(M) 1.8m (5.9ft)

IDP31-156WP45HIA1 & IDP31-156WPK2HIA1

Part Number	Description
1700002215-11	1 x M cable USB-A(M)/USB-A(M) 180cm (5.9ft)
1700027186-01	HDMI cable 1.5m (4.9ft)
1930002205	10 x Screw M4_30L
1962055040	10 x Clamper
1992610005	1 x Cable clamp
1933030500	1 x Screw of cable clamp

All Advantech monitors are configurable to order. Use www.advantech.com for guidance on versions, pricing and deliver for all models