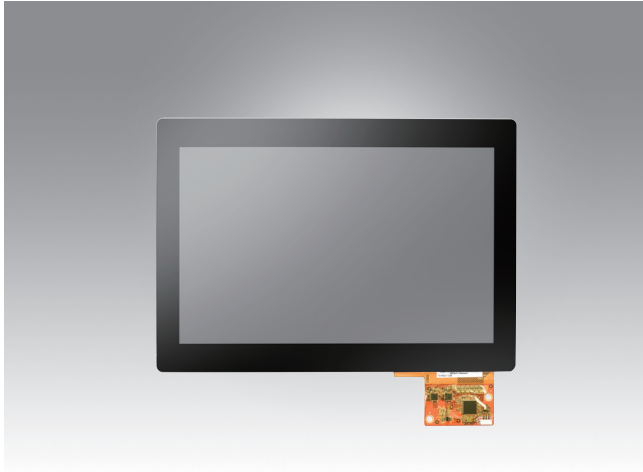


IDK-2110WP

10.1" WXGA 1,500 cd/m² Ultra High Brightness Industrial Display Kit with Touch Solution



Features

- 10.1" 1280 x 800 pixels LCD (Normally Black)
- Wide view angle: 85°/85°/85°/85°
- Wide operating temperature (-20~ 70 °C)
- High brightness of 1500 cd/m²
- Build in LED driver
- Projected capacitive touch
- COF touch controller (USB)
- Anti-Reflector surface treatment (customized request)
- Optical bonding (customized request)

Introduction

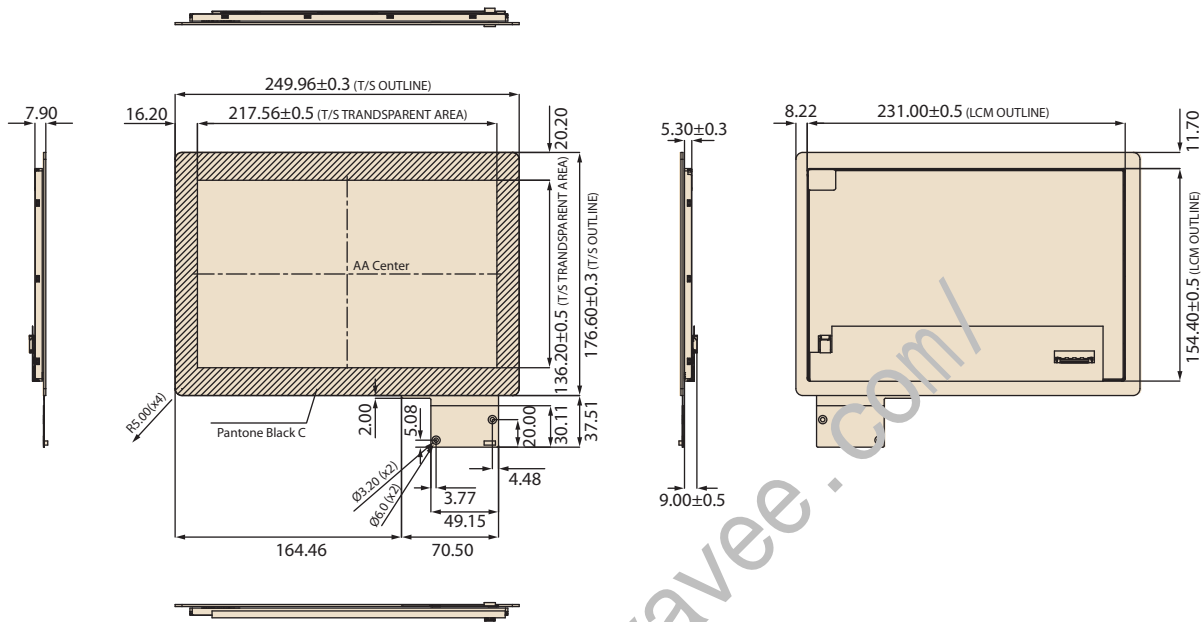
The Advantech IDK-2110WP series comes with a 10.1" industrial grade LCD display and project capacitive touch. The series is also available with flexible options for LCD screens enhanced treatment such as Anti-Reflection surface treatment and optical bonding solution. IDK-2110WP series has low power consumption at the typical of 9.9 W. IDK-2110WP series is ideal for embedded applications which customers have maximum flexibility for mechanical design.

Specifications

LCD Panel	Display Size	10.1", 16:10
	Resolution	1280 x 800 (WXGA)
	Viewing Angle (U/D/L/R)	85°/85°/85°/85°
	Brightness	1500 cd/m ²
	Backlight Life	50,000hrs
	Contrast Ratio	800:1
	Response Time	25ms
	Colors	8 bit (16.7 M)
	Voltage	3.3 V
	Consumption	9.9 W
	Signal Interface	LVDS
	Weight	360 g
	Dimensions (W x H x D)	231.0 x 154.4 x 9.05 mm
Touchscreen	Touch Screen	Projected capacitive
	Transparency	90 ± 3%
	Interface	USB
	Surface Treatment	Clear
	Surface Hardness	Mohs 5H
Environment	Operating Temperature	-20 ~ 70 °C
	Storage Temperature	-30 ~ 80 °C

Dimensions

Unit: mm



Note: Tolerances unless marked are ±0.5mm

Ordering Information

Part No.	Size	LCD Panel Brightness (cd/m ²)	Interface	Touch Screen	Touch Interface
IDK-2110WP-K5XGA1	10.1"	1500	LVDS	Project capacitive	USB

Packing List

Part Number	Description
1700027288-01	1 x USB cable 180cm.

Note: Package contents are subject to change without prior notice

Optional Order

SBC Part No.	LVDS cable P/N	Display interface	B/L cable P/N	Touch interface	Touch power input
MIO-5251	96CB-L2040PID5	LVDS	96CB-E0505PAC3	USB	5V
AIMB-217	96CB-L2040PID5	LVDS	96CB-E0505PAC3	USB	5V

Note: Package contents are subject to change without prior notice