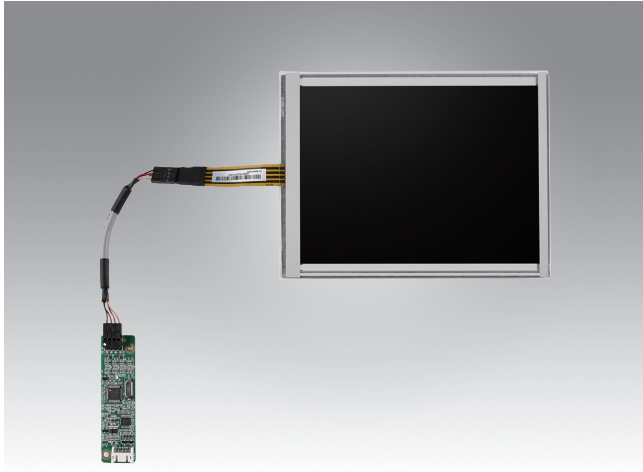


IDK-1106R-80VGA1

6.5" VGA Industrial Display kit with Touch Solution



Features

- 6.5" LCD supports 640 x 480 pixels and wide operating temperature (-10 ~ 60 °C)
- Brightness of 800 cd/m²
- 4-wire resistive touch solution
- High contrast ratio of 1000:1
- LVDS signal interface
- Low power consumption 2.27 W
- LED driver built in
- Touch control board included (USB)

Introduction

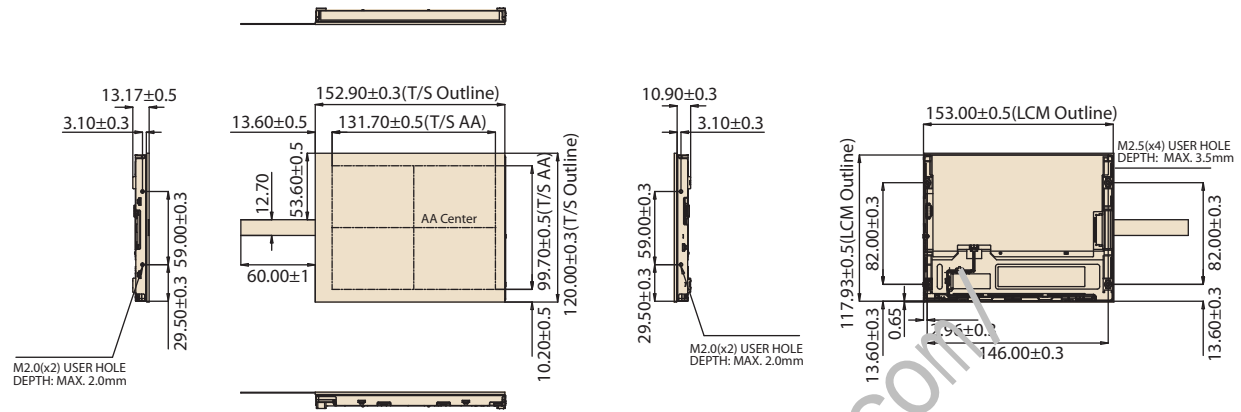
The Advantech IDK-1106R series comes with a 6.5" industrial grade LCD display with 4-wire resistive touch. The series is also available with flexible options for LCD screens enhanced treatment such as Anti-Reflection surface treatment and optical bonding solution. IDK-1106R series supports 4-wire resistive touch with low power consumption at the maximum of 2.27 W. IDK-1106R series is ideal for embedded applications which customers have maximum flexibility in mechanical design.

Specifications

| | | |
|------------------------|-------------------------|---------------------------------------|
| LCD Panel | Display Size | 6.5", 4:3 |
| | Resolution | 640 x 480 (VGA) |
| | Display Mode | Normaly Flat |
| | Viewing Angle (U/D/L/R) | 89°/89°/89°/89° |
| | Brightness | 800 cd/m ² |
| | Backlight Life (hrs) | 70,000 hrs |
| | Contrast Ratio | 1000 : 1 |
| | Response Time (ms) | 25 ms |
| | Colors | 6 Bit (262K)/8 bit (16.7 M) |
| | Voltage | 3.3 V Power |
| | Consumption | 2.27 W |
| | Signal Interface | 1 channel LVDS |
| | Weight | 170g |
| Dimensions (W x H x D) | 153.0 x 118.0 x 10.9 mm | |
| Touch Screen | Touch Screen | 4-wire Resistive |
| | Transparency | 82.5± 2.5% |
| | Surface Hardness | 3H |
| | Durability | 1 million times |
| Environment | Operating Temperature | -10 ~ 60 °C |
| | Storage Temperature | -30 ~ 70 °C |
| | Humidity | 10 ~ 90% @ Max. 38 °C, non-condensing |

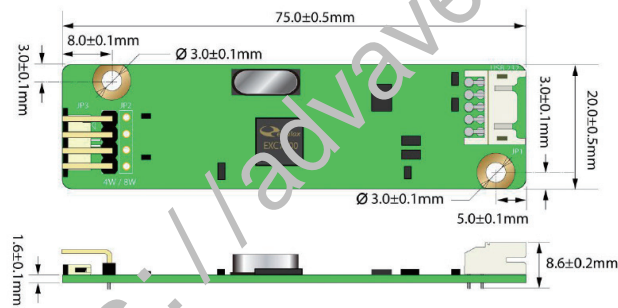
Dimensions

Unit: mm



Note: Tolerances unless marked are ±0.5mm

Touch Controller



Ordering Information

| Part No. | Size | Brightness (cd/m ²) | Interface | Touch screen | Touch Interface |
|------------------|------|---------------------------------|-----------|------------------|-----------------|
| IDK-1106R-80VGA1 | 6.5" | 800 | LVDS | 4-wire Resistive | USB |

Packing List

| Part Number | Description |
|-------------|------------------------------------|
| 9680002154 | 1 x 4-wire USB Touch controller |
| 1700004131 | A Cable 1 x 10P-2.0/USB-A(M) 180CM |
| 1700005912 | A Cable 2 x 4P-2.54/1*4P-2.54 10CM |

Note: Package contents are subject to change without prior notice

Optional Order

| SBC Part No. | LVDS Cable Part No. | Display Interface | B/L Cable Part No | Touch Interface | Touch Power Input |
|--------------|---------------------|-------------------|-------------------|-----------------|-------------------|
| MIO-5270 | 96CB-L2040PAA4 | 18bit LVDS | 96CB-E0605PAA3 | USB | 5 V |
| AIMB-270 | 96CB-L2040PAA4 | 18bit LVDS | 96CB-E0605PAA3 | USB | 5 V |

For more compatible embedded board solution, please visit our Build Your display web page as bellow
<http://www.advantech.com/buildyourdisplay>