

# DSD-5038

## 38" Industrial Stretched Signage Display

NEW



### Features

- 38" High Resolution Stretched Display (1920 x 538) with LED backlight
- High brightness of 800 nits
- Wide viewing angle (176/176)
- 0 ~ 45° C operating temperature
- Signal interface with VGA/DVI/HDMI
- Audio phone jack output
- Wall mounting interface 200x100mm
- Fanless design



### Introduction

The Advantech DSD-5038 series Stretched Signage Display Monitor is with innovative size/shape and resolution of the display. The Stretch Display is ideal used for Public Information Display, the ultra wide aspect ratio is perfect for grabbing audience's attention, and the high resolution display gives perfect visual performance in wide variety of applications such as Public Transport Display, Call center, Bar, Digital Signage, Casino, and elevators. The monitor is designed with industrial grade components to ensure the highest standards of reliability are met.

### Specifications

Display	Model	DSD-5038N-80A-E
	Size	38" Stretched LED panel
	Resolution	1920 x 538
	Viewing Angle	176° (H)/176° (V)
	Brightness	800 (cd/m <sup>2</sup> )
	Color Support	16.7M colors
	Contrast Ratio	4000:1
	Response Time	9.5 (gray-to-gray) [msec]
	Backlight Life (hrs)	50,000 hrs
Environment	Operating Temperature	0 ~ 45° C
	Storage Temperature	-10 ~ 60° C
	Humidity	80 %RH Max. (Ta ≤ 45° C), non-condensing
System	I/O	HDMI x 1; VGA x 1; DVI-D x 1; RS232 x 1 (reserved for remote control); Audio x 1; 24 V <sub>DC</sub> Jack (input) x 1; 12 V <sub>DC</sub> Jack (output) x 1
	OSD	Keys: Source/Enter, Menu, Up, Down, Left, Right, Power on/of
	Power	120 W power adapter, with AC 100 ~ 240 V input and DC +24V @ 5 A output
Power Consumption	ON	76W (Typical); Max <80W
	Standby	3W (Typical); Max <5W
Mechanical	Net Weight	6.4 Kg
	Gross Weight	10.4 Kg
	Dimension	980.9 x 303.2 x 44.4 mm
	Packing	1152 x 180 x 407 mm
	VESA Mounting	200 x 100 (mm)

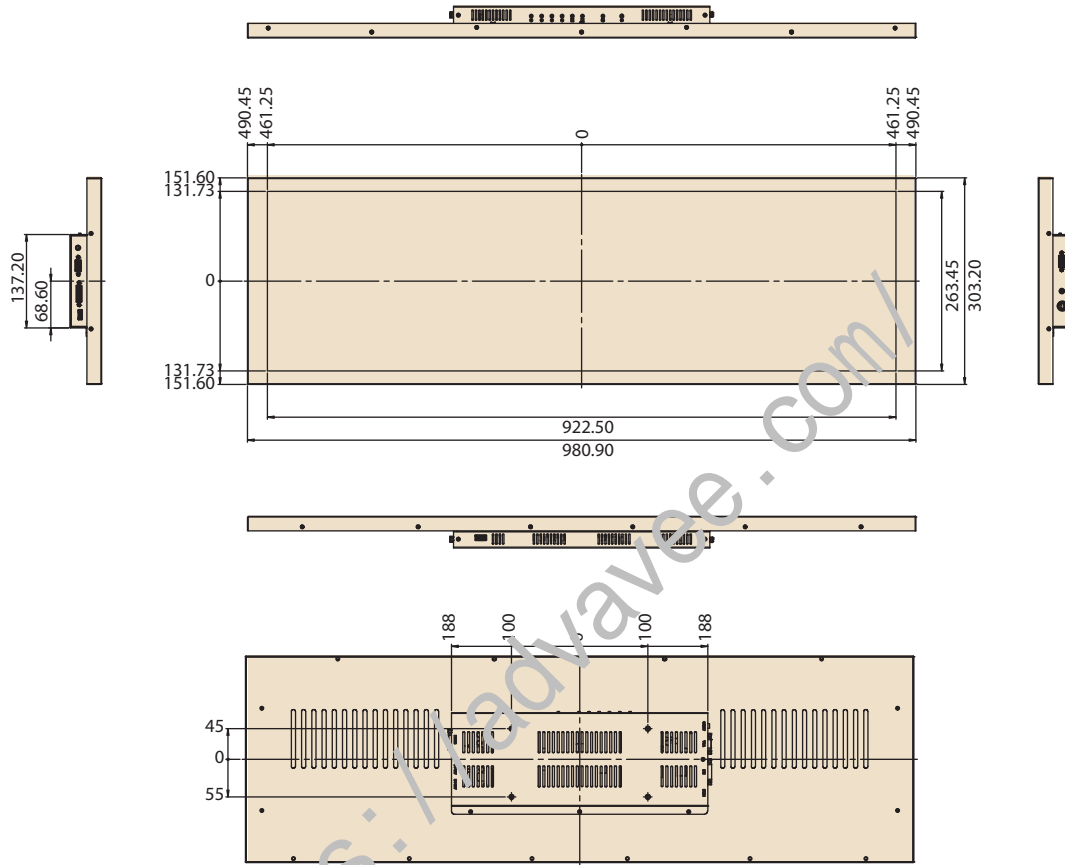
\*Recommend:

(1) Recommended resolution: 1920 x 538

(2) Operating System: Microsoft Windows 7/ Windows 8

## Dimensions

Unit: mm



## Packing List

### Description

DVI cable 2.0 meter  
Adaptor AC100-240V 120W +24V/5A

## Ordering Information

### Model Name

DSD-5038N-80A1E

### Description

38" 1920 x 538 800cd/m<sup>2</sup> Stretched Signage Display

## Optional Items

### Part Number

1700001524  
170203183C  
1700008921  
1700019430  
1700091800  
1700023591-01

### Description

3-Pin Power Cord (USA)  
3-Pin Power Cord (EU)  
3-Pin Power Cord with PSE (Japan)  
VGA cable 15P(M) 1.8 meter  
Cable 9P/9P 1.8M M/F (RS232)  
HDMI cable 1.2 m (3.93 ft)

## Recommend Signage Media Player

### Part Number

ARK-DS306  
ARK-DS520

### Description

AMD G-Series Signage Media Player  
Advanced (ION2 based) Graphics Signage Media Player