

# DSD-3032

## 32" F-HD Digital Signage & Touch Monitor

NEW



### Features

- 32" LCD supports F-HD resolution 1920 x 1080
- High brightness of 350 cd/m<sup>2</sup>
- Backlight: LED
- High contrast ratio of 3000:1
- Low power consumption 70 W
- Quick response time 8 ms
- Wide viewing angle 178 / 178 degrees
- Speaker: 10W x 2
- Backlight life time : 50000 hrs
- Display colors: 16.7 M colors
- Optional Touch: Optical touch , multi-touch

### Introduction

The Advantech DSD-3032 series comes with a 32" 350 cd/m<sup>2</sup> industrial grade digital signage monitor. The series is also available with flexible optional stand base & optical touch. DSD-3032 series supports 3000 :1 high contrast ratio with low power consumption at the maximum consumption of 70W. DSD-3032 provides superior performance for semi-outdoor or indoor applications.

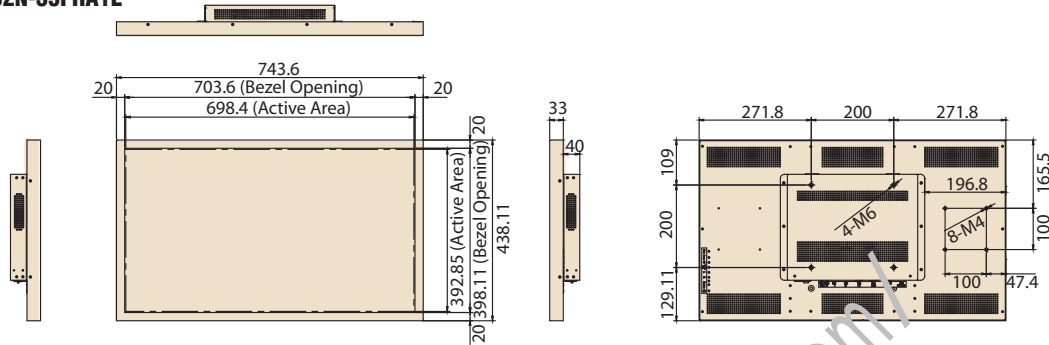
### Specifications

	Model	DSD-3032N-35FHA1E	DSD-3032T-35FHA1E	
Display	Display Size	32" LED backlight panel	32" LED backlight panel	
	Resolution	1920 x 1080 ( F-HD )	1920 x 1080 ( F-HD )	
	Viewing Angle (U/D/L/R)	89°/89°/89°/89°	89°/89°/89°/89°	
	Brightness	350 (cd/m <sup>2</sup> )	350 (cd/m <sup>2</sup> )	
	Contrast Ratio	3000 : 1	3000 : 1	
	Response Time (ms)	8	8	
	Colors	16.7M	16.7M	
	Backlight Life (hrs)	50,000 hrs	50,000 hrs	
	System	Power input	100~240 V	100~240 V
		Consumption	70 W	70 W
Interface		VGA, HDMI, Display Port	VGA, HDMI, Display Port	
OSD control function		RS-232, RS-485, remote control	RS-232, RS-485, remote control	
OSD Language		Simplified Chinese, Traditional Chinese, English, Japanese, French, German, Spanish		
Source auto Detect		Yes	Yes	
Environment	Operating Temperature	5 ~ 45° C		
	Storage Temperature	-20 ~ 55° C		
	Humidity	20 ~ 80%RH		
Mechanical	Net weight	14 Kg	16.6 Kg	
	Gross Weight	17 Kg	20 Kg	
	Dimension (mm)	743.6 x 438.11 x 73	774.4 x 491.8 x 79.9	
	Packing (mm)	895 x 610 x 200	895 x 610 x 200	
	VESA Mounting	200 x 200 (mm)	200 x 200 (mm)	
Optional Touch	Interface	N/A	USB 2.0	
	Touch type	N/A	Optical touch	
	Multi touch	N/A	2 points	

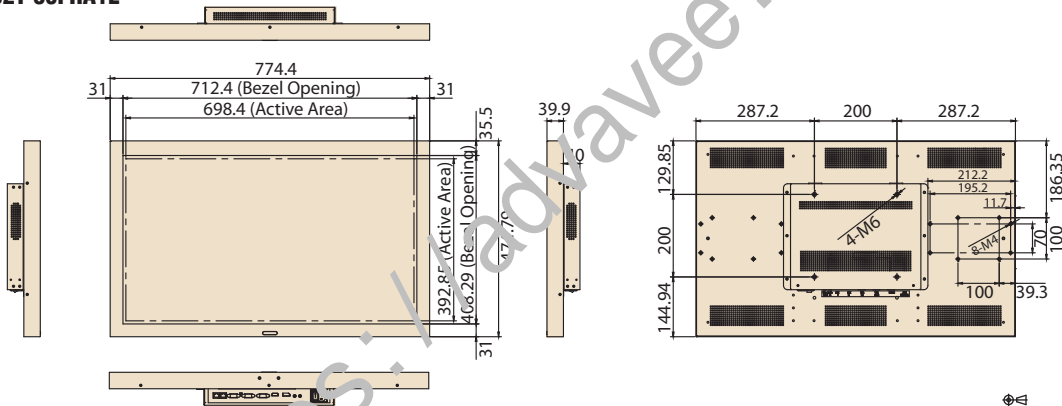
## Dimensions

Unit: mm

### DSD-3032N-35FHA1E



### DSD-3032T-35FHA1E



## Ordering Information

Part No.	Size	Brightness (cd/m <sup>2</sup> )	Interface	Touch screen	Touch Interface
DSD-3032N-35FHA1E	32"	350	VGA, HDMI, Display Port	N/A	N/A
DSD-3032T-35FHA1E	32"	350	VGA, HDMI, Display Port	Optical touch	USB

## Packing List

Item Name	Description
HDMI cable	1.8 M
US Power Cord	1.8 M
USB cable	1.8 M
Remote Control	IR remote controller

## Optional Items

Part Number	Description
1700000596	China Power Cord
1700018705	Europe Power Cord
1702031801	Power cable UK Plug 1.8 M